

New Dimension



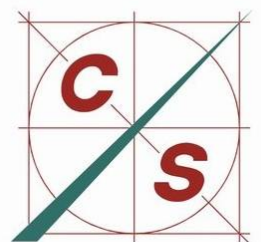
Staircase-Software Programs

Version CAD-ND

Article no. 00119401



constructing/presenting

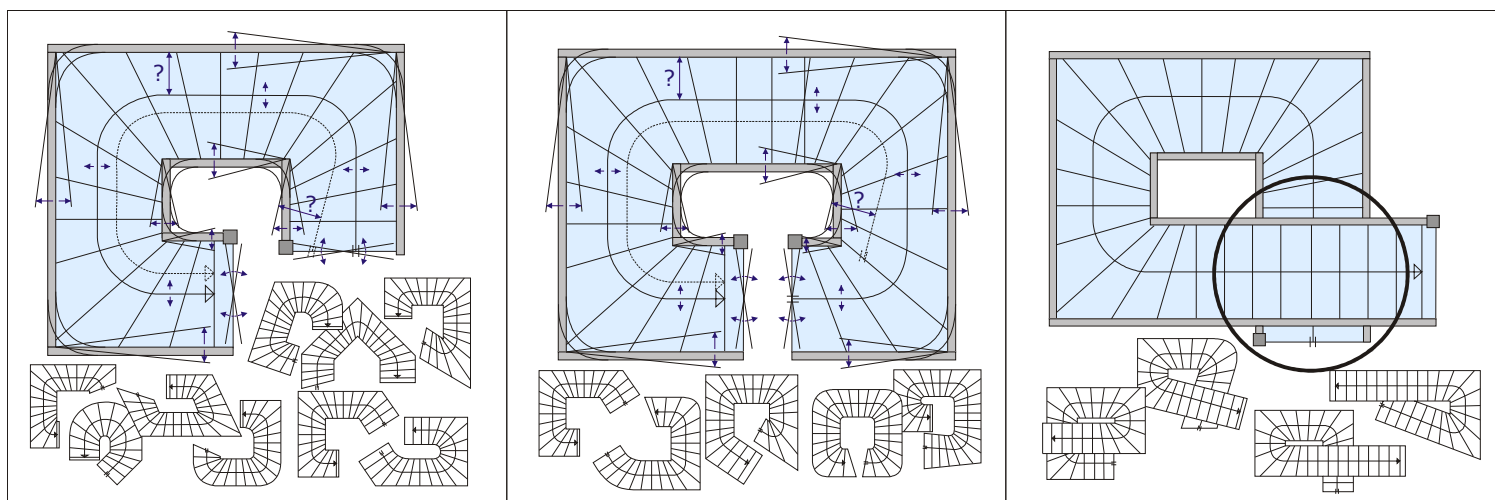
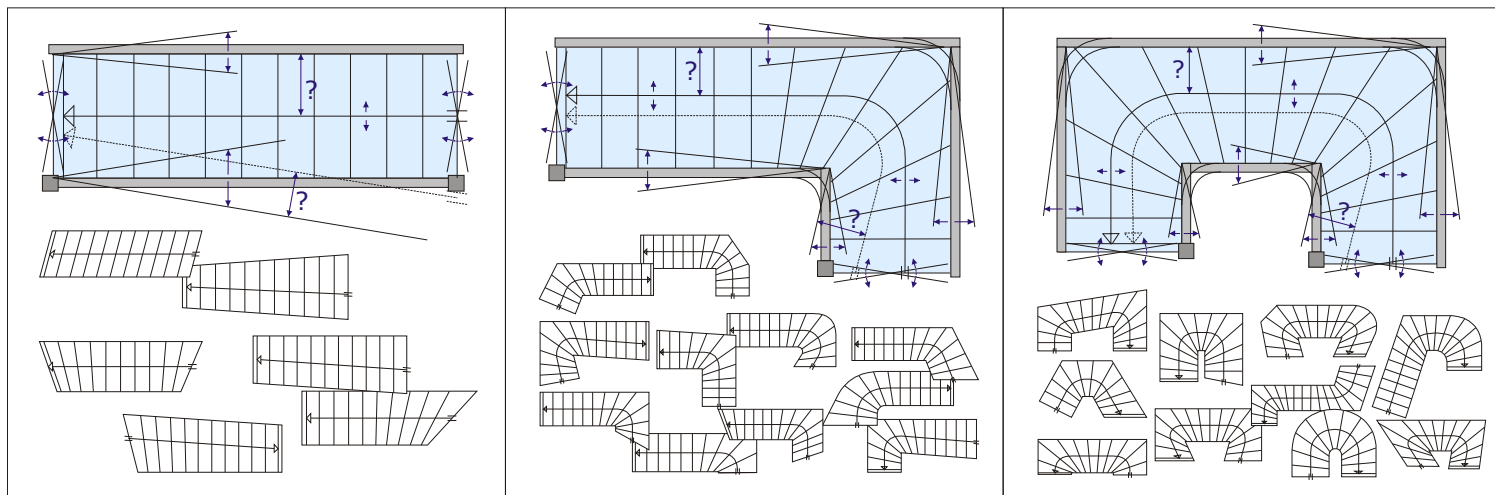


Compass Software

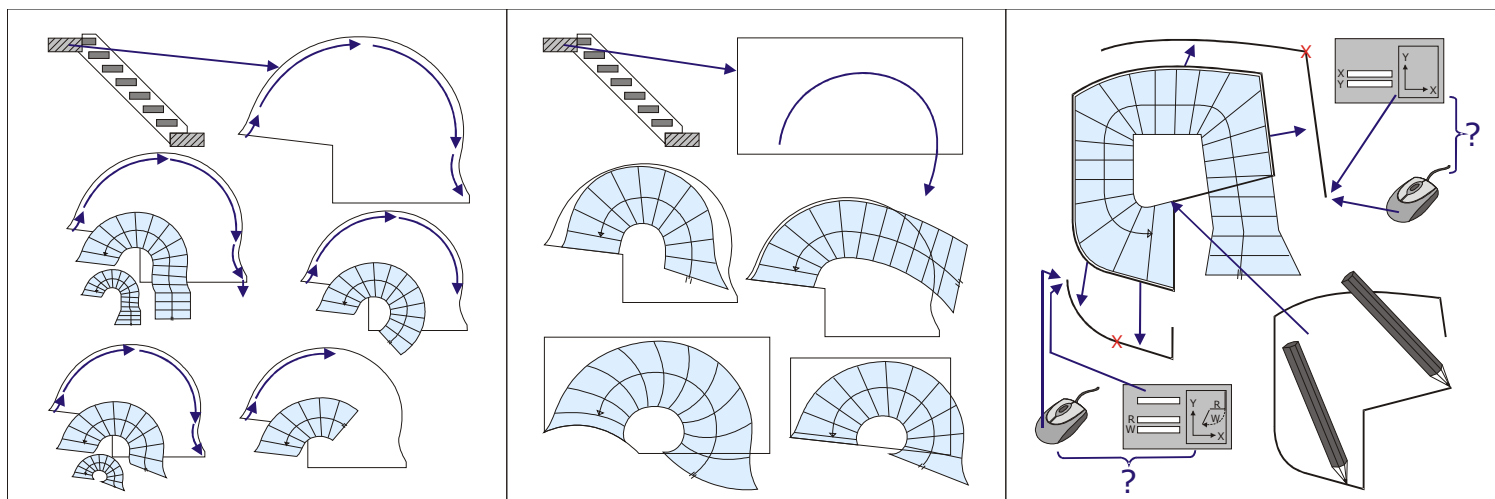
Software for staircase manufacturing

Version CAD-ND

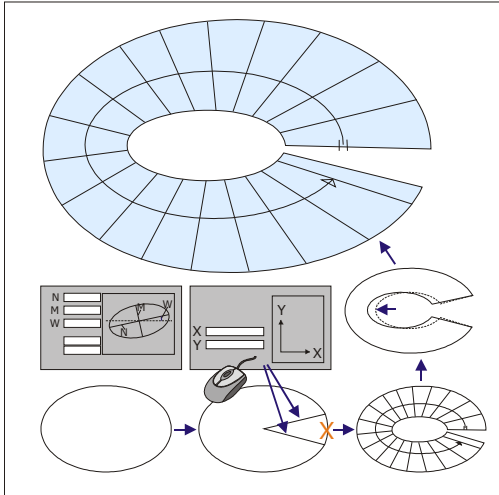
Ground plan / Ground plan standard



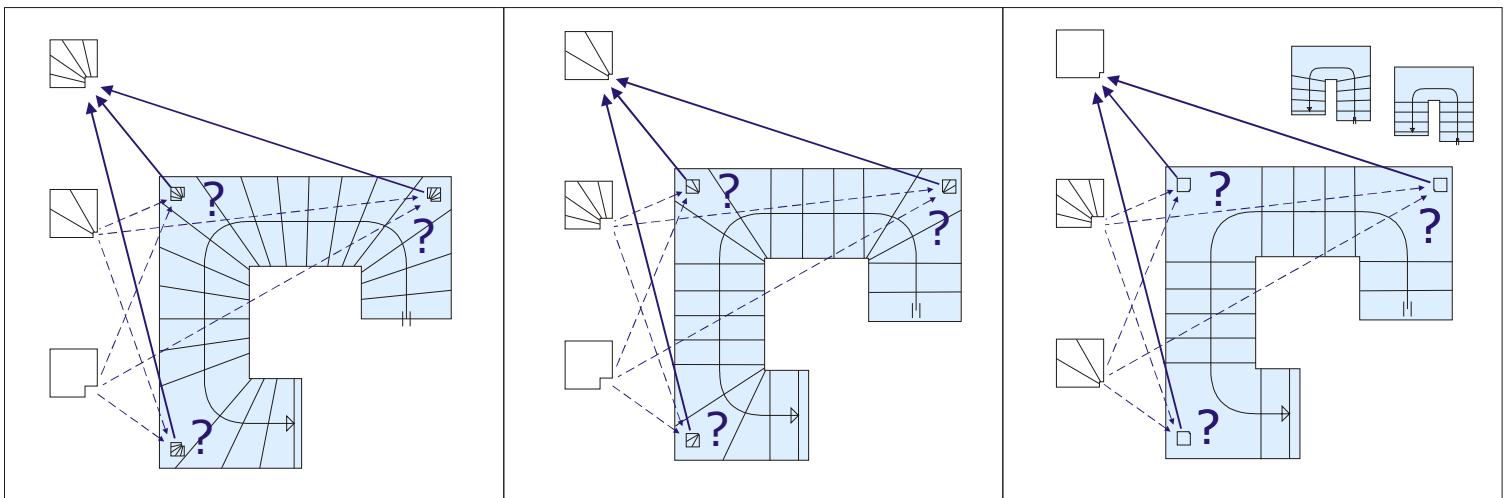
Ground plan / Ground plan freeform



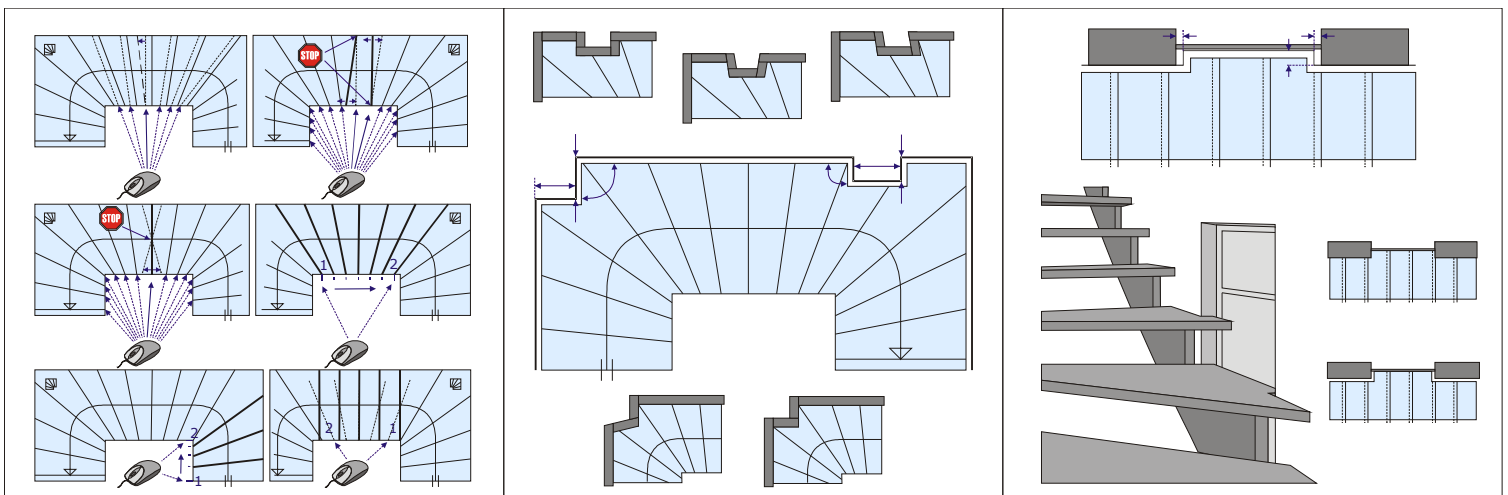
Version CAD-ND



Ground plan / Type in corner

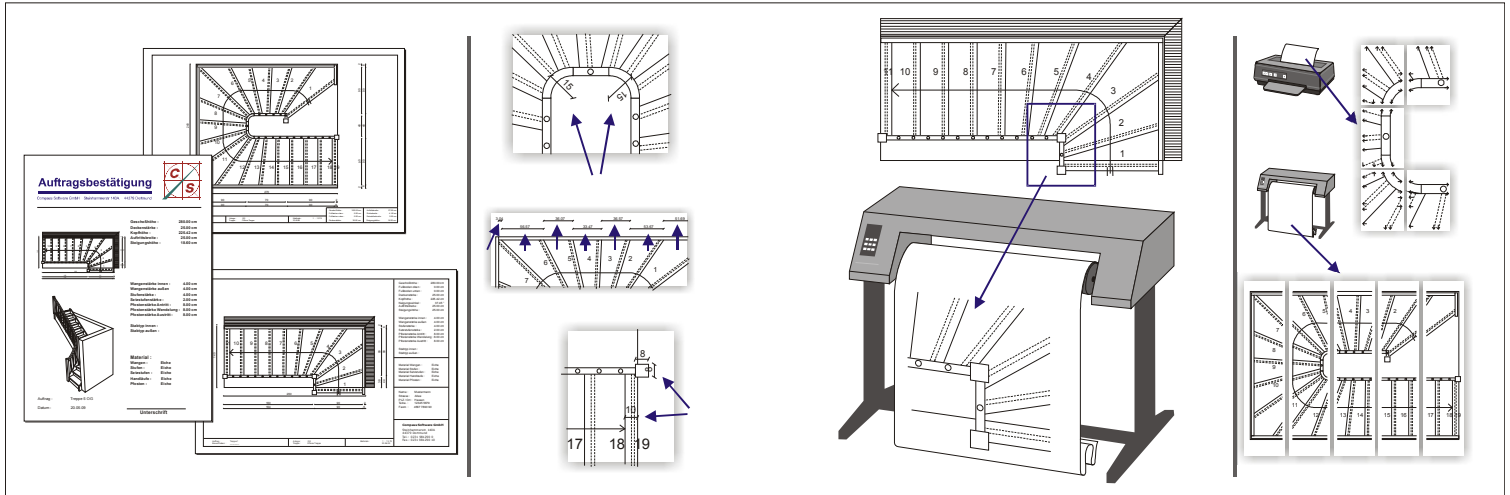


Ground plan / Details

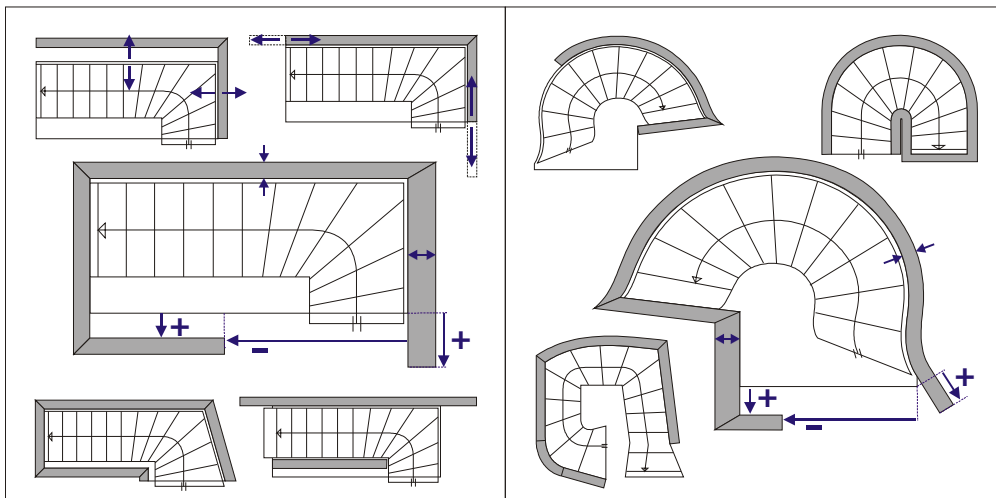


Version CAD-ND

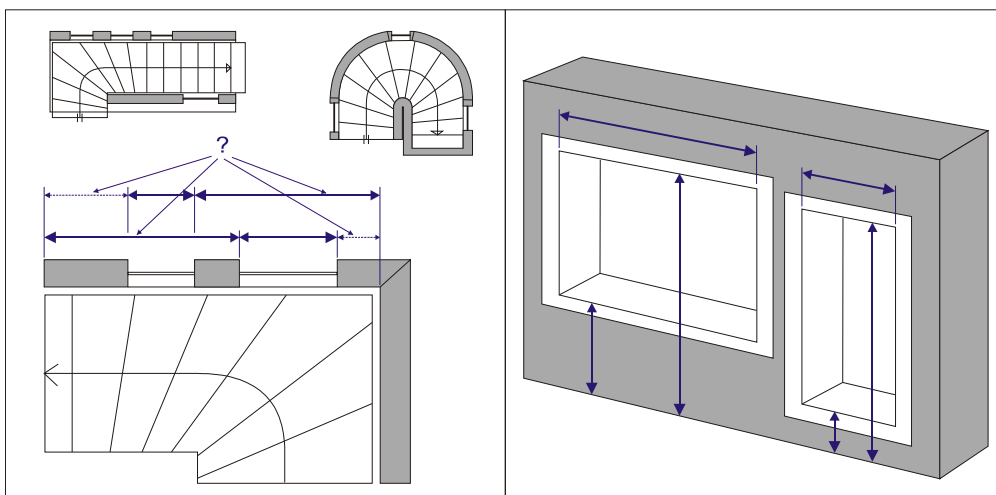
Ground plan / Output



Walls / Walls

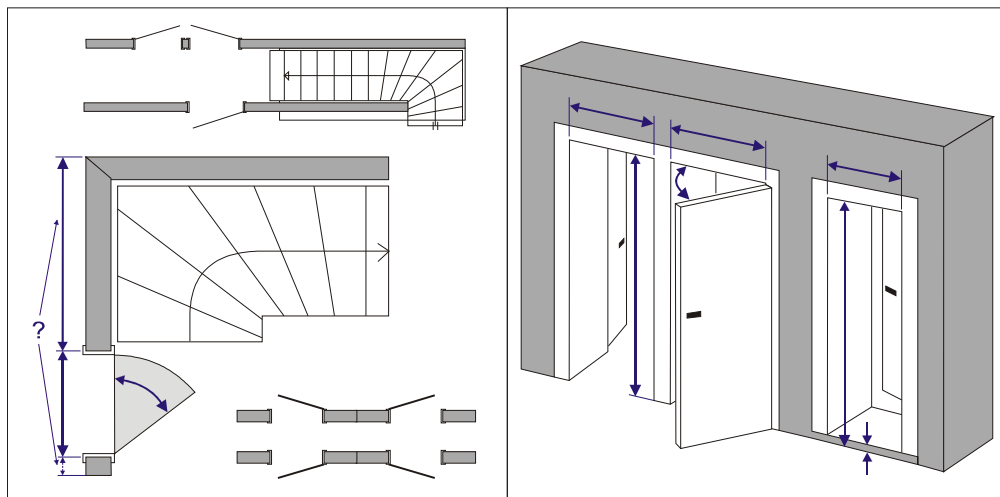


Walls / Windows

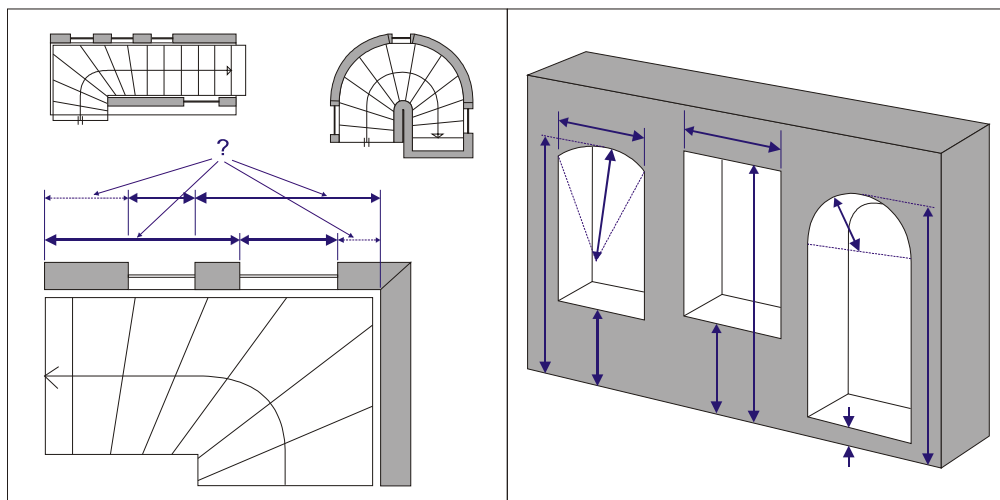


Version CAD-ND

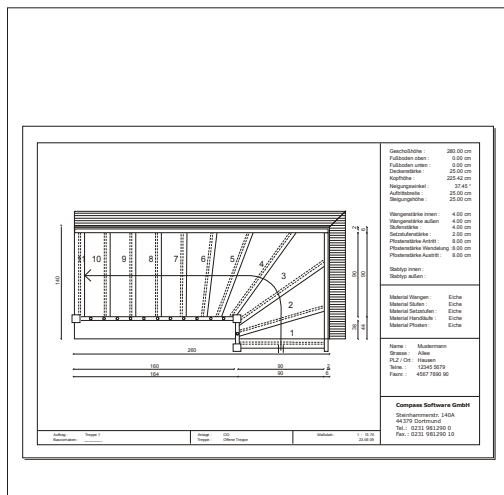
Walls / Doors



Walls / Wall opening

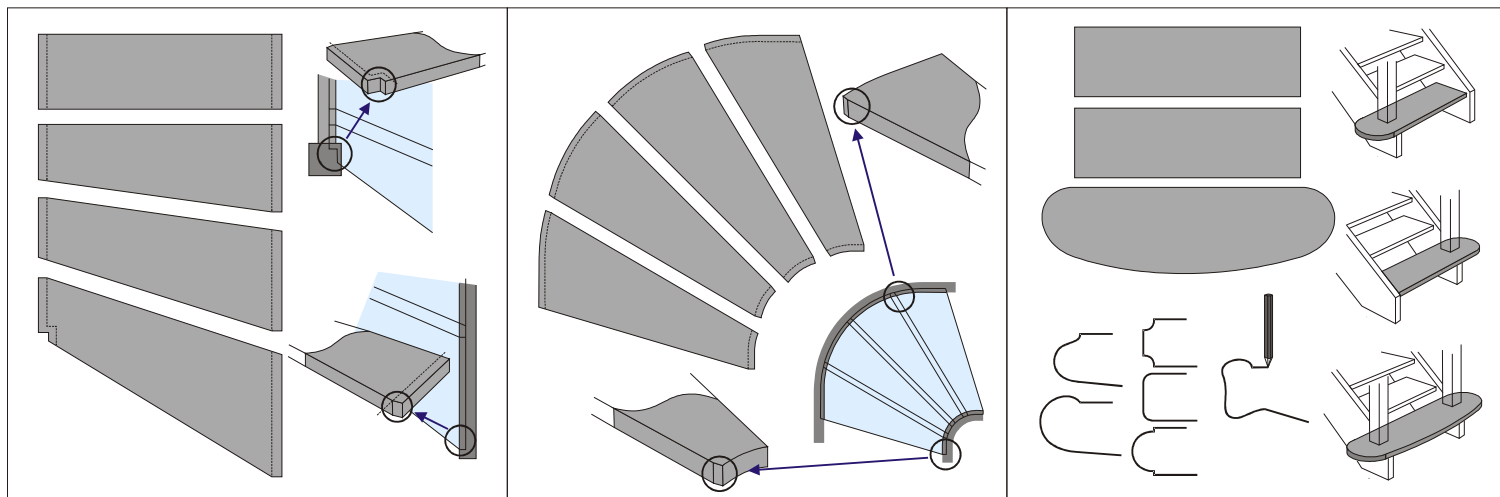


Walls / Output

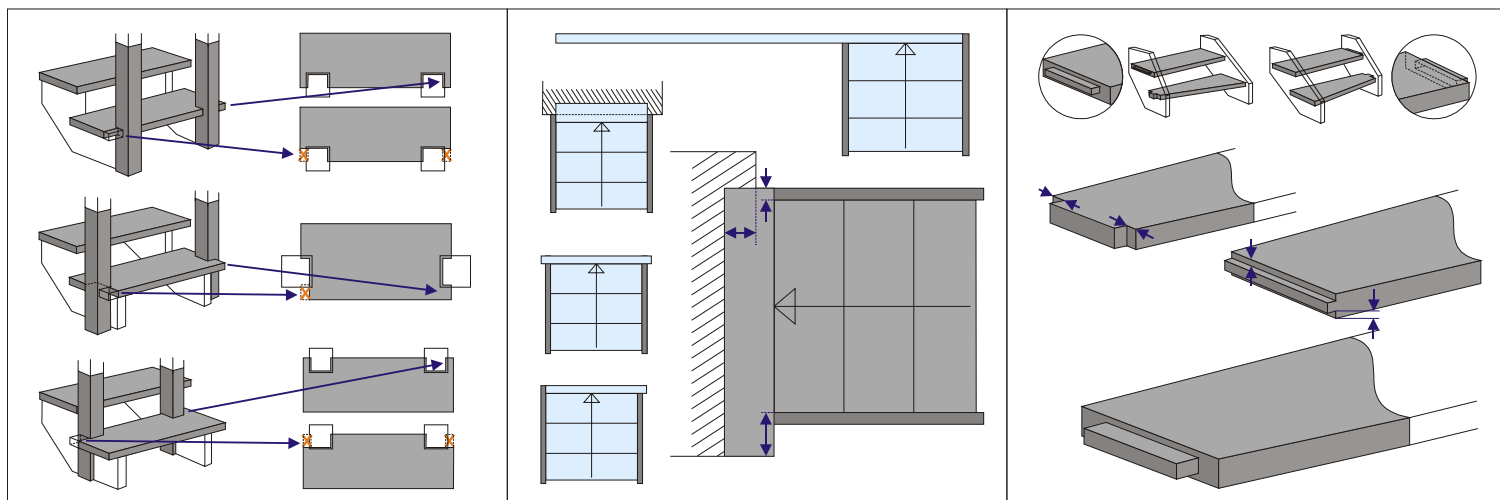


Version CAD-ND

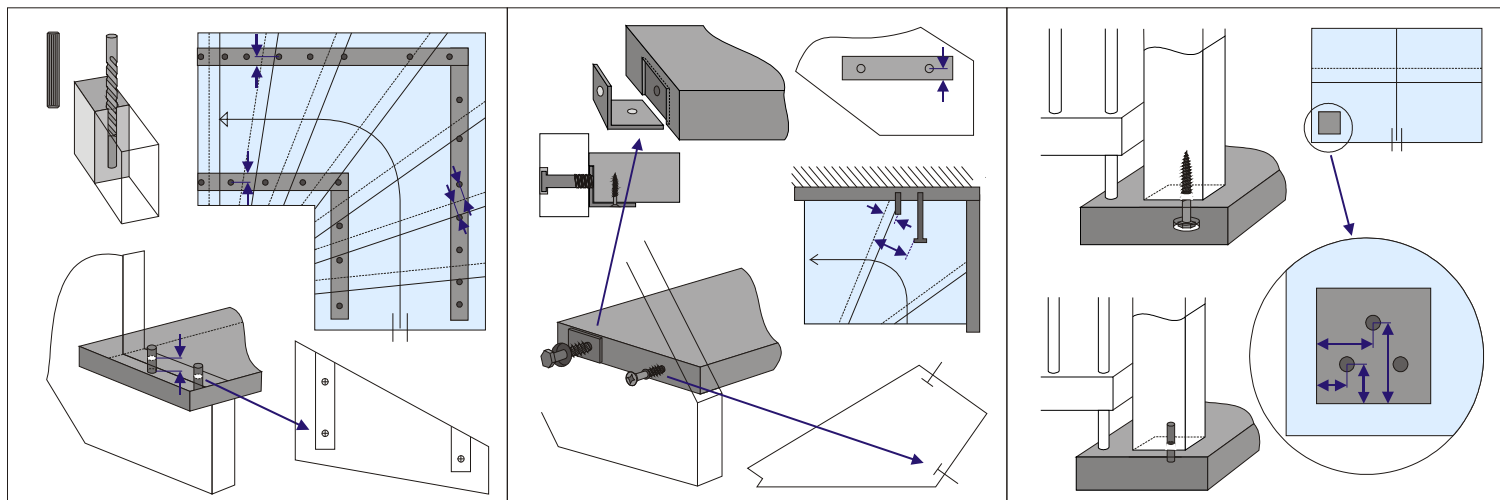
Treads / Type



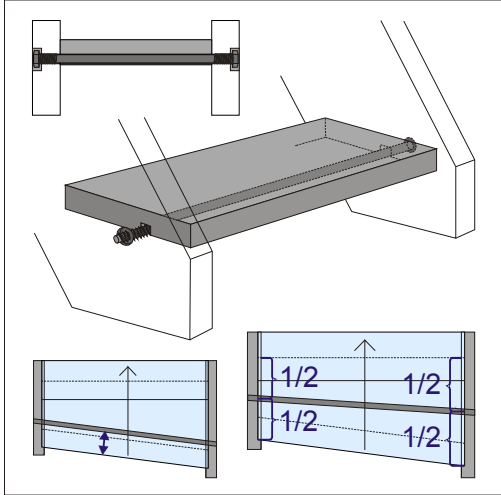
Treads / Details



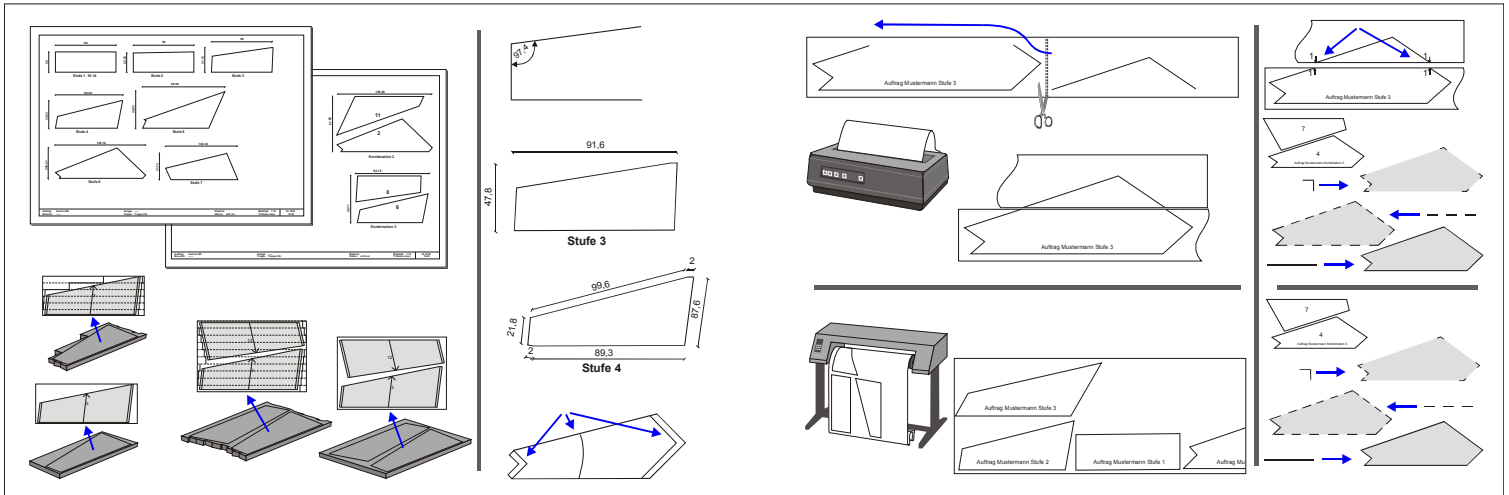
Treads / Drillings



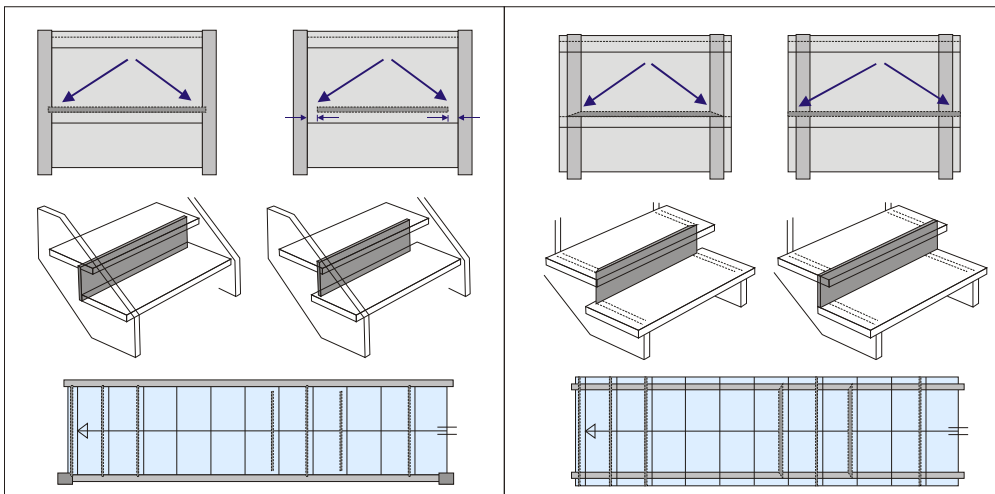
Version CAD-ND



Treads / Output

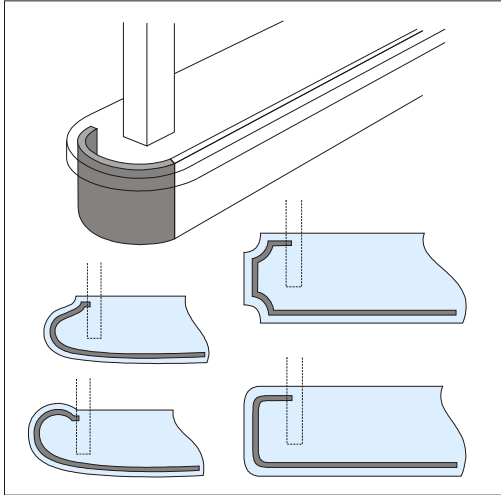


Risers / Type

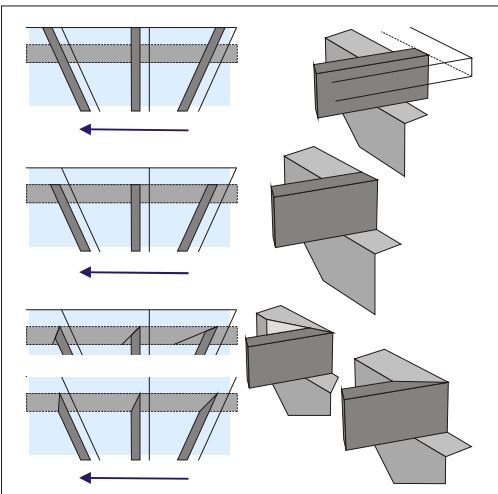
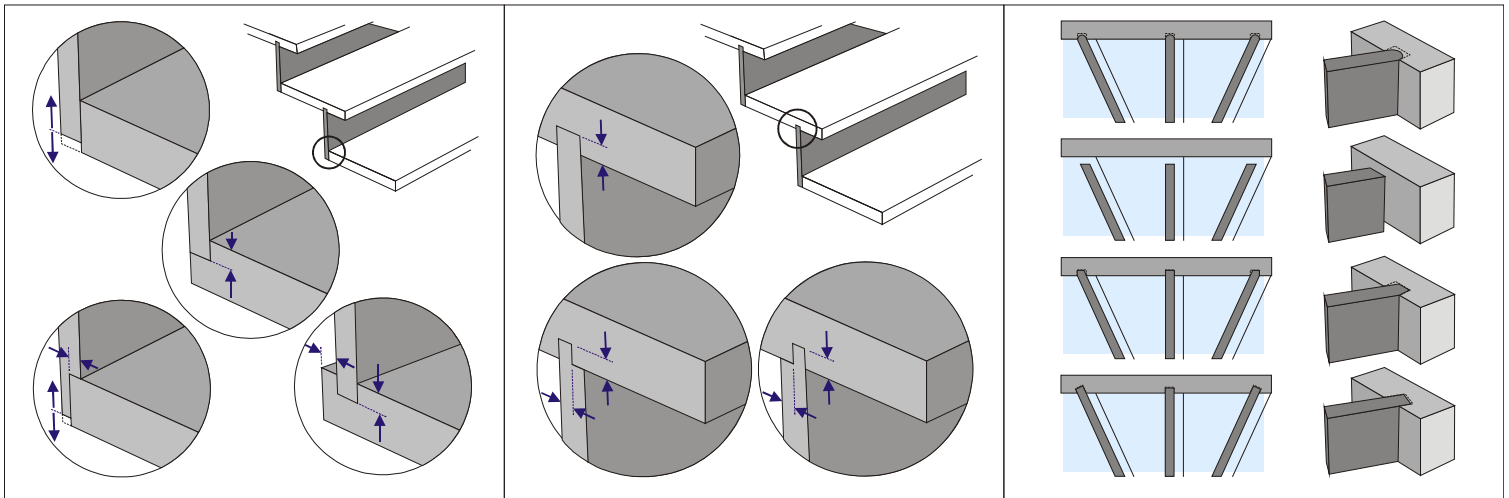


Version CAD-ND

Risers / Details

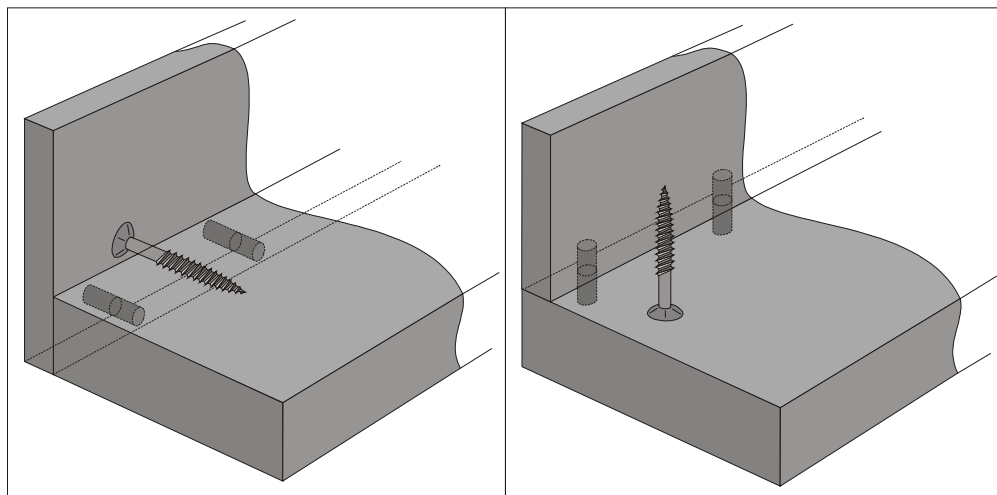


Risers / Connection



Version CAD-ND

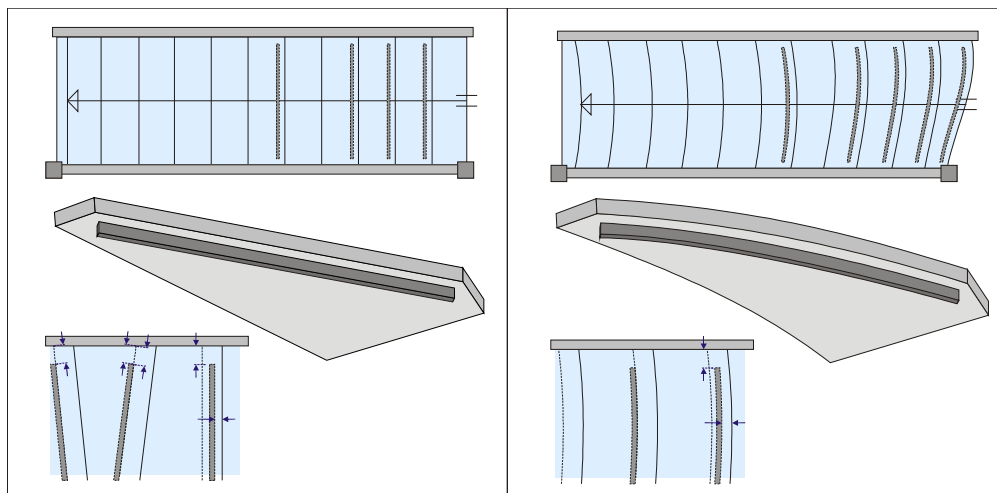
Risers / Drillings



Risers / Output

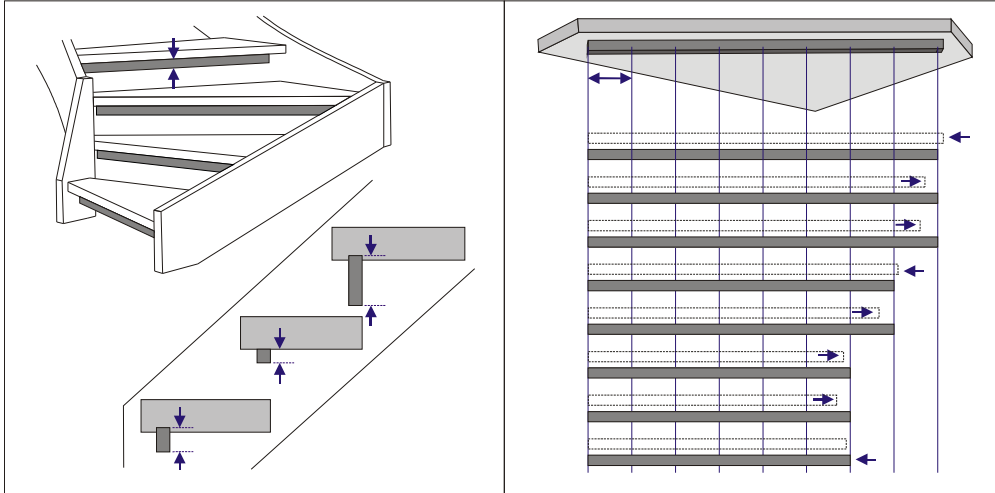
Setzstufe	Länge	Breite	Stärke	Material
1	96.00	14.67	2.00	Eiche
2	96.00	18.67	2.00	Eiche
3	96.00	18.67	2.00	Eiche
4	96.00	18.67	2.00	Eiche
5	102.15	18.67	2.00	Eiche
6	118.13	18.67	2.00	Eiche
7	118.47	18.67	2.00	Eiche
8	95.00	18.67	2.00	Eiche
9	118.90	18.67	2.00	Eiche
10	144.30	18.67	2.00	Eiche
11	117.94	18.67	2.00	Eiche
12	102.07	18.67	2.00	Eiche
13	96.00	18.67	2.00	Eiche
14	96.00	18.67	2.00	Eiche

Child protection lists / Type

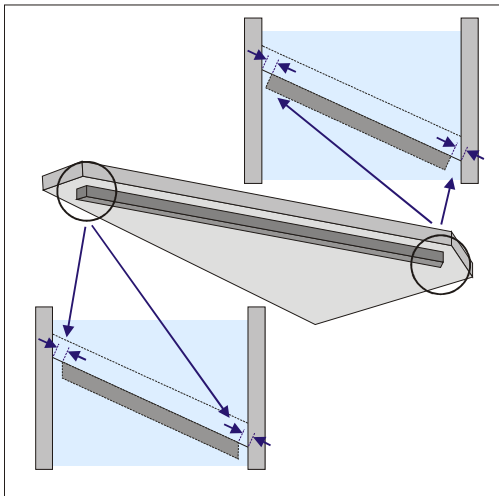


Version CAD-ND

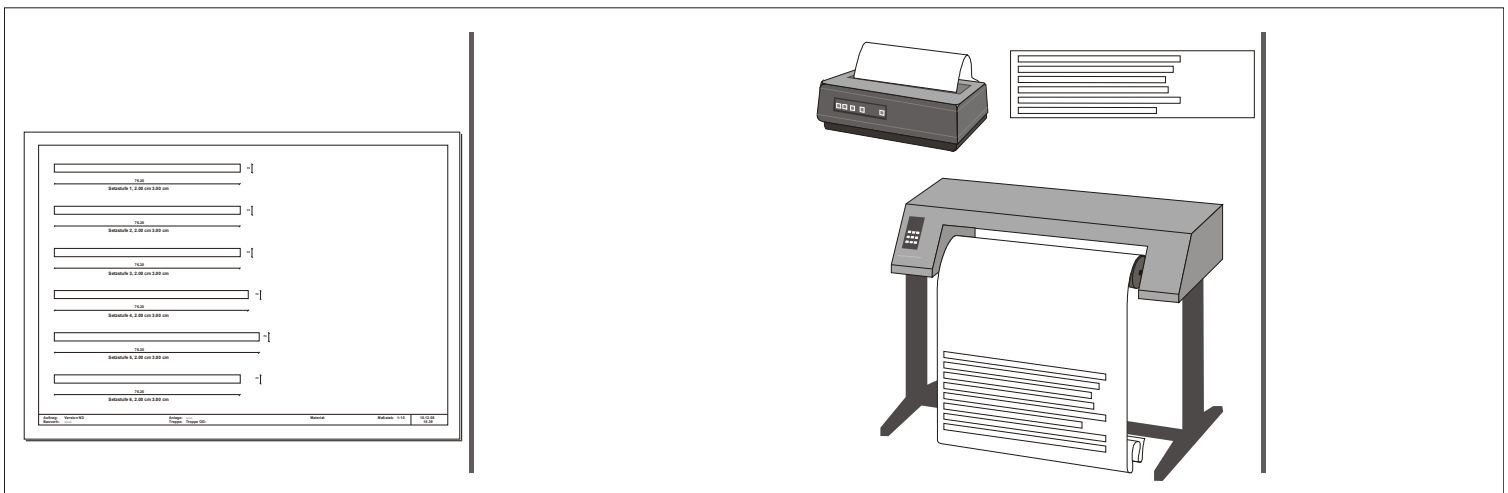
Child protection lists / Details



Child protection lists / Connection

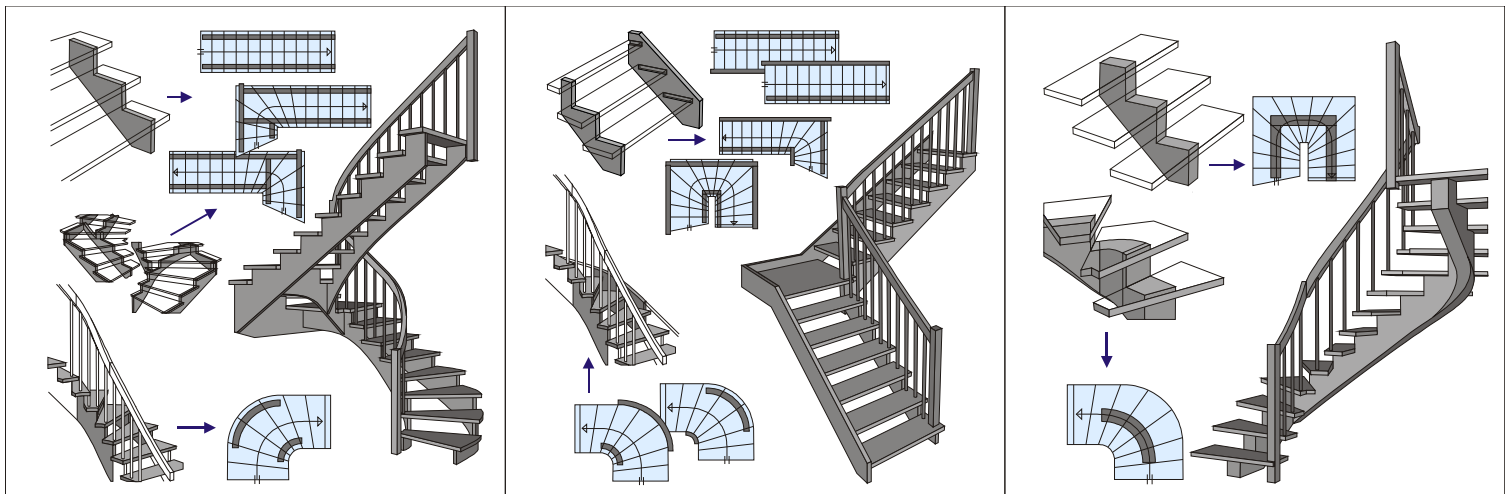
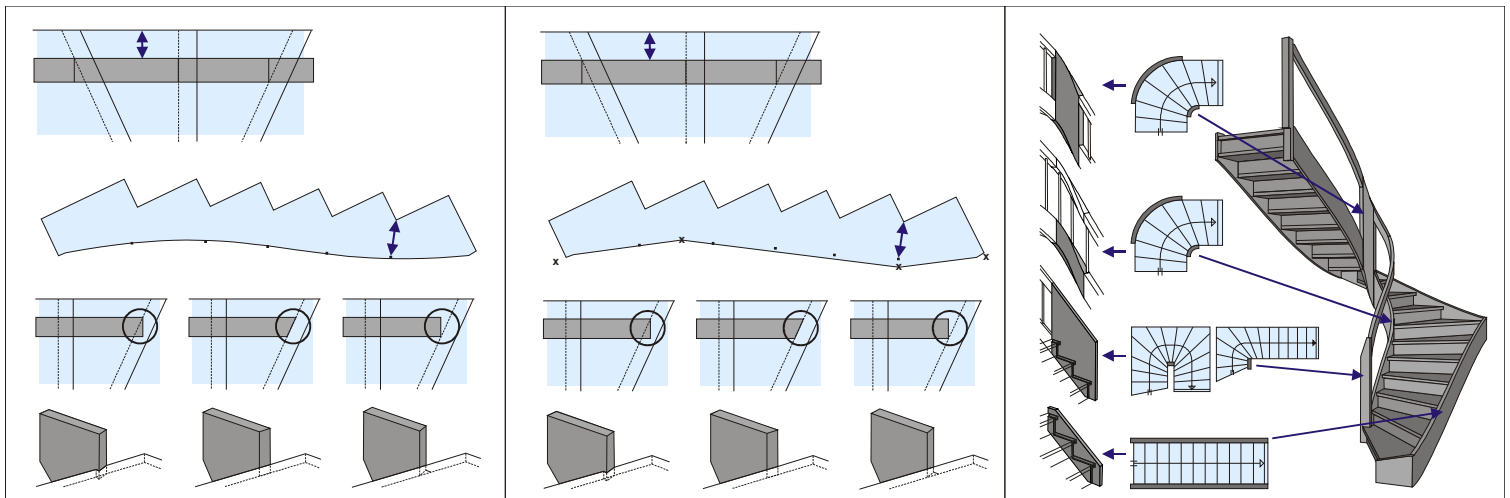
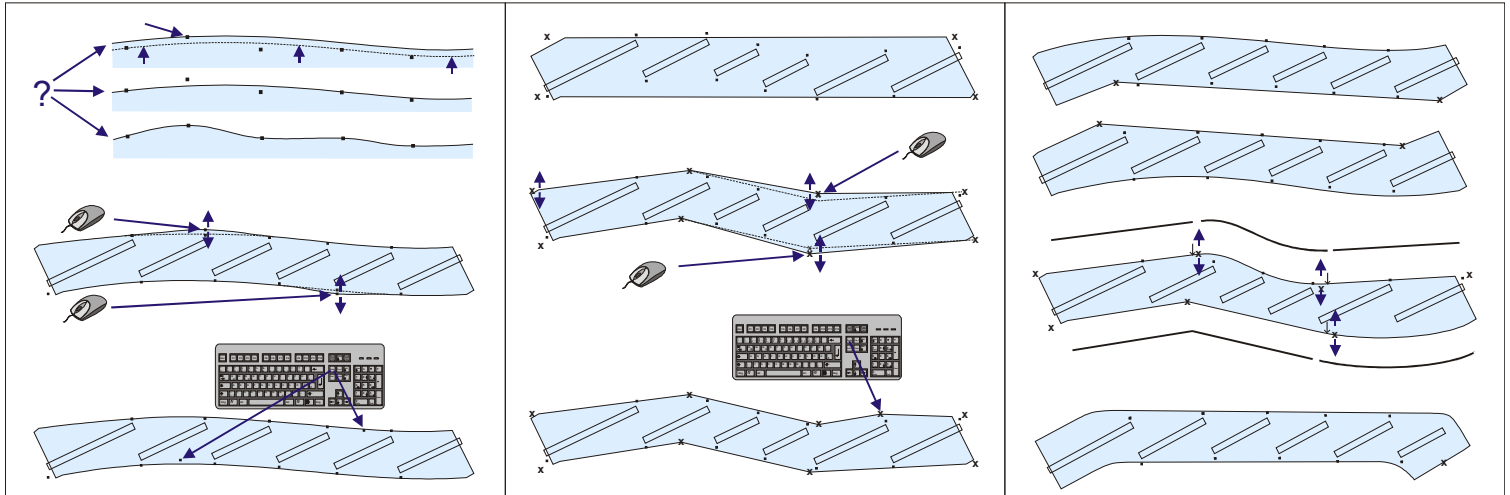


Child protection lists / Output



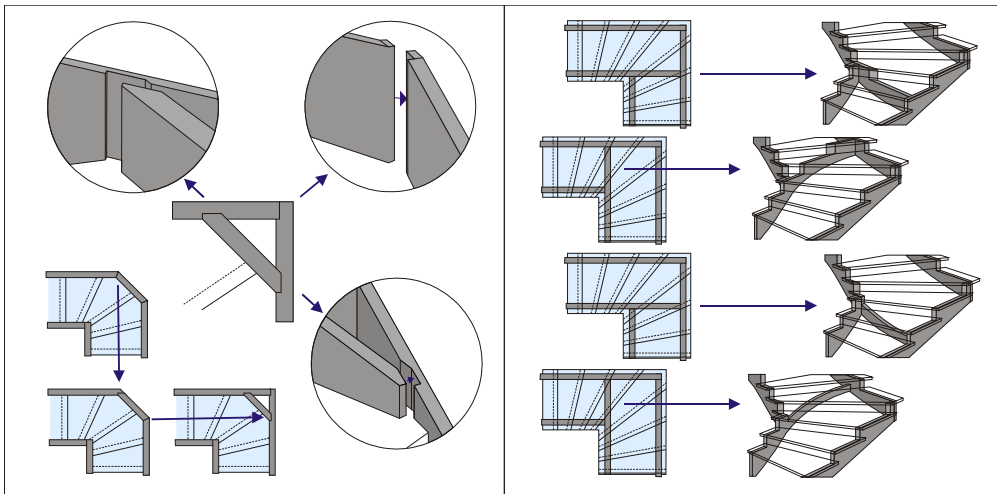
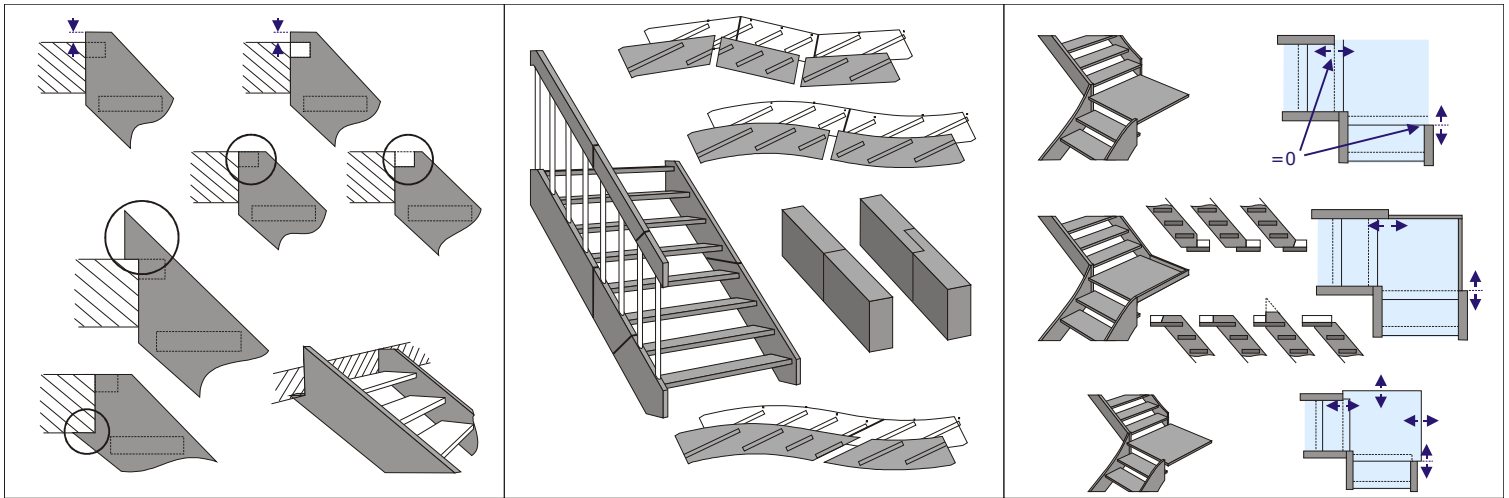
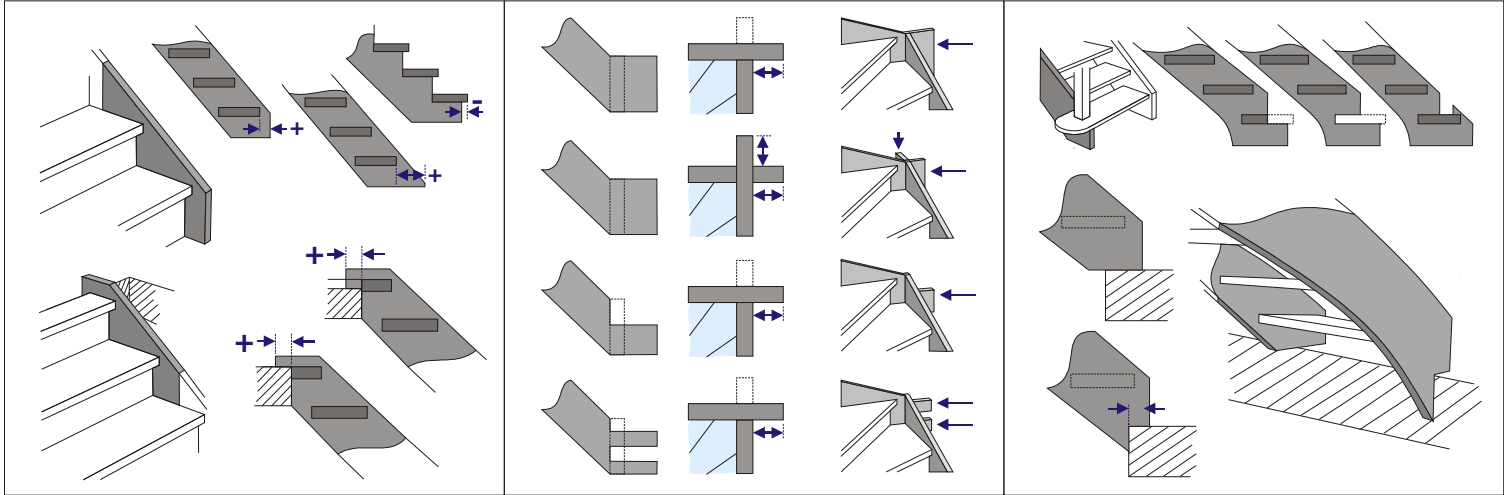
Version CAD-ND

Stringers / Type



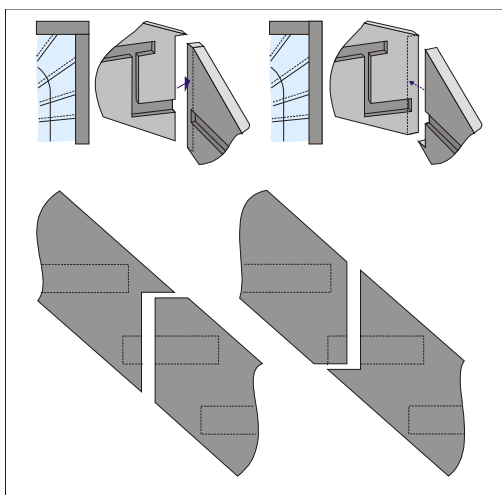
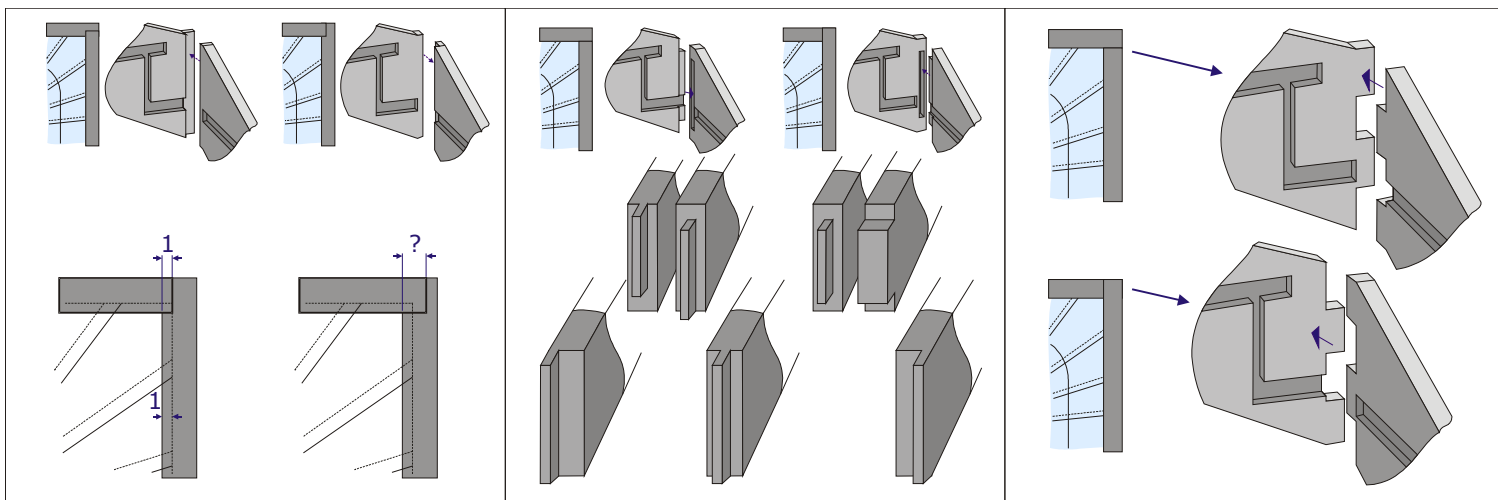
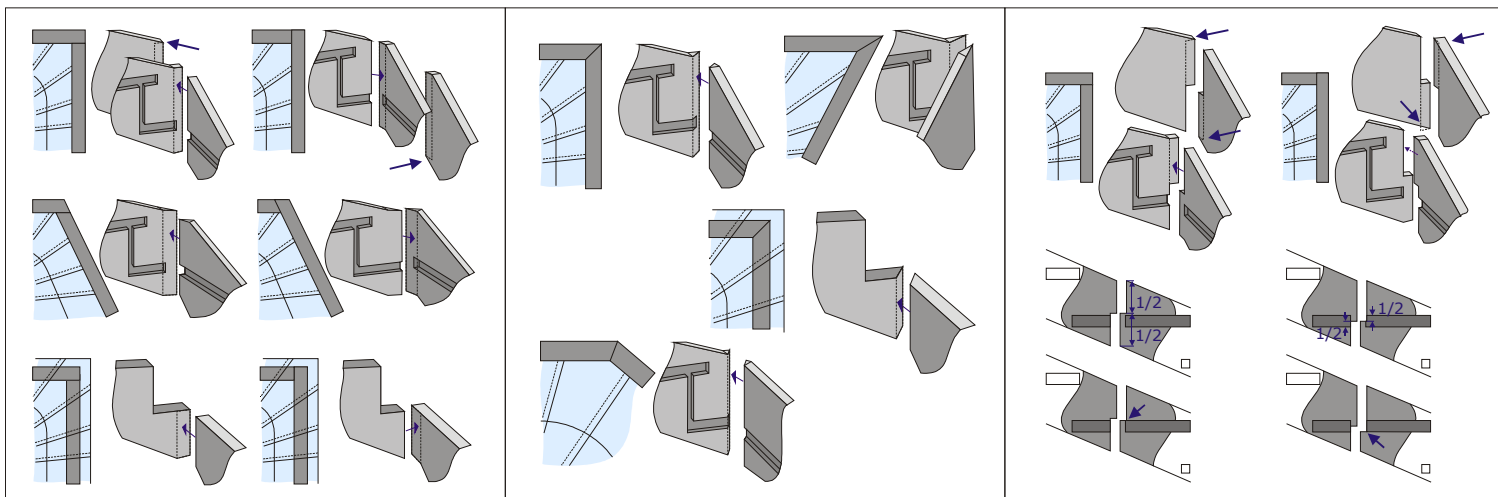
Version CAD-ND

Stringers / Details



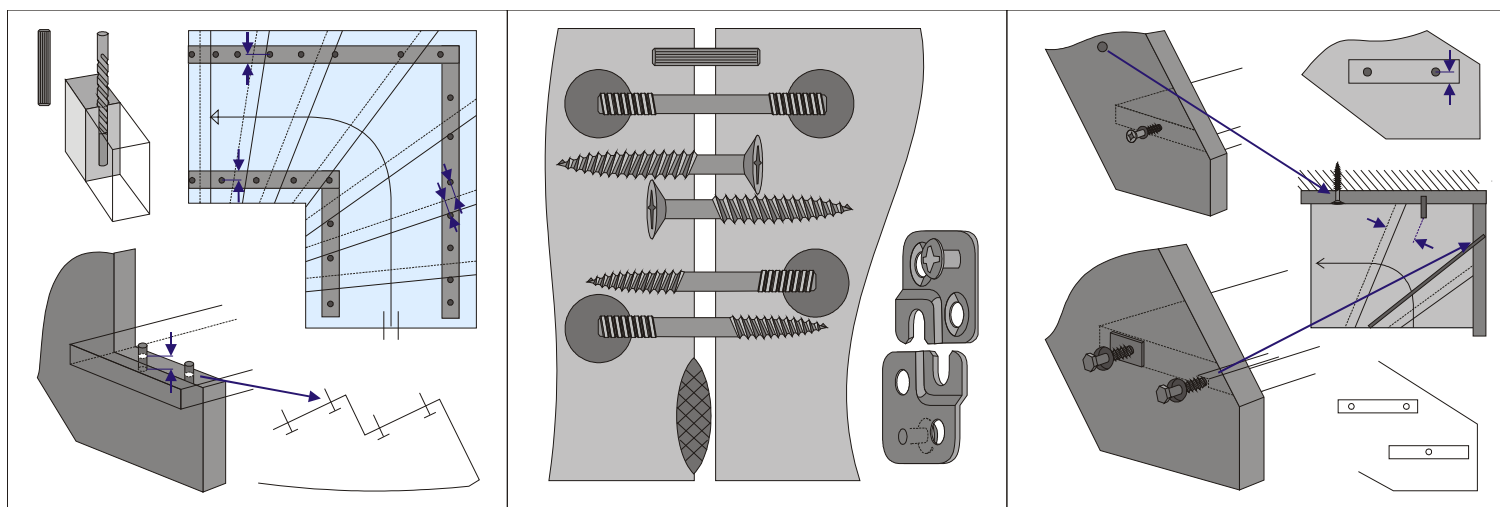
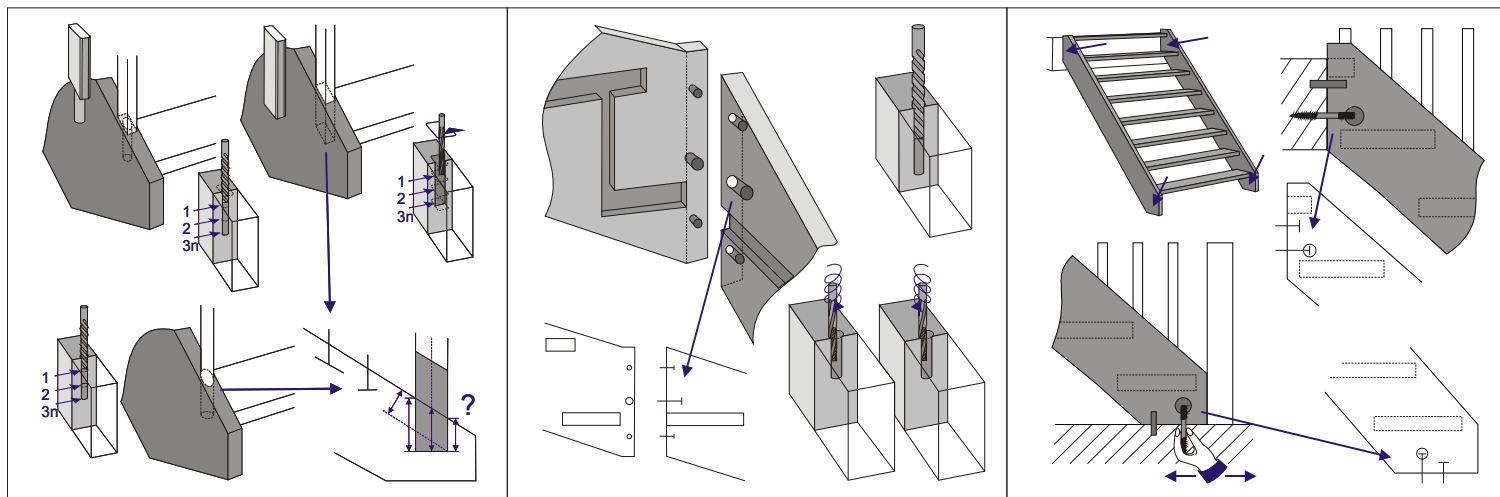
Version CAD-ND

Stringers / Connection

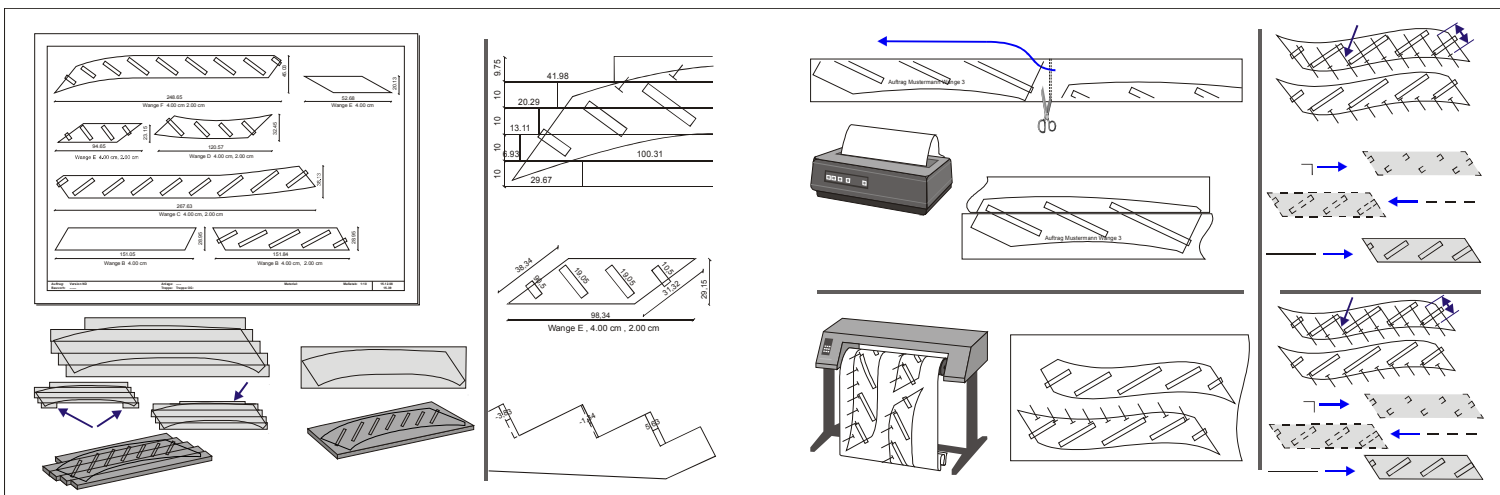


Version CAD-ND

Stringers / Drillings

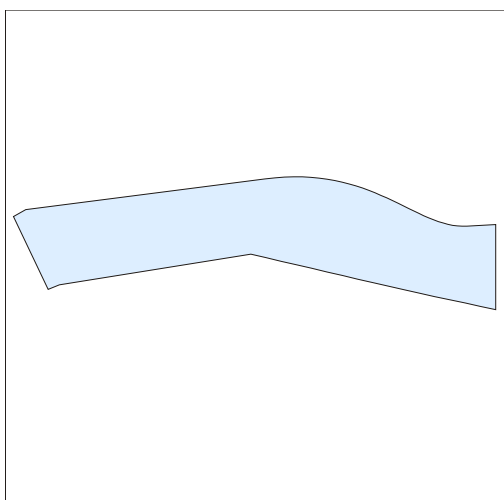
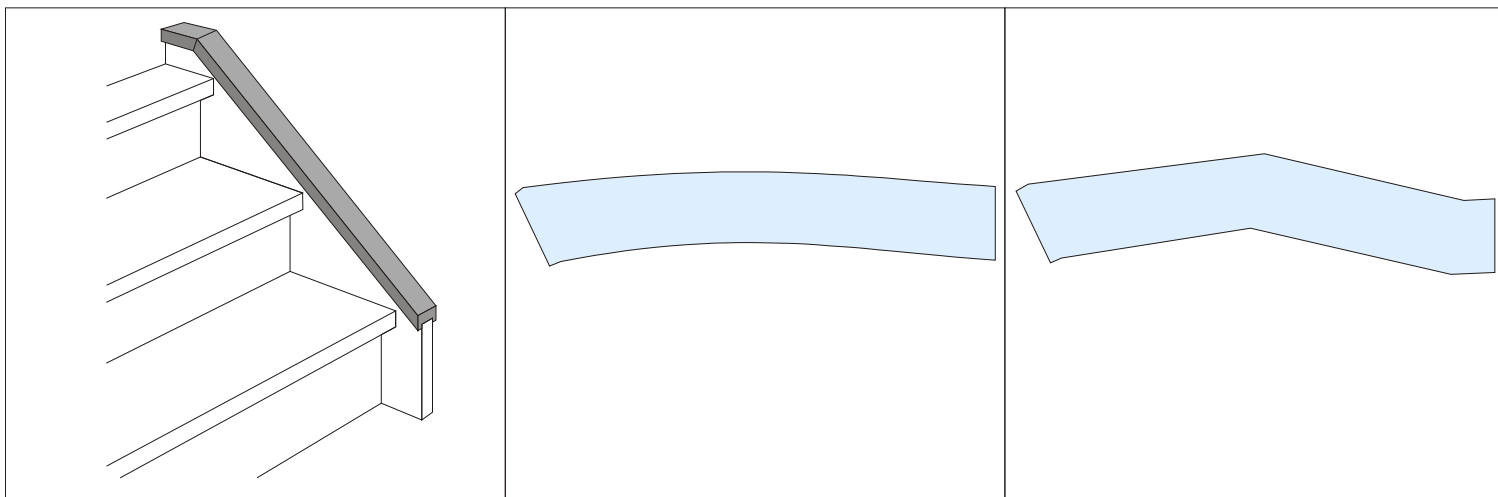


Stringers / Output

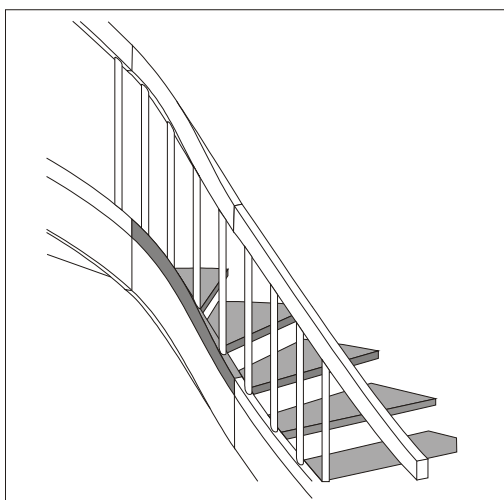


Version CAD-ND

Stringer lists / Type

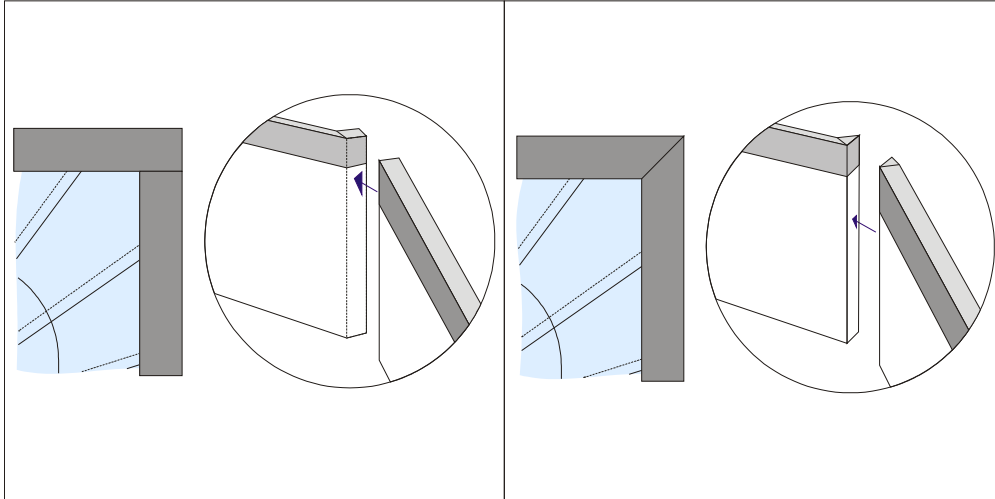


Stringer lists / Details

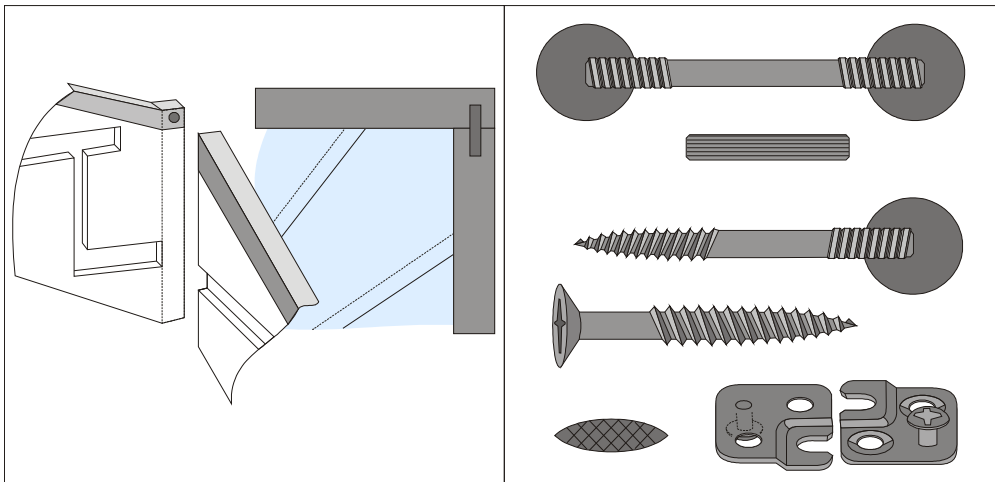


Version CAD-ND

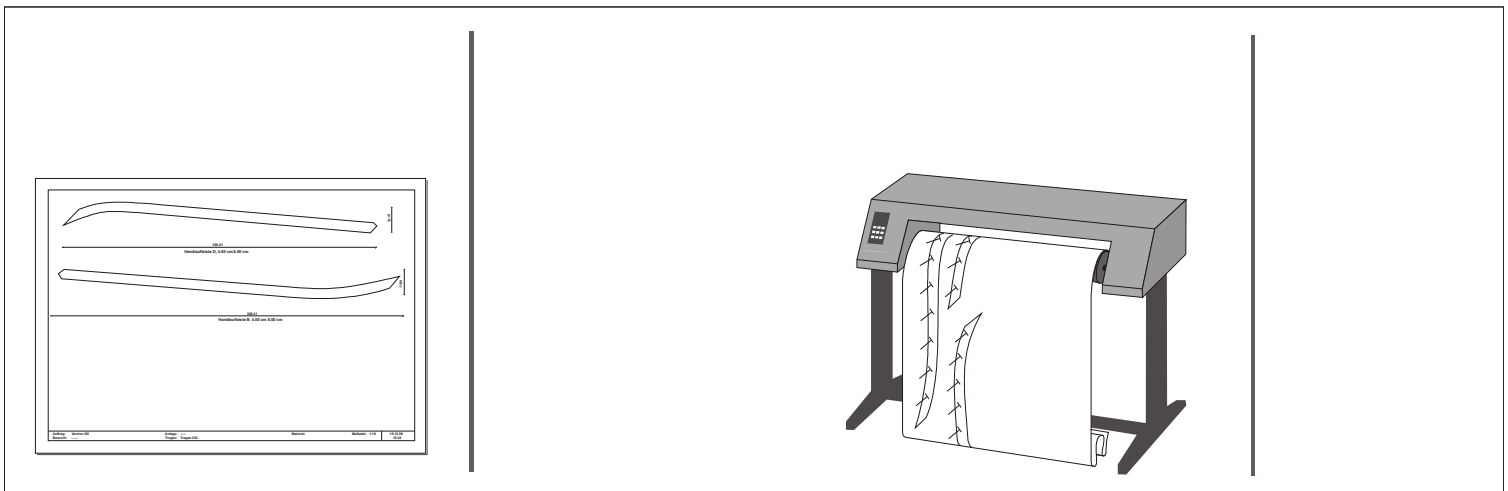
Stringer lists / Connection



Stringer lists / Drillings

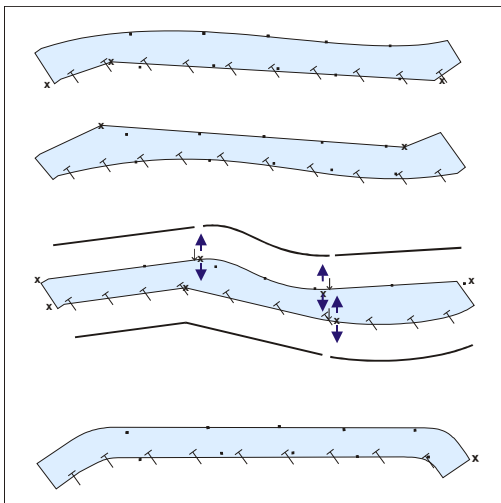
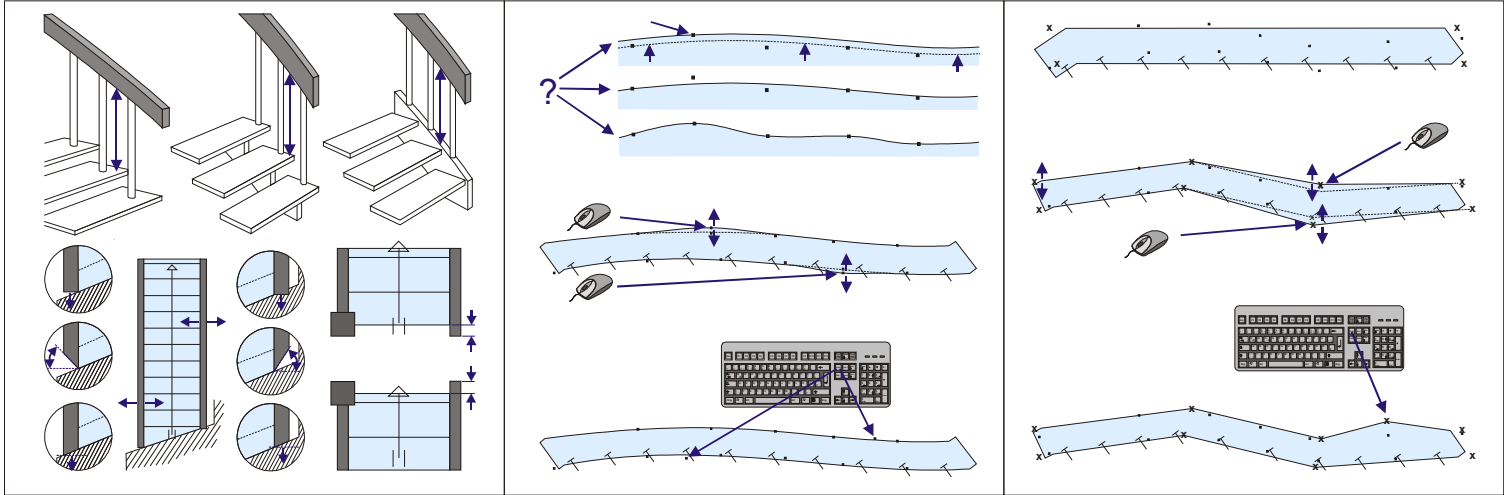


Stringer lists / Output

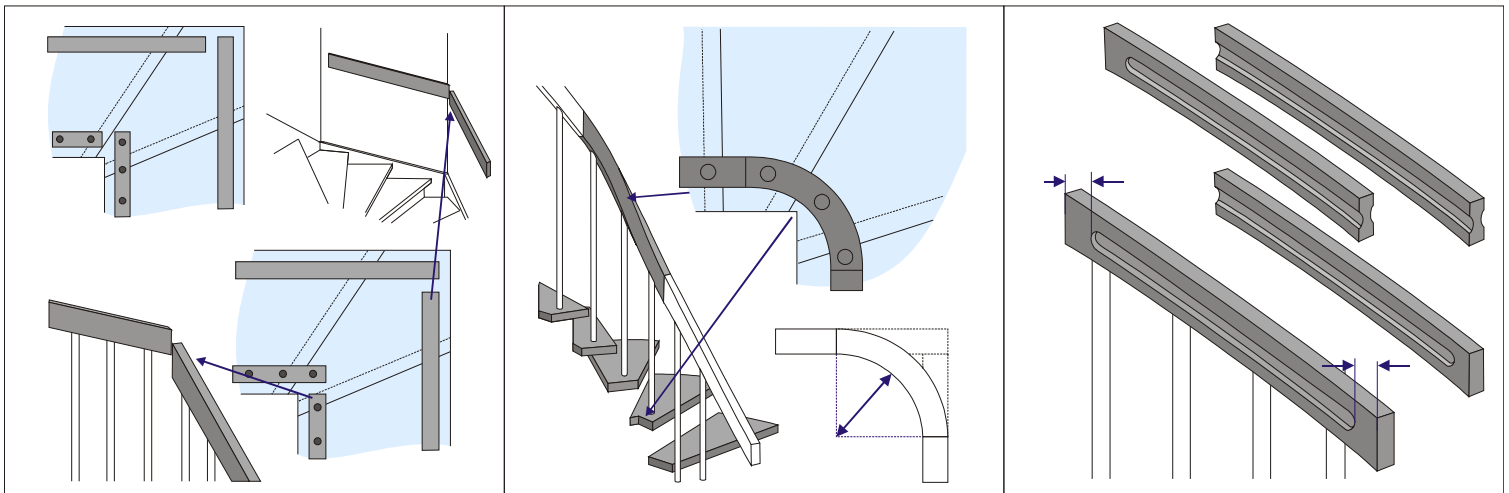


Version CAD-ND

Handrails / Type

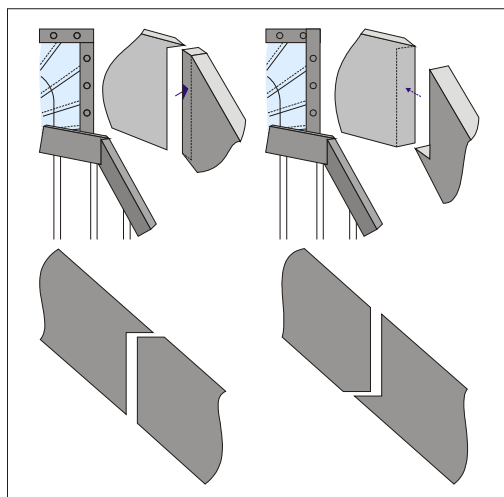
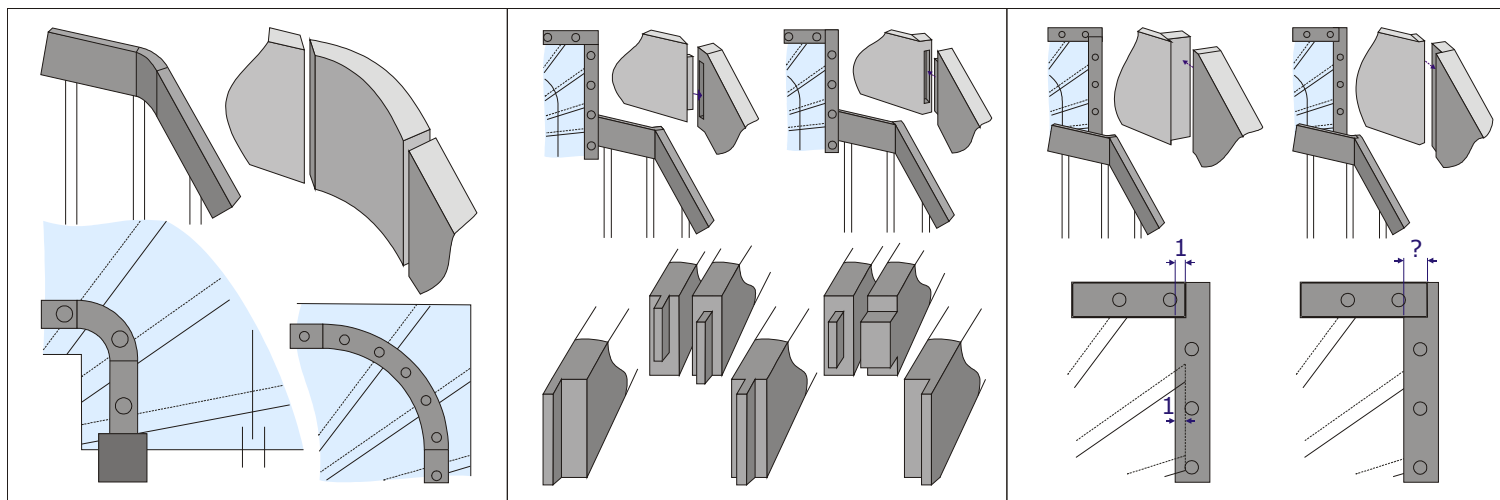
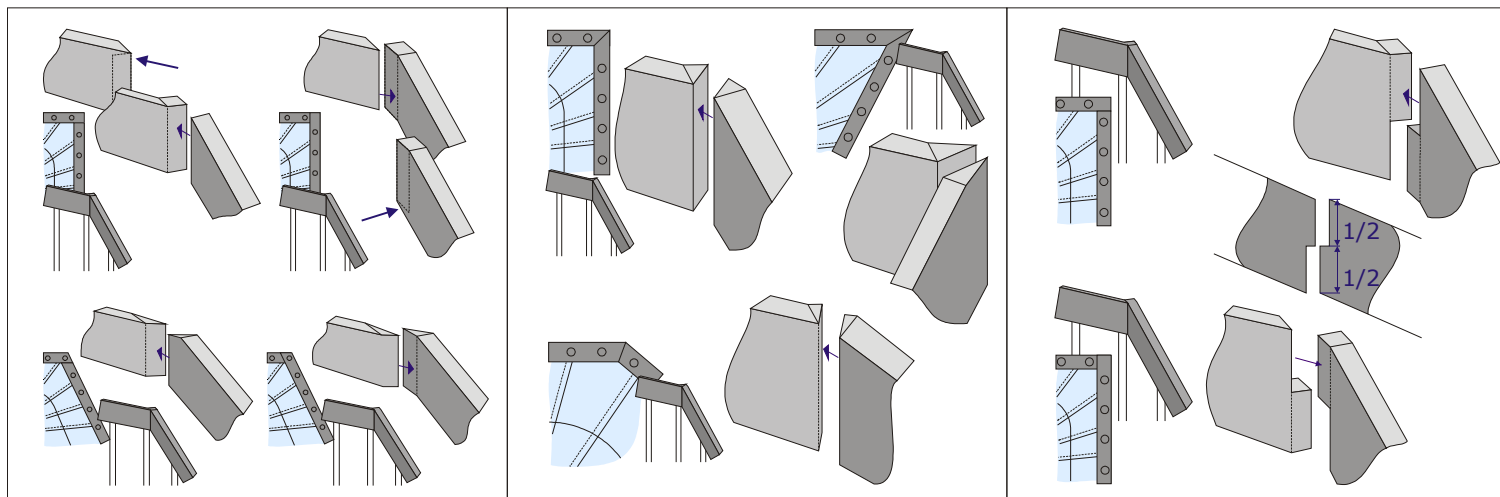


Handrails / Details



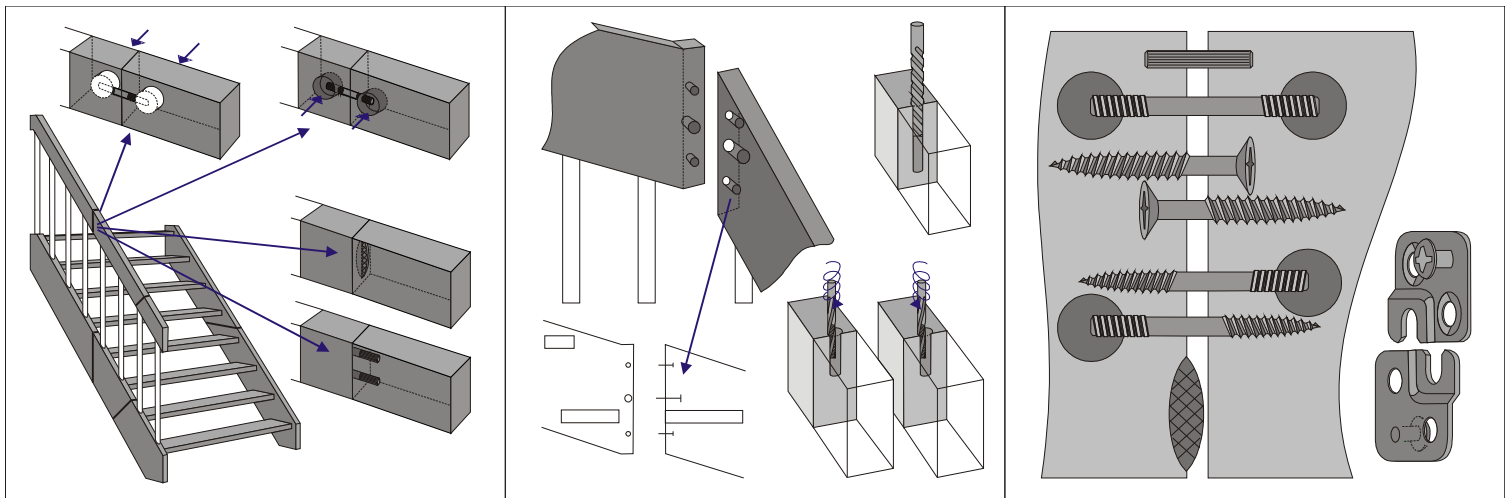
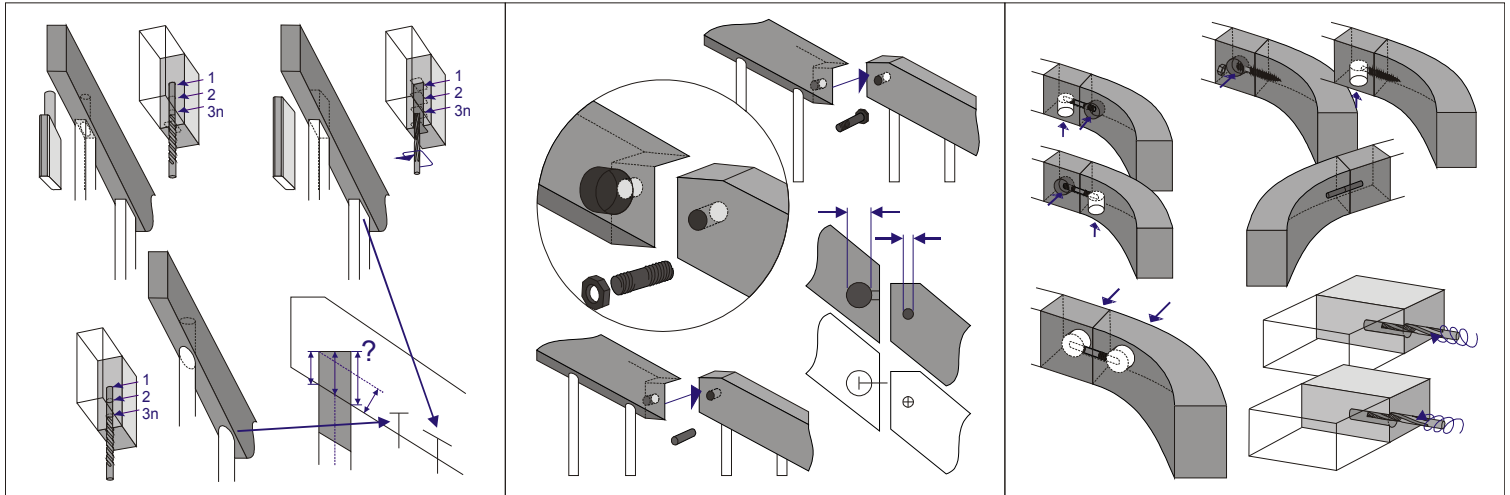
Version CAD-ND

Handrails / Connection

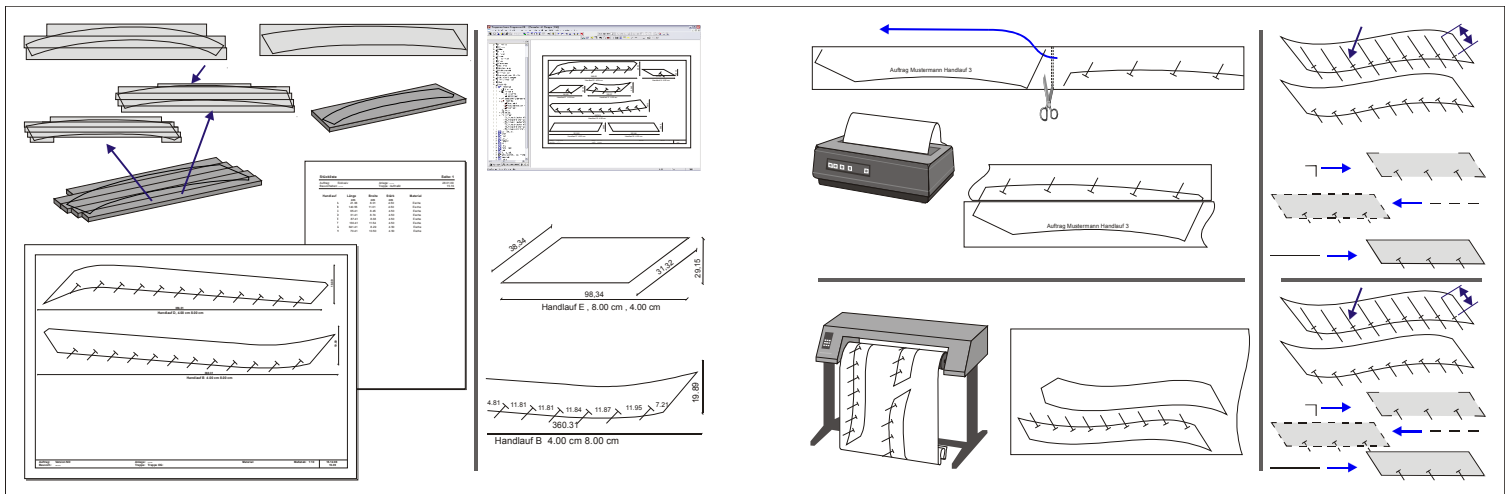


Version CAD-ND

Handrails / Drillings

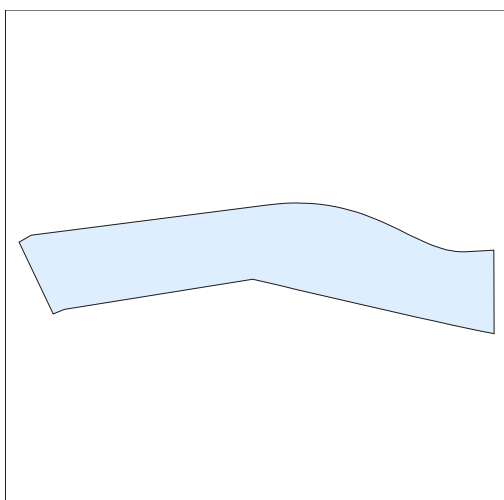
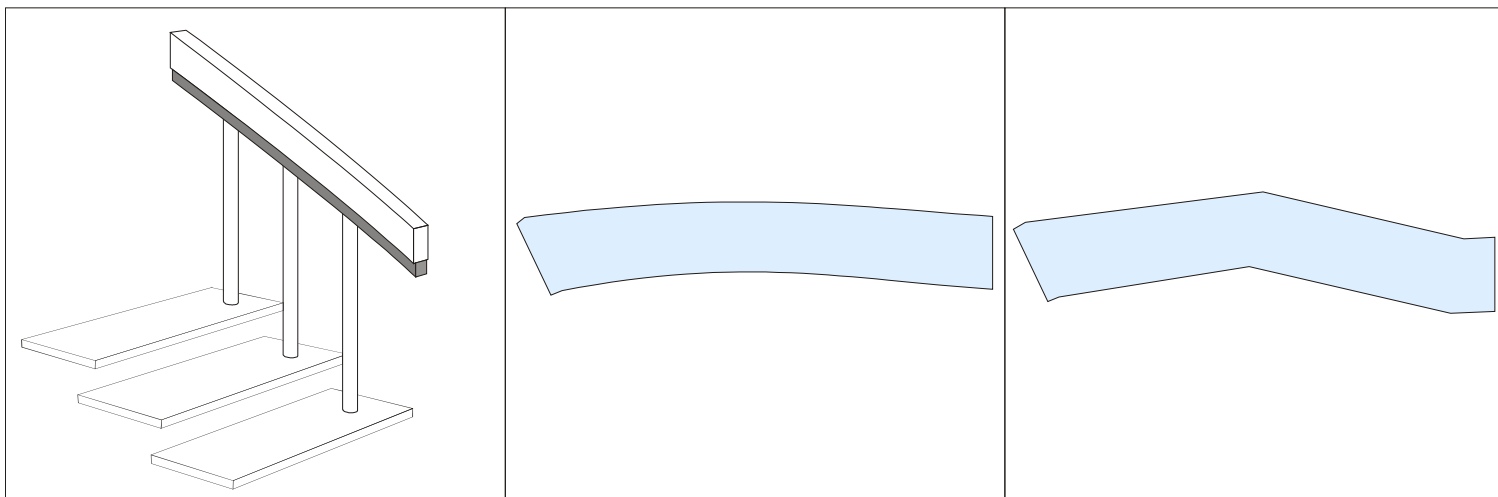


Handrails / Output

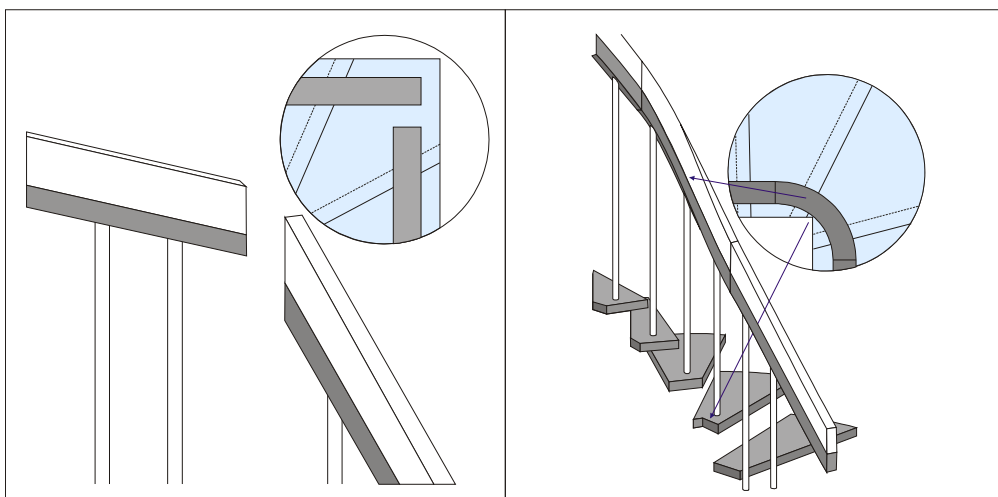


Version CAD-ND

Handrail lists / Type

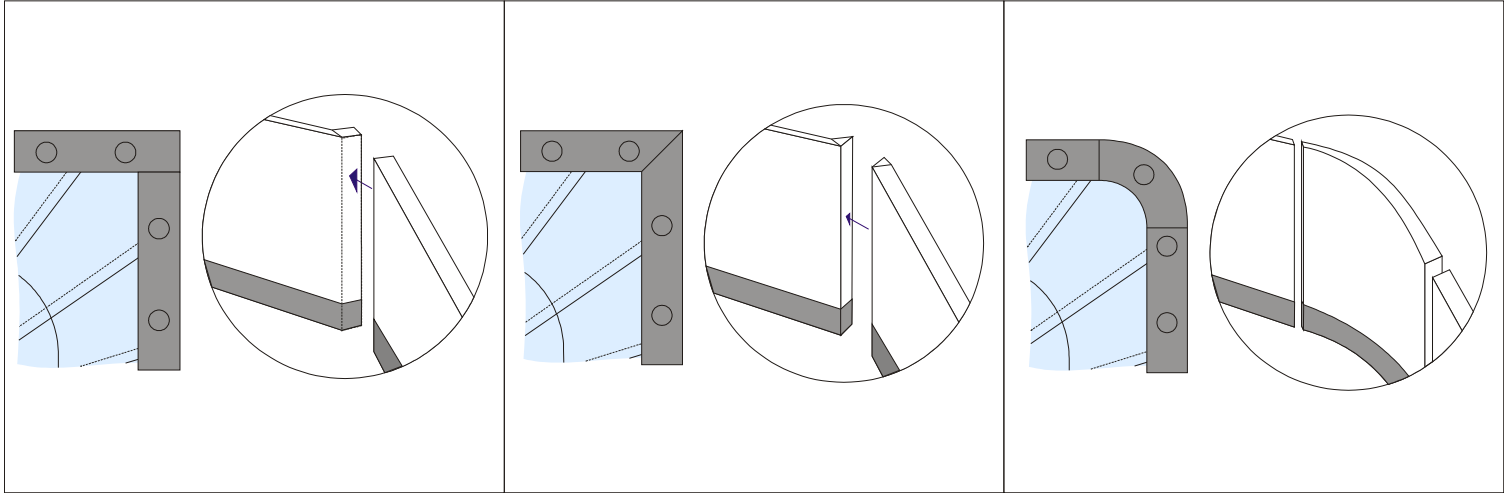


Handrail lists / Details

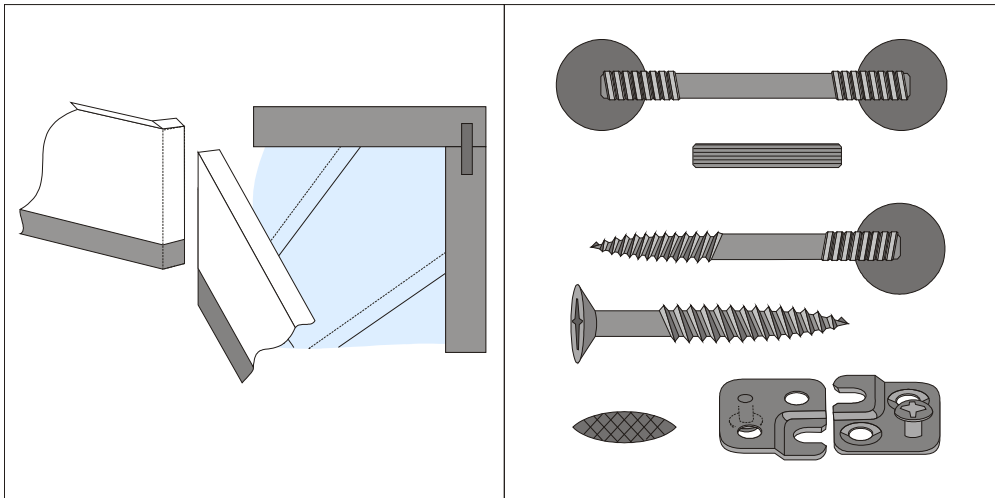


Version CAD-ND

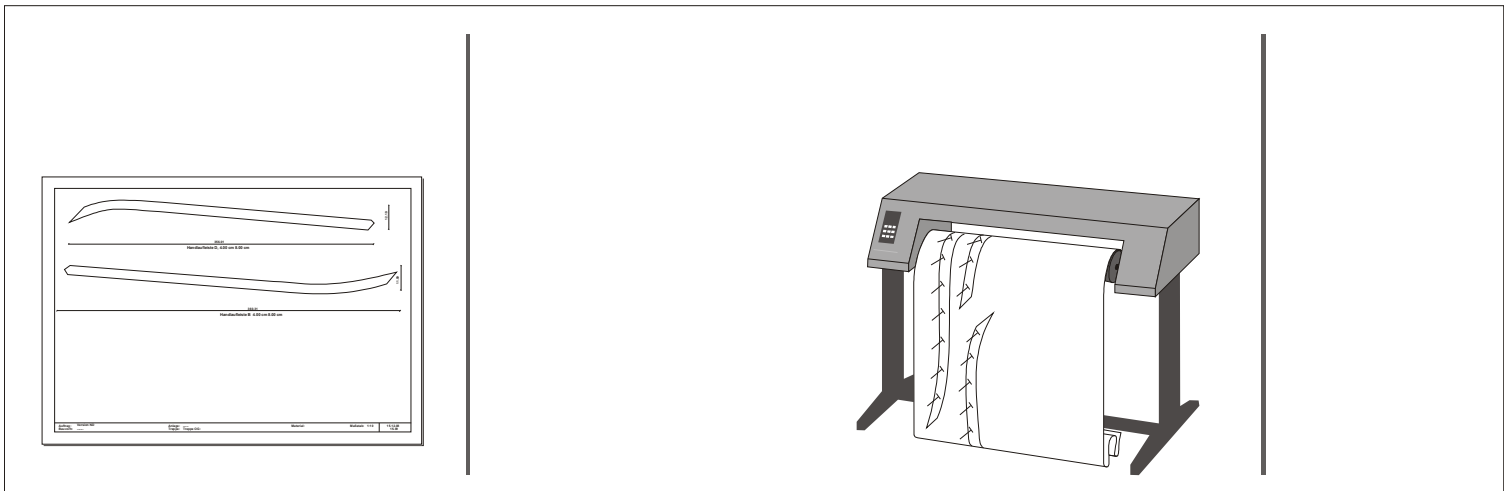
Handrail lists / Connection



Handrail lists / Drillings

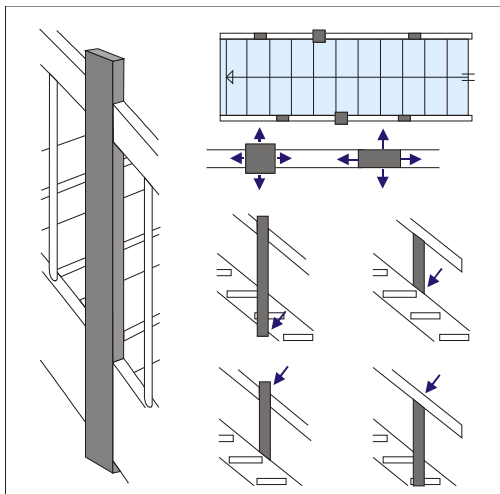
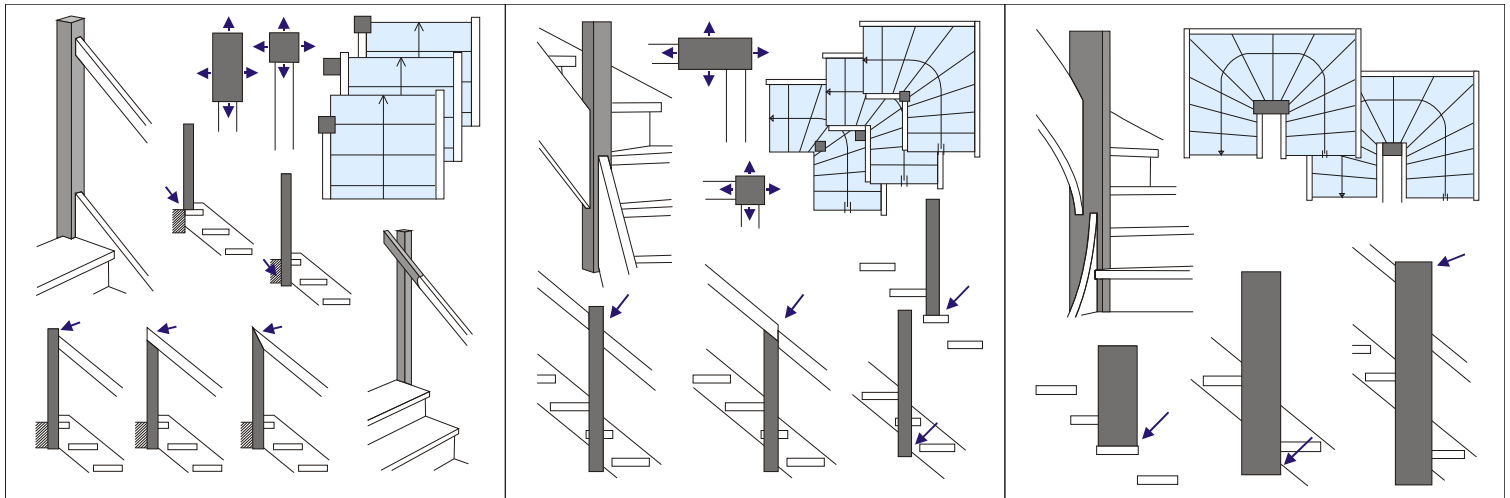
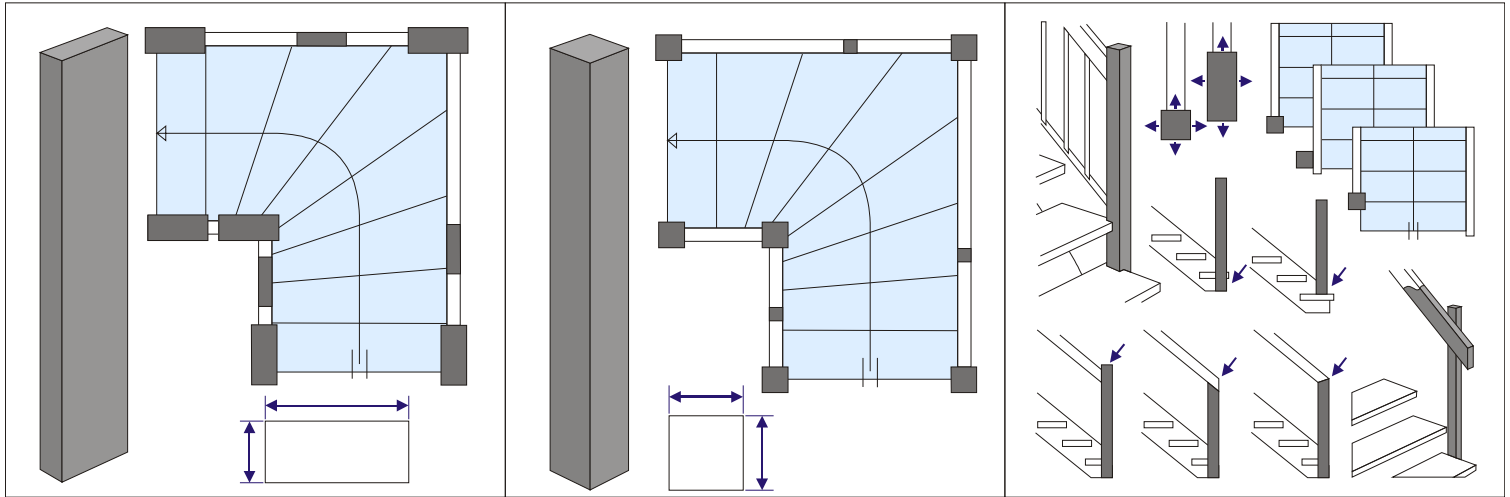


Handrail lists / Output



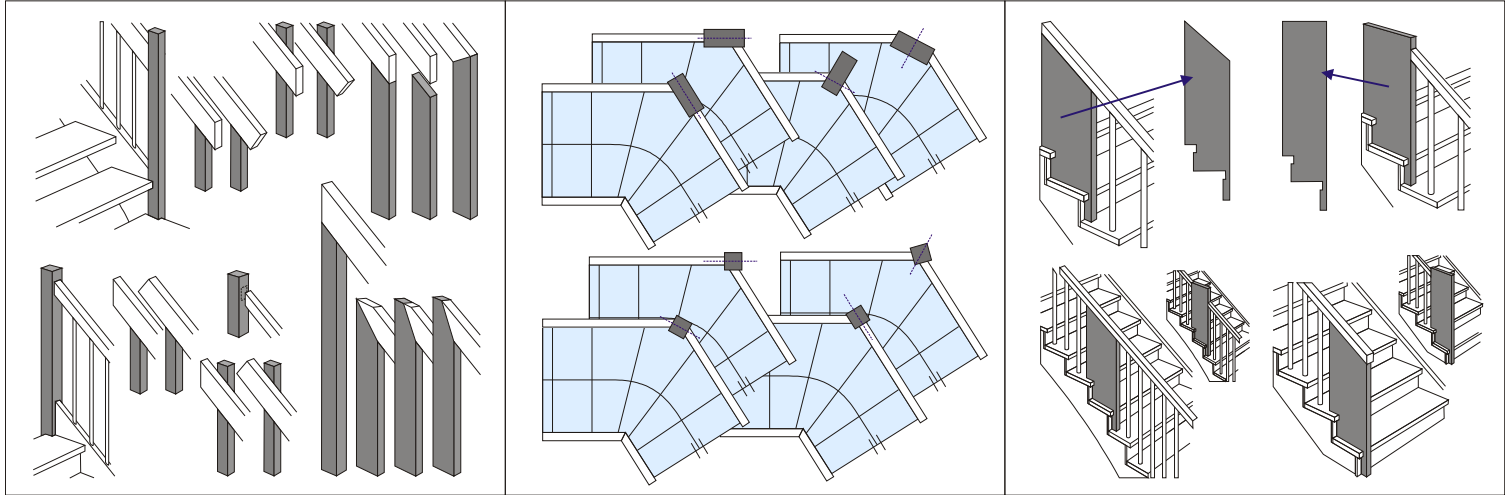
Version CAD-ND

Posts / Type

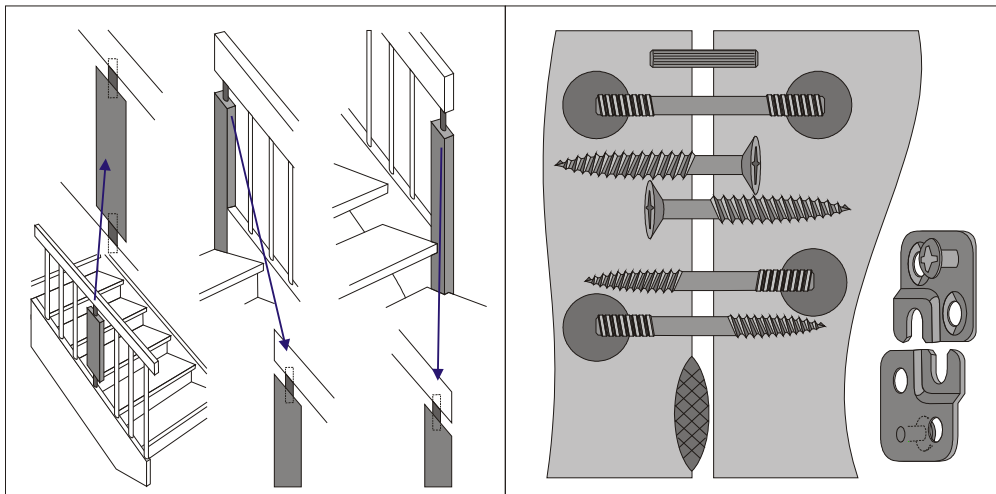
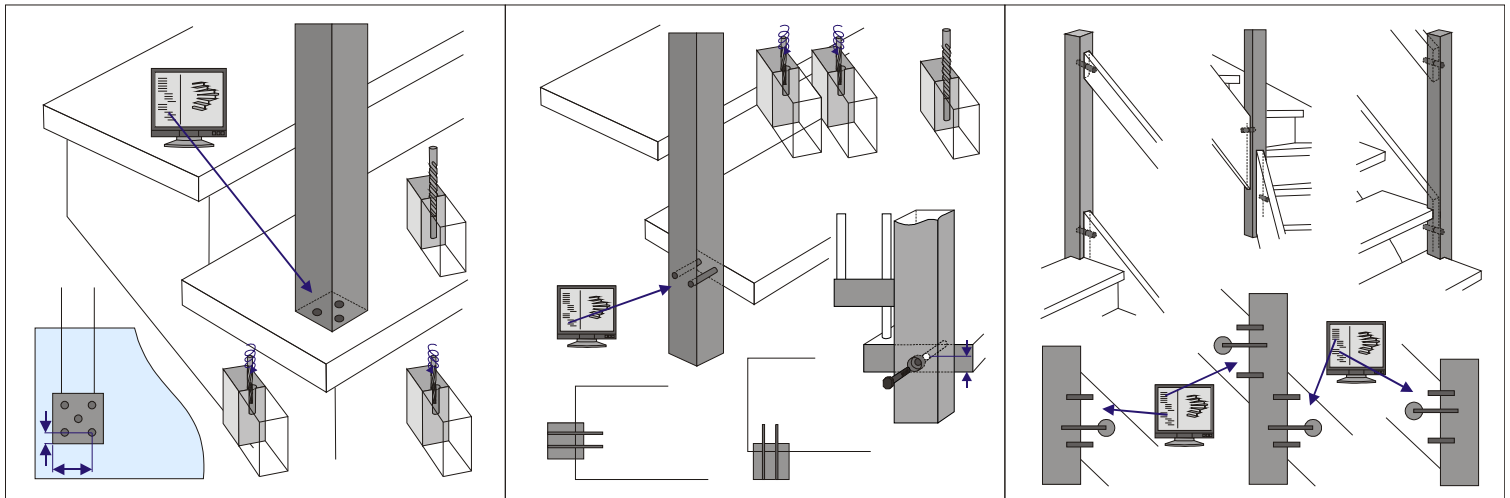


Version CAD-ND

Posts / Details

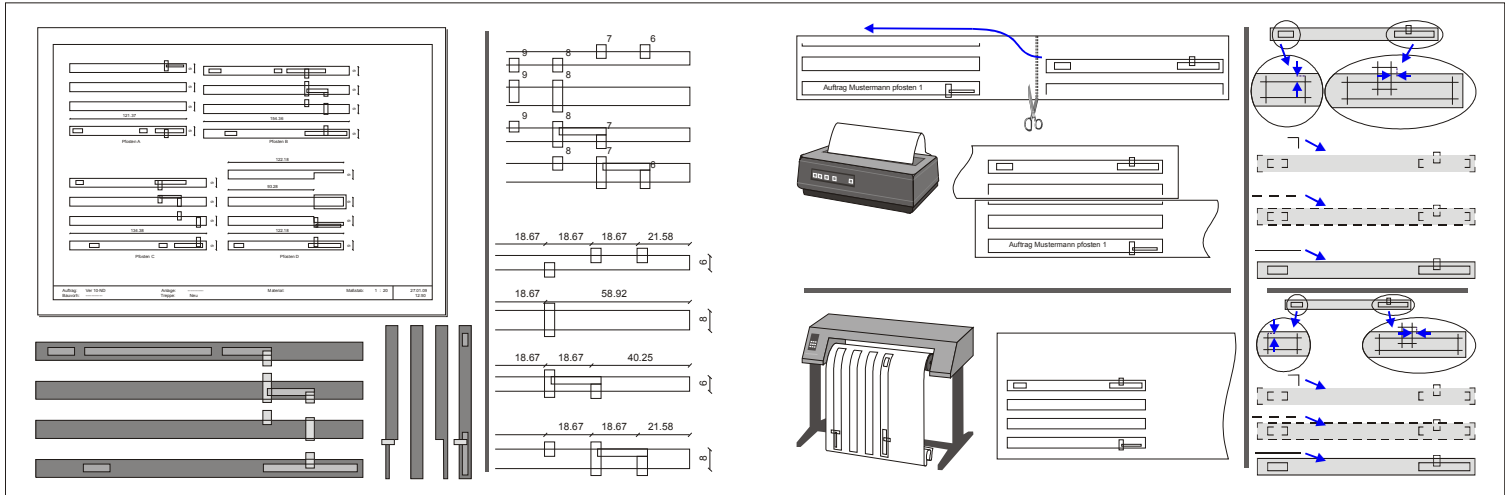


Posts / Drillings

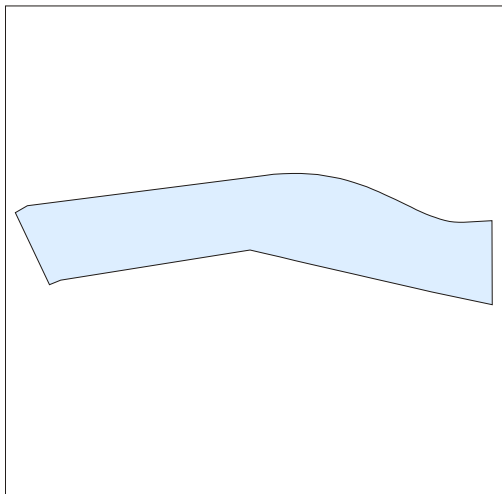
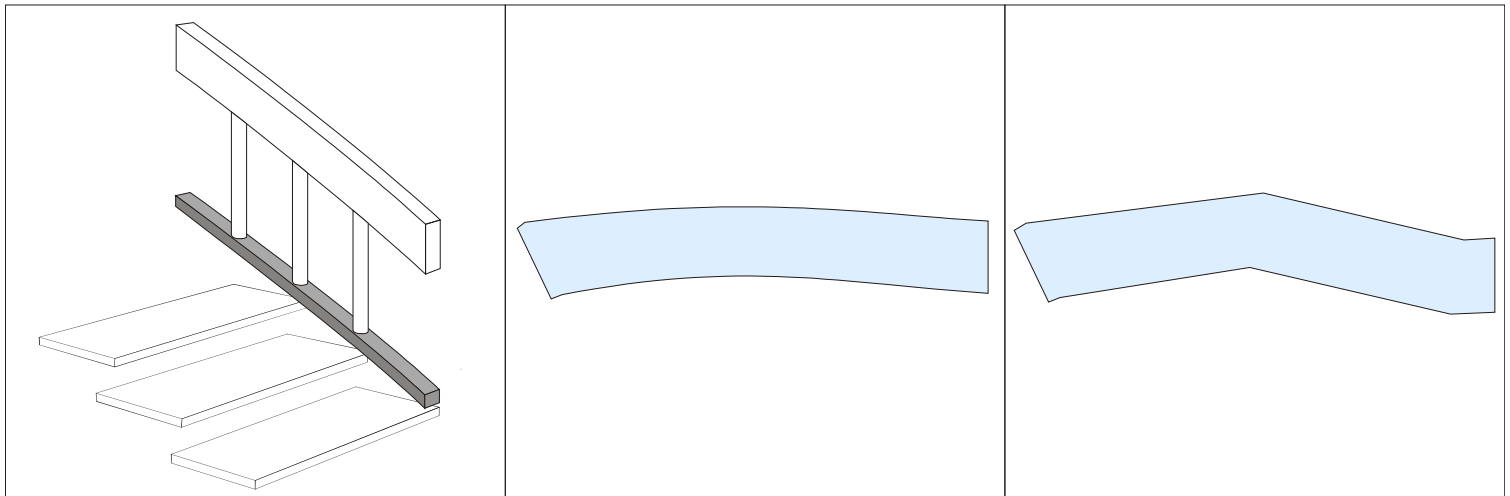


Version CAD-ND

Posts / Output

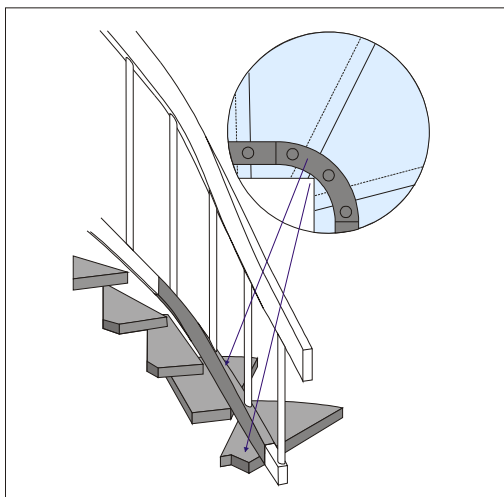


Bottom rails / Type

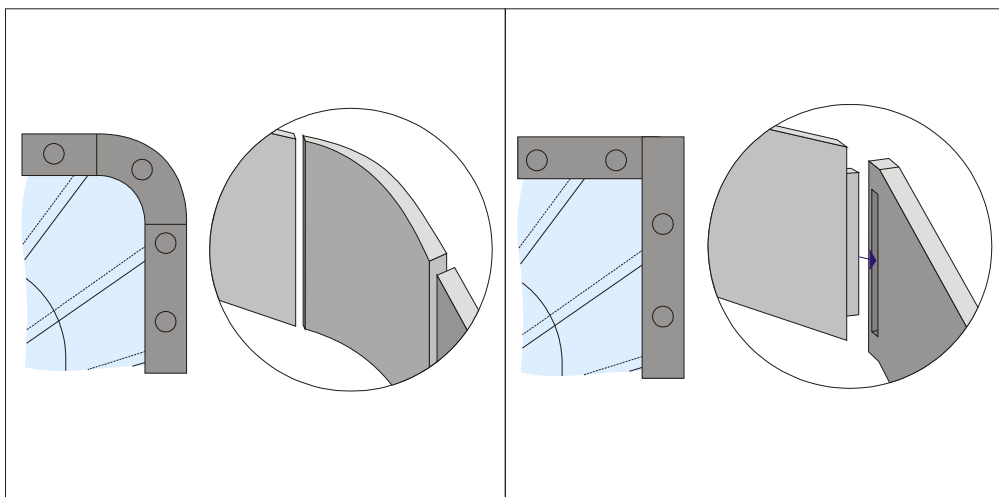
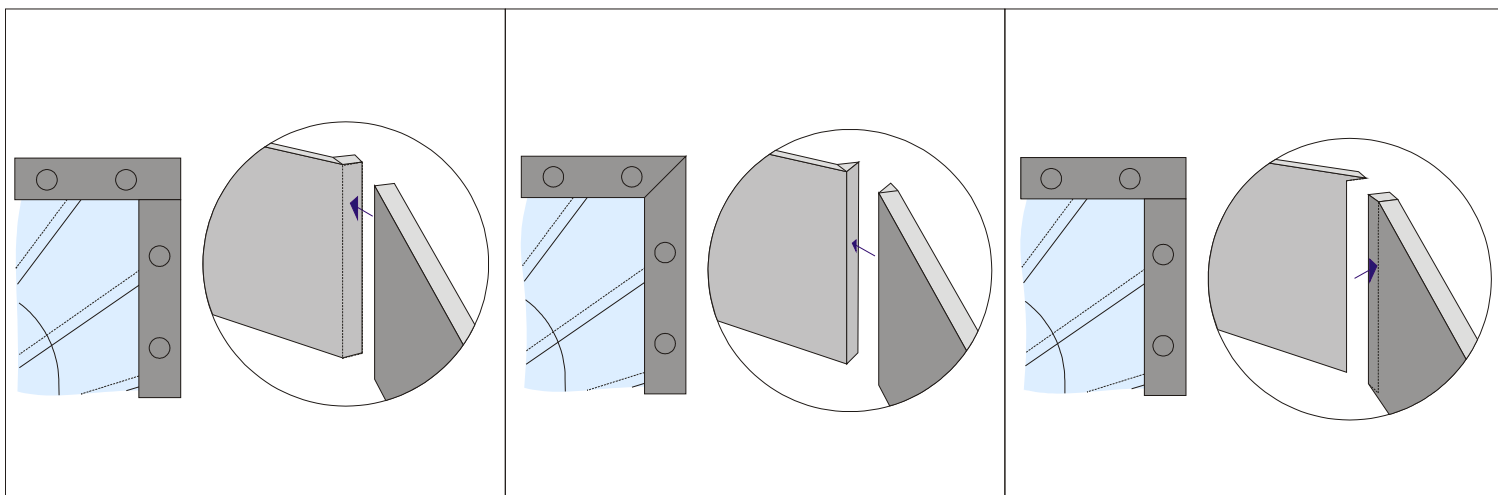


Version CAD-ND

Bottom rails / Details

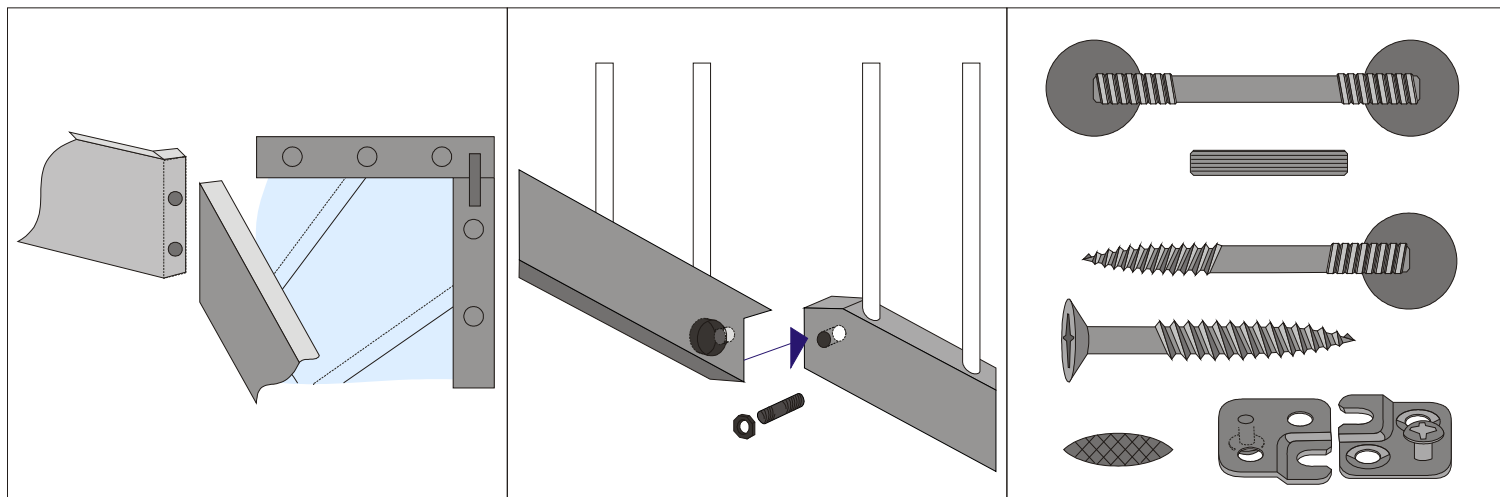


Bottom rails / Connection

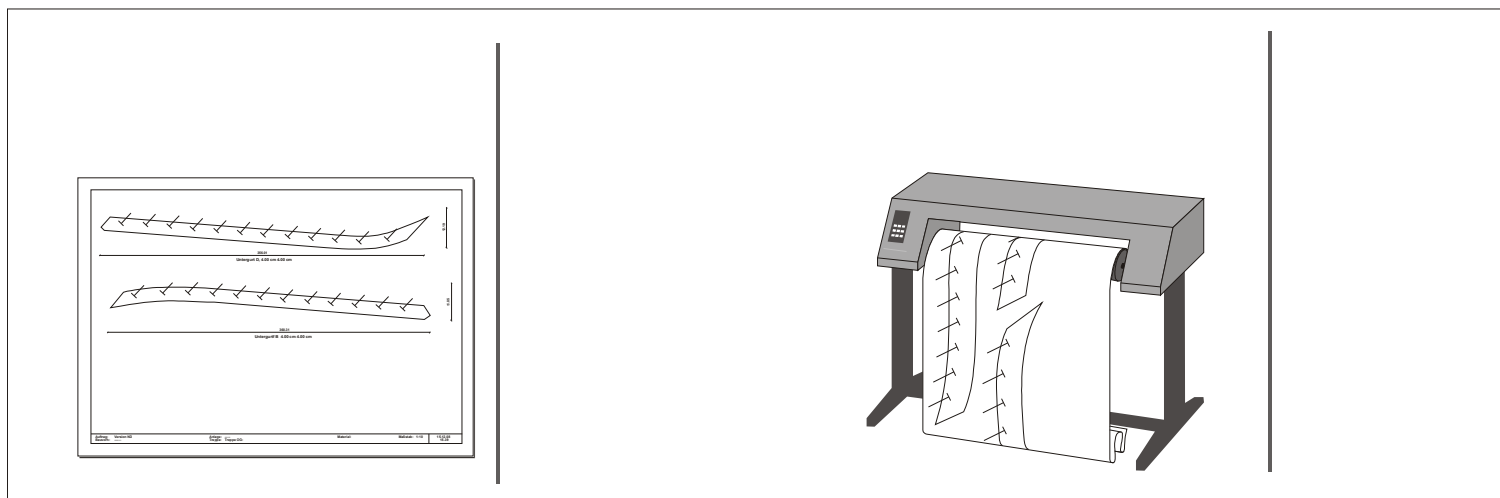


Version CAD-ND

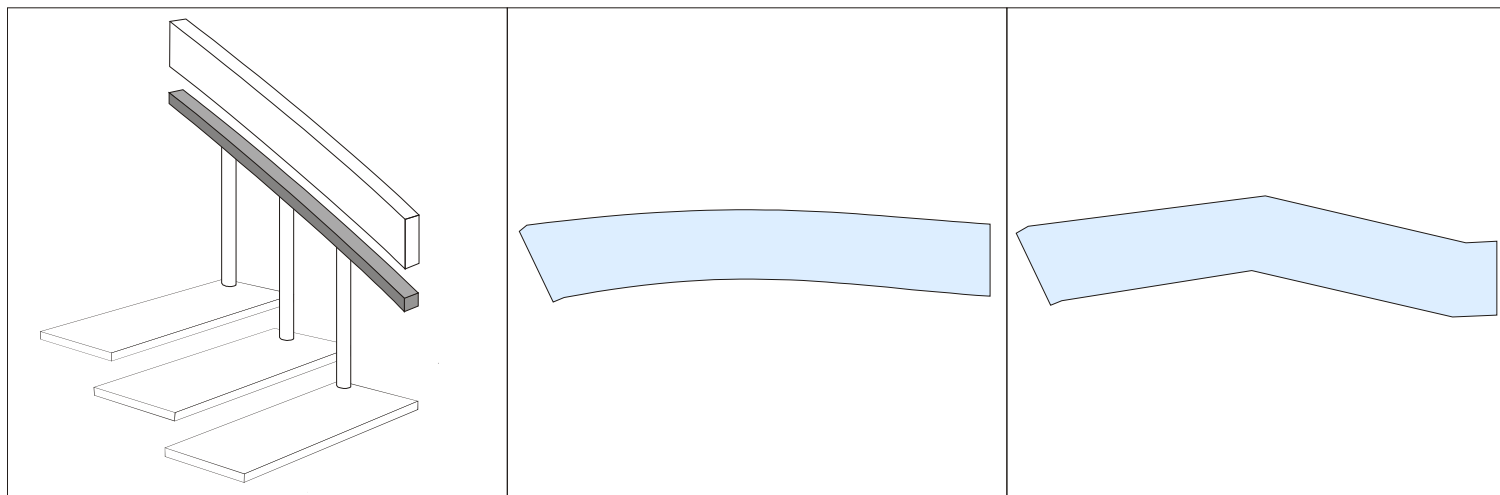
Bottom rails / Drillings



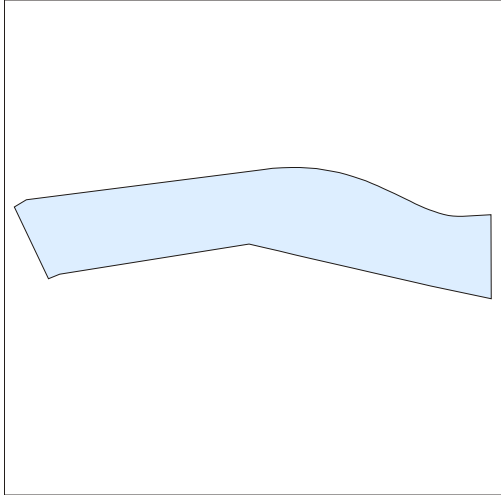
Bottom rails / Output



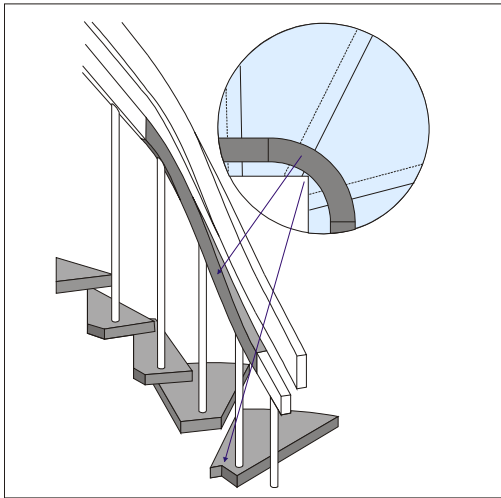
Top rails / Type



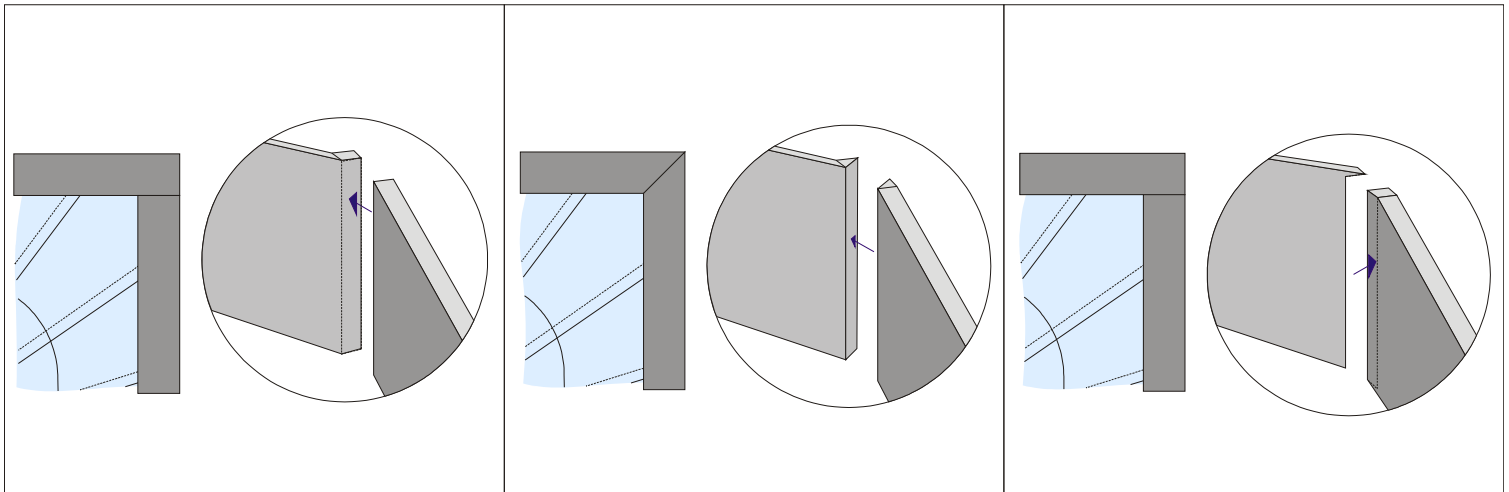
Version CAD-ND



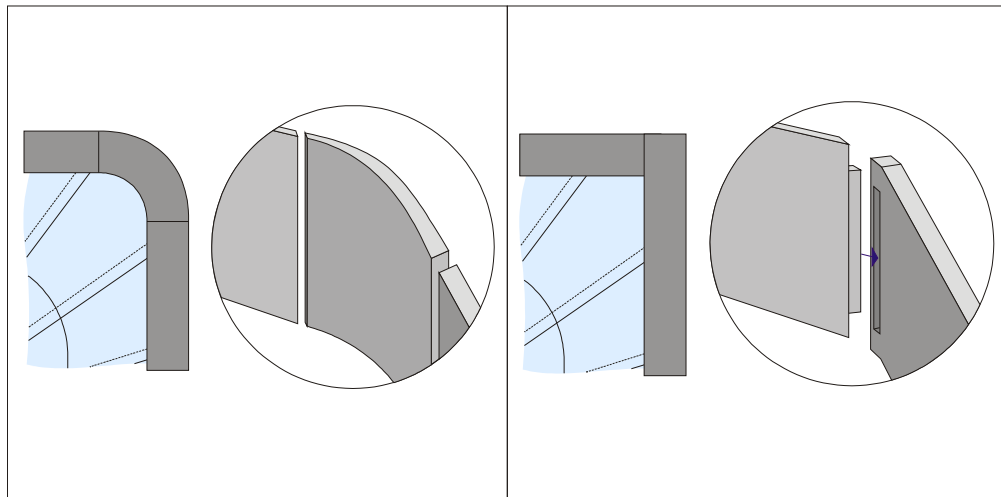
Top rails / Details



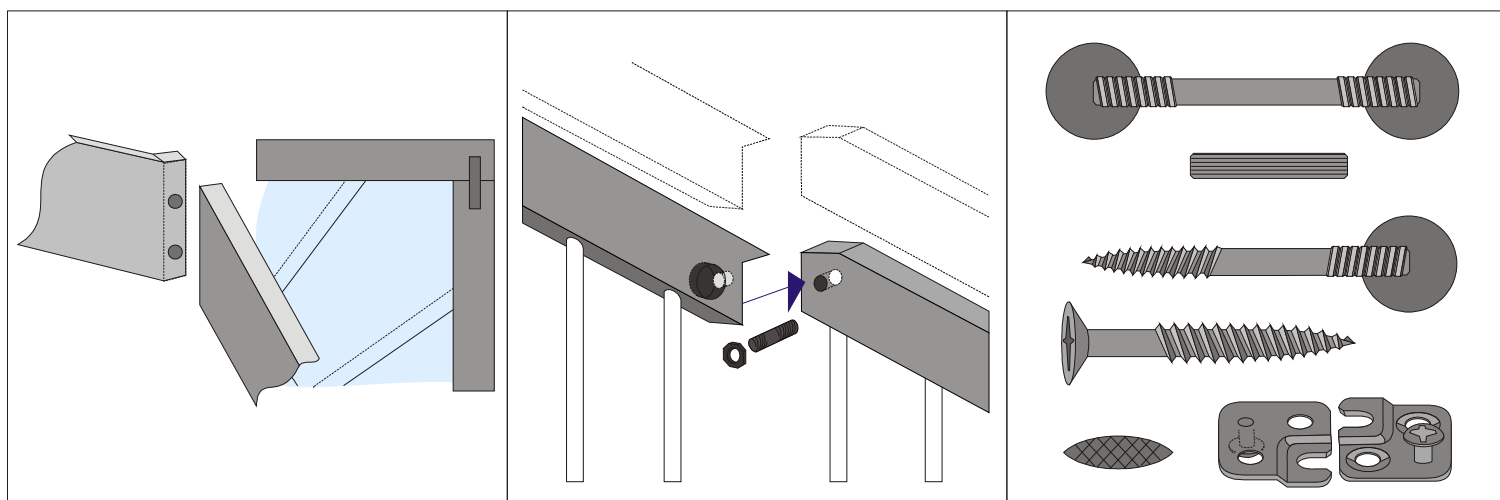
Top rails / Connection



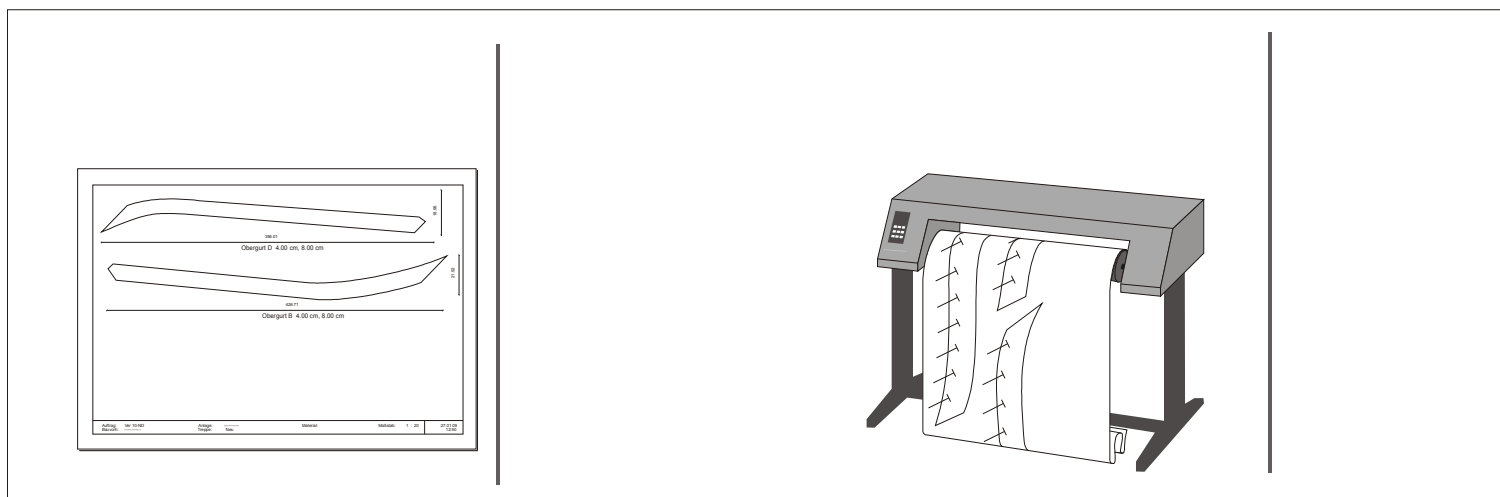
Version CAD-ND



Top rails / Drillings

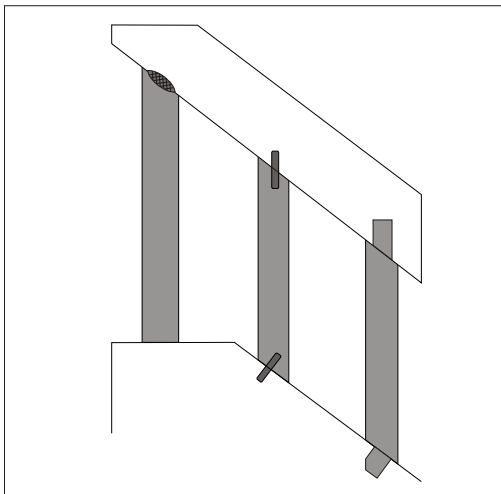
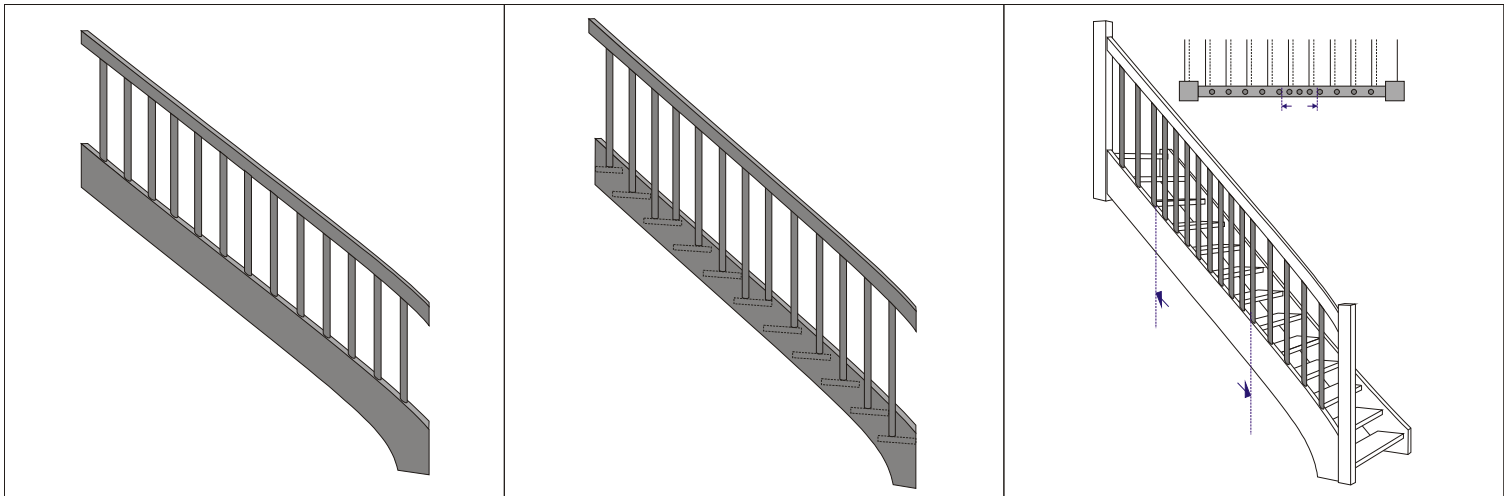
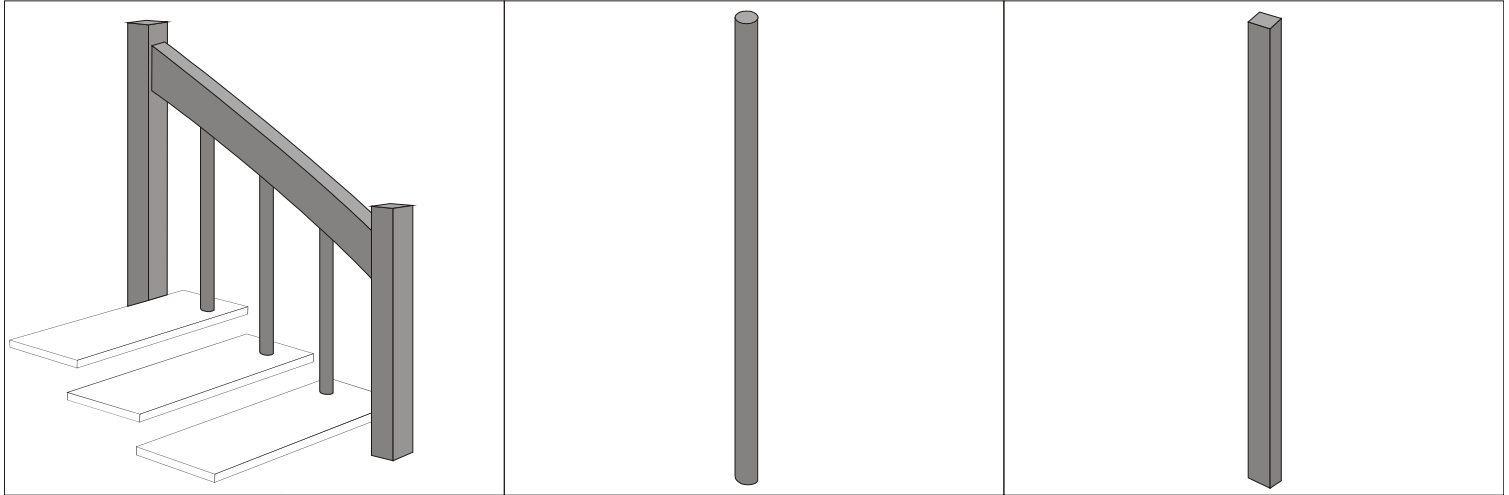


Top rails / Output



Version CAD-ND

Infills / Balusters



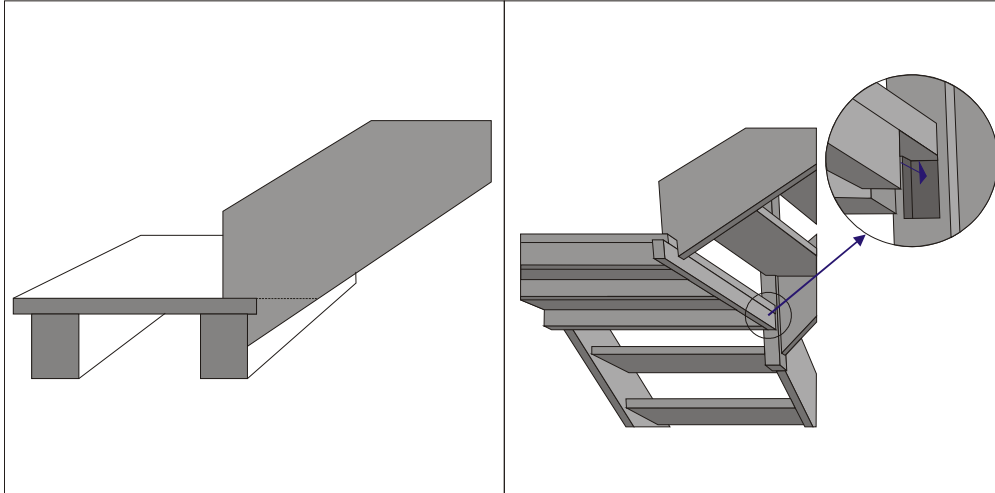
Version CAD-ND

Infills / Output

Stückliste (staffiert)										Seite: 1	
Auftrag	Exklusiv	Anlage		28.01.05							
Beschreibung		Teilnr.	Aufmaß								
Lauf	Länge	Radius	Winkel	Schnitt, links		Schnitt, rechts					
cm	cm	cm	°	oben	unten	oben	unten	cm	cm	cm	cm
B	62,74	2,40	67,20°	63,15°	60,72	2,20	76,20	1,80			
B	62,74	2,40	67,20°	63,15°	61,27	2,20	76,83	1,80			
B	62,74	2,40	67,20°	63,15°	61,80	2,20	77,46	1,80			
B	62,74	2,40	67,20°	63,15°	62,33	2,20	78,09	1,80			
B	62,74	2,40	67,20°	63,15°	62,86	2,20	78,72	1,80			
B	62,74	2,40	67,20°	63,15°	63,39	2,20	79,35	1,80			
B	62,74	2,40	67,20°	63,15°	63,92	2,20	79,98	1,80			
B	62,74	2,40	67,20°	63,15°	64,45	2,20	80,61	1,80			
B	62,74	2,40	67,20°	63,15°	64,98	2,20	81,24	1,80			
B	62,74	2,40	67,20°	63,15°	65,51	2,20	81,87	1,80			
B	62,74	2,40	67,20°	63,15°	66,04	2,20	82,50	1,80			
B	62,74	2,40	67,20°	63,15°	66,57	2,20	83,13	1,80			
B	62,74	2,40	67,20°	63,15°	67,10	2,20	83,76	1,80			
B	62,74	2,40	67,20°	63,15°	67,63	2,20	84,39	1,80			
B	62,74	2,40	67,20°	63,15°	68,16	2,20	85,02	1,80			
B	62,74	2,40	67,20°	63,15°	68,69	2,20	85,65	1,80			
B	62,74	2,40	67,20°	63,15°	69,22	2,20	86,28	1,80			
B	62,74	2,40	67,20°	63,15°	69,75	2,20	86,91	1,80			
B	62,74	2,40	67,20°	63,15°	70,28	2,20	87,54	1,80			
B	62,74	2,40	67,20°	63,15°	70,81	2,20	88,17	1,80			
B	62,74	2,40	67,20°	63,15°	71,34	2,20	88,80	1,80			
B	62,74	2,40	67,20°	63,15°	71,87	2,20	89,43	1,80			
B	62,74	2,40	67,20°	63,15°	72,40	2,20	90,06	1,80			
B	62,74	2,40	67,20°	63,15°	72,93	2,20	90,69	1,80			
B	62,74	2,40	67,20°	63,15°	73,46	2,20	91,32	1,80			
B	62,74	2,40	67,20°	63,15°	73,99	2,20	91,95	1,80			
B	62,74	2,40	67,20°	63,15°	74,52	2,20	92,58	1,80			
B	62,74	2,40	67,20°	63,15°	75,05	2,20	93,21	1,80			
B	62,74	2,40	67,20°	63,15°	75,58	2,20	93,84	1,80			
B	62,74	2,40	67,20°	63,15°	76,11	2,20	94,47	1,80			
B	62,74	2,40	67,20°	63,15°	76,64	2,20	95,10	1,80			
B	62,74	2,40	67,20°	63,15°	77,17	2,20	95,73	1,80			
B	62,74	2,40	67,20°	63,15°	77,70	2,20	96,36	1,80			
B	62,74	2,40	67,20°	63,15°	78,23	2,20	96,99	1,80			
B	62,74	2,40	67,20°	63,15°	78,76	2,20	97,62	1,80			
B	62,74	2,40	67,20°	63,15°	79,29	2,20	98,25	1,80			
B	62,74	2,40	67,20°	63,15°	79,82	2,20	98,88	1,80			
B	62,74	2,40	67,20°	63,15°	80,35	2,20	99,51	1,80			
B	62,74	2,40	67,20°	63,15°	80,88	2,20	100,14	1,80			
B	62,74	2,40	67,20°	63,15°	81,41	2,20	100,77	1,80			
B	62,74	2,40	67,20°	63,15°	81,94	2,20	101,40	1,80			
B	62,74	2,40	67,20°	63,15°	82,47	2,20	102,03	1,80			
B	62,74	2,40	67,20°	63,15°	83,00	2,20	102,66	1,80			
B	62,74	2,40	67,20°	63,15°	83,53	2,20	103,29	1,80			
B	62,74	2,40	67,20°	63,15°	84,06	2,20	103,92	1,80			
B	62,74	2,40	67,20°	63,15°	84,59	2,20	104,55	1,80			
B	62,74	2,40	67,20°	63,15°	85,12	2,20	105,18	1,80			
B	62,74	2,40	67,20°	63,15°	85,65	2,20	105,81	1,80			
B	62,74	2,40	67,20°	63,15°	86,18	2,20	106,44	1,80			
B	62,74	2,40	67,20°	63,15°	86,71	2,20	107,07	1,80			
B	62,74	2,40	67,20°	63,15°	87,24	2,20	107,70	1,80			
B	62,74	2,40	67,20°	63,15°	87,77	2,20	108,33	1,80			
B	62,74	2,40	67,20°	63,15°	88,30	2,20	108,96	1,80			
B	62,74	2,40	67,20°	63,15°	88,83	2,20	109,59	1,80			
B	62,74	2,40	67,20°	63,15°	89,36	2,20	110,22	1,80			
B	62,74	2,40	67,20°	63,15°	89,89	2,20	110,85	1,80			
B	62,74	2,40	67,20°	63,15°	90,42	2,20	111,48	1,80			
B	62,74	2,40	67,20°	63,15°	90,95	2,20	112,11	1,80			
B	62,74	2,40	67,20°	63,15°	91,48	2,20	112,74	1,80			
B	62,74	2,40	67,20°	63,15°	92,01	2,20	113,37	1,80			
B	62,74	2,40	67,20°	63,15°	92,54	2,20	114,00	1,80			
B	62,74	2,40	67,20°	63,15°	93,07	2,20	114,63	1,80			
B	62,74	2,40	67,20°	63,15°	93,60	2,20	115,26	1,80			
B	62,74	2,40	67,20°	63,15°	94,13	2,20	115,89	1,80			
B	62,74	2,40	67,20°	63,15°	94,66	2,20	116,52	1,80			
B	62,74	2,40	67,20°	63,15°	95,19	2,20	117,15	1,80			
B	62,74	2,40	67,20°	63,15°	95,72	2,20	117,78	1,80			
B	62,74	2,40	67,20°	63,15°	96,25	2,20	118,41	1,80			
B	62,74	2,40	67,20°	63,15°	96,78	2,20	119,04	1,80			
B	62,74	2,40	67,20°	63,15°	97,31	2,20	119,67	1,80			
B	62,74	2,40	67,20°	63,15°	97,84	2,20	120,30	1,80			
B	62,74	2,40	67,20°	63,15°	98,37	2,20	120,93	1,80			
B	62,74	2,40	67,20°	63,15°	98,90	2,20	121,56	1,80			
B	62,74	2,40	67,20°	63,15°	99,43	2,20	122,19	1,80			
B	62,74	2,40	67,20°	63,15°	99,96	2,20	122,82	1,80			
B	62,74	2,40	67,20°	63,15°	100,49	2,20	123,45	1,80			
B	62,74	2,40	67,20°	63,15°	101,02	2,20	124,08	1,80			
B	62,74	2,40	67,20°	63,15°	101,55	2,20	124,71	1,80			
B	62,74	2,40	67,20°	63,15°	102,08	2,20	125,34	1,80			
B	62,74	2,40	67,20°	63,15°	102,61	2,20	125,97	1,80			
B	62,74	2,40	67,20°	63,15°	103,14	2,20	126,60	1,80			
B	62,74	2,40	67,20°	63,15°	103,67	2,20	127,23	1,80			
B	62,74	2,40	67,20°	63,15°	104,20	2,20	127,86	1,80			
B	62,74	2,40	67,20°	63,15°	104,73	2,20	128,49	1,80			
B	62,74	2,40	67,20°	63,15°	105,26	2,20	129,12	1,80			
B	62,74	2,40	67,20°	63,15°	105,79	2,20	129,75	1,80			
B	62,74	2,40	67,20°	63,15°	106,32	2,20	130,38	1,80			
B	62,74	2,40	67,20°	63,15°	106,85	2,20	131,01	1,80			
B	62,74	2,40	67,20°	63,15°	107,38	2,20	131,64	1,80			
B	62,74	2,40	67,20°	63,15°	107,91	2,20	132,27	1,80			
B	62,74	2,40	67,20°	63,15°	108,44	2,20	132,90	1,80			
B	62,74	2,40	67,20°	63,15°	108,97	2,20	133,53	1,80			
B	62,74	2,40	67,20°	63,15°	109,50	2,20	134,16	1,80			
B	62,74	2,40	67,20°	63,15°	110,03	2,20	134,79	1,80			
B	62,74	2,40	67,20°	63,15°	110,56	2,20	135,42	1,80			
B	62,74	2,40	67,20°	63,15°	111,09	2,20	136,05	1,80			
B	62,74	2,40	67,20°	63,15°	111,62	2,20	136,68	1,80			
B	62,74	2,40	67,20°	63,15°	112,15	2,20	137,31	1,80			
B	62,74	2,40	67,20°	63,15°	112,68	2,20	137,94	1,80			
B	62,74	2,40	67,20°	63,15°	113,21	2,20	138,57	1,80			
B	62,74	2,40	67,20°	63,15°	113,74	2,20	139,20	1,80			
B	62,74	2,40	67,20°	63,15°	114,27	2,20	139,83	1,80			
B	62,74	2,40	67,20°	63,15°	114,80	2,20	140,46	1,80			
B	62,74	2,40	67,20°	63,15°	115,33	2,20	141,09	1,80			
B	62,74	2,40	67,20°	63,15°	115,86	2,20	141,72	1,80			
B	62,74	2,40	67,20°	63,15°	116,39	2,20	142,35	1,80			
B	62,74	2,40	67,20°	63,15°	116,92	2,20	142,98	1,80			
B	62,74	2,40	67,20°	63,15°	117,45	2,20	143,61	1,80			
B	62,74	2,40	67,20°	63,15°	117,98	2,20	144,24	1,80			
B	62,74	2,40	67,20°	63,15°	118,51	2,20	144,87	1,80			
B	62,74	2,40	67,20°	63,15°	119,04	2,20	145,50	1,80			
B	62,74	2,40	67,20°	63,15°	119,57	2,20	146,13	1,80			
B	62,74	2,40	67,20°	63,15°	120,10	2,20	146,76	1,80			
B	62,74	2,40	67,20°	63,15°	120,63	2,20	147,39	1,80			
B	62,74	2,40	67,20°	63,1							

Version CAD-ND

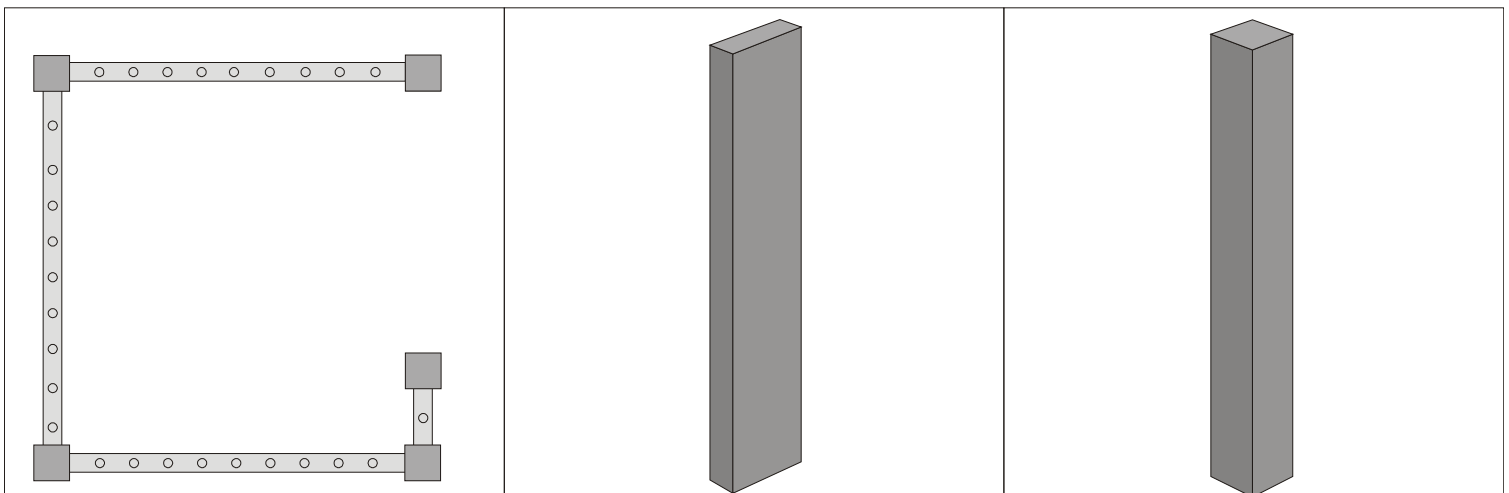
Landing bar / Details



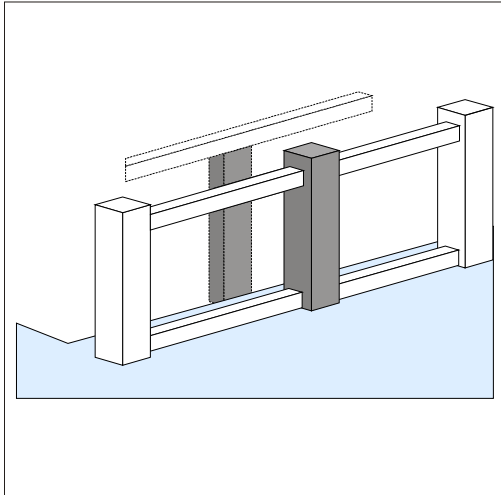
Landing bar / Output

Stückliste						Seite: 1
Auftrag:	Exklusiv	Anlage:	----	28.01.09		
Bauvorhaben:	----	Treppe:	Aufmaß	15.11		
Podestbalken	Länge	Breite	Stärke	Fläche	Volumen	
	cm	cm	cm	m ²	m ³	
1	98,00	5,00	8,00	0,05	0,004	
2	97,00	5,00	8,00	0,05	0,004	
3	97,00	5,00	8,00	0,05	0,004	
4	77,00	5,00	8,00	0,04	0,003	
5	77,00	5,00	8,00	0,04	0,003	

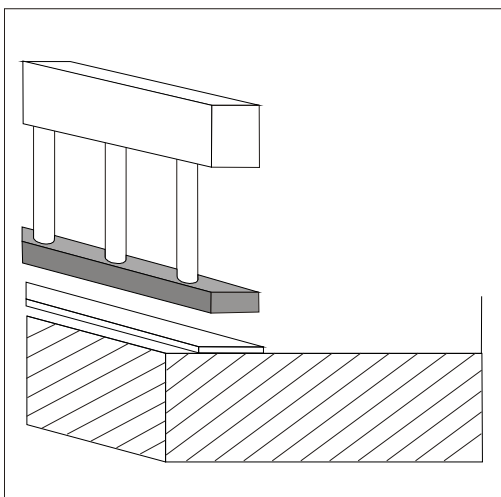
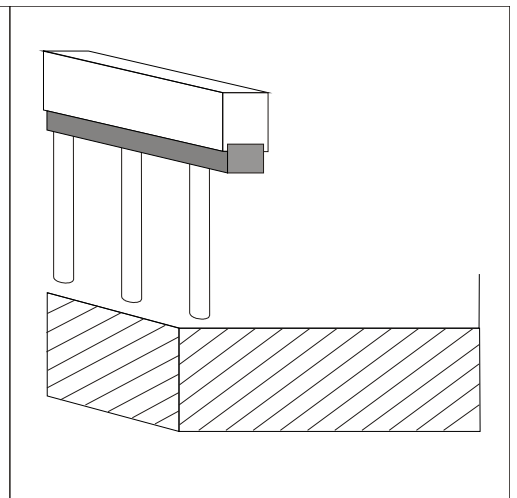
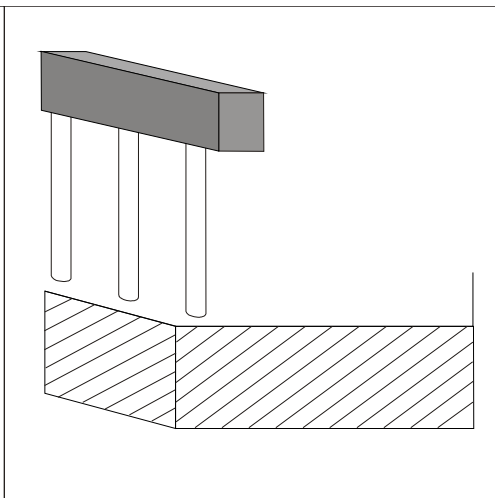
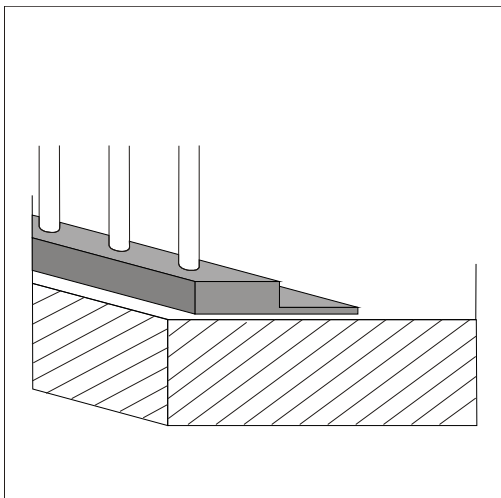
Balcony / Posts



Version CAD-ND

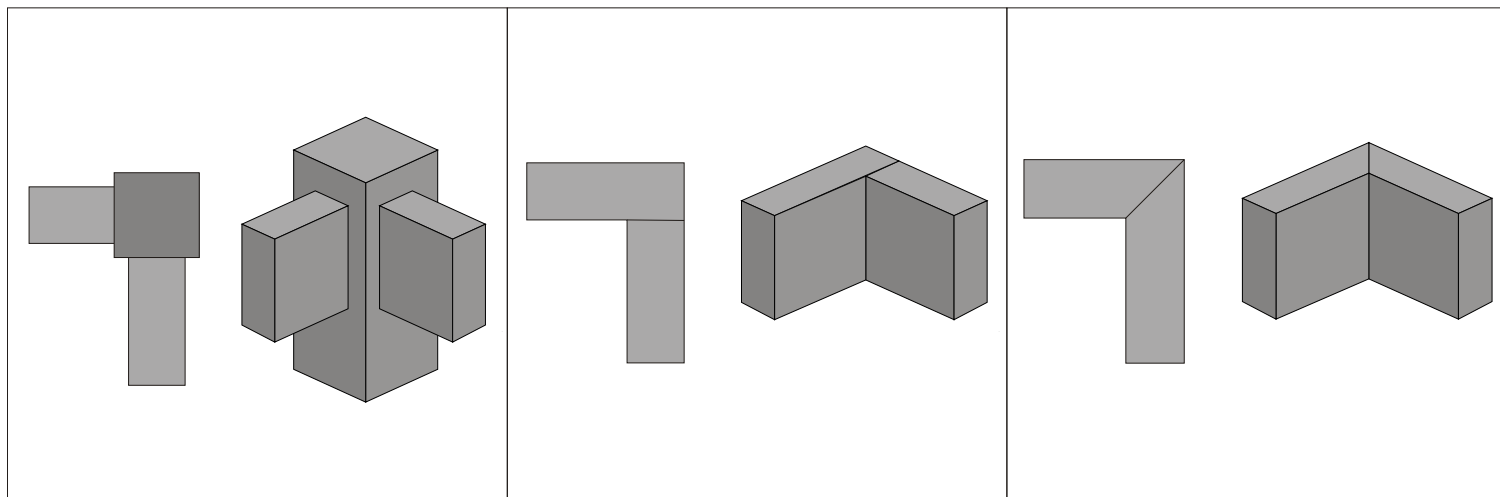


Balcony / Railing

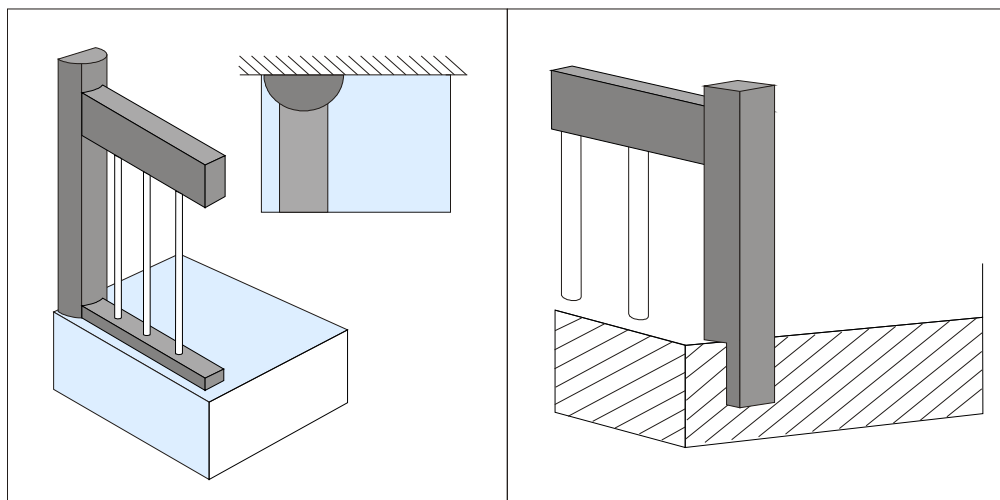


Version CAD-ND

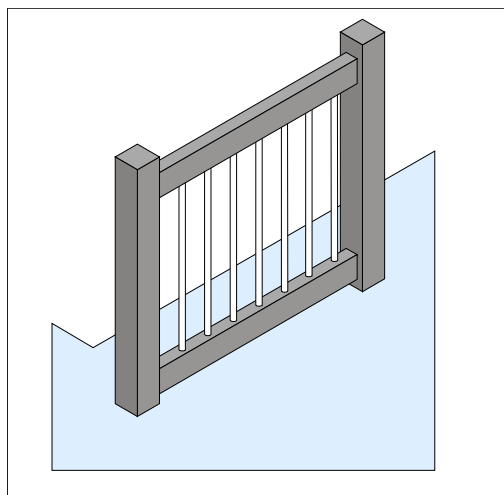
Balcony / Connection



Balcony / Details



Balcony / Infills

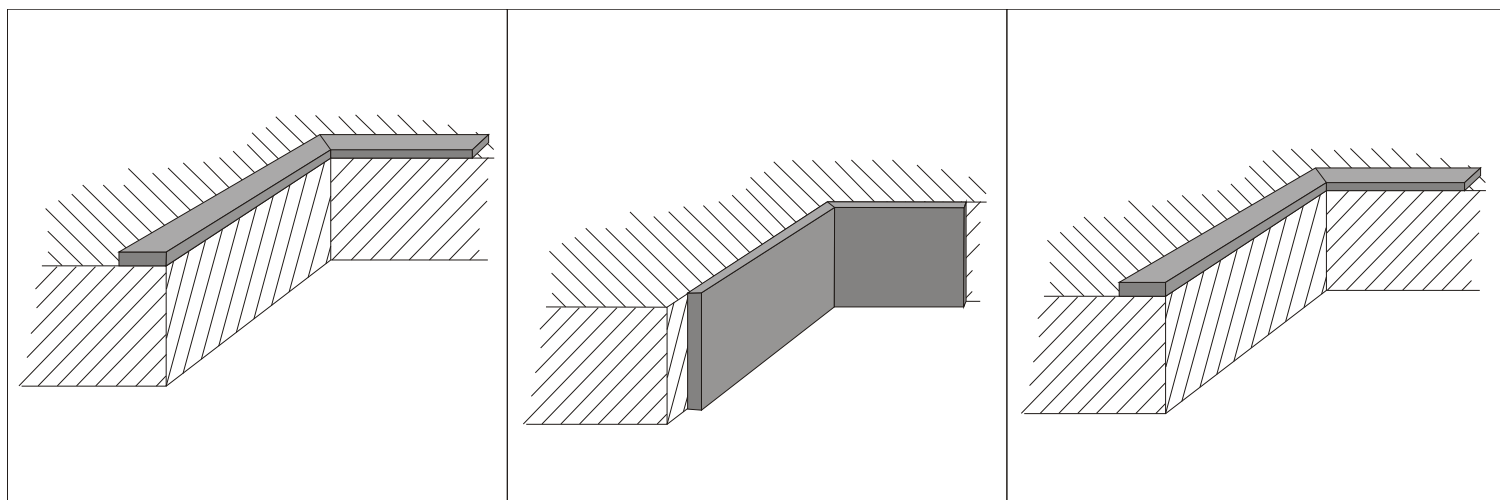


Version CAD-ND

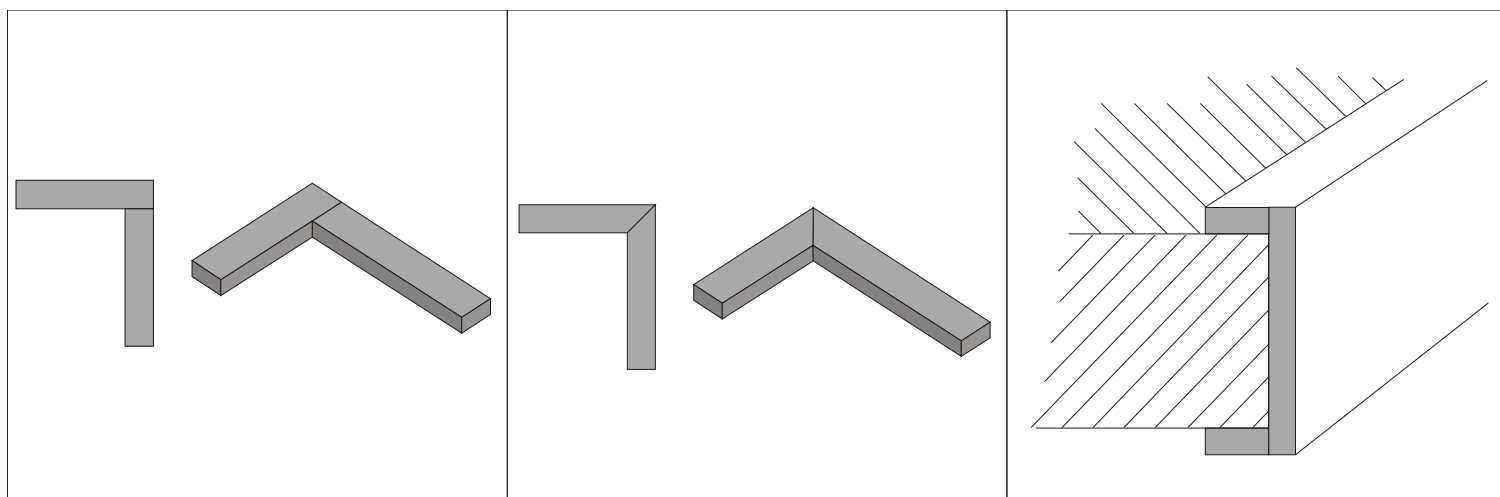
Balcony / Output

Stückliste		Seite: 1	
Artik.	Bezeichnung	Menge	Einheit
Stg-Handlauf			
1	070	0,00	0,00
1	08 25	0,00	0,00
1	08 50	0,00	0,00
1	110 00	0,00	0,00
1	120 00	0,00	0,00
1	08 50	0,00	0,00
1	08 25	0,00	0,00
Stg-Unterger.			
1	00 10	0,00	0,00
1	00 15	0,00	0,00
1	00 20	0,00	0,00
1	00 25	0,00	0,00
1	00 30	0,00	0,00
1	00 35	0,00	0,00
1	00 40	0,00	0,00
1	00 45	0,00	0,00
1	00 50	0,00	0,00
Stg-Säule			
000	11 00	0,00	0,00
Stg-Platten			
1	00 00	0,00	0,00
2	00 00	0,00	0,00
4	00 00	0,00	0,00
6	00 00	0,00	0,00

Facia / Type

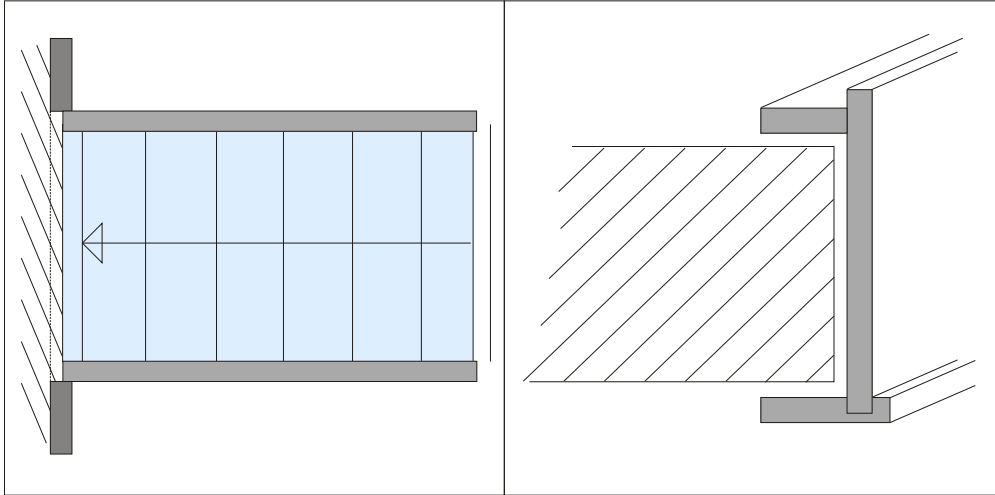


Facia / Connection

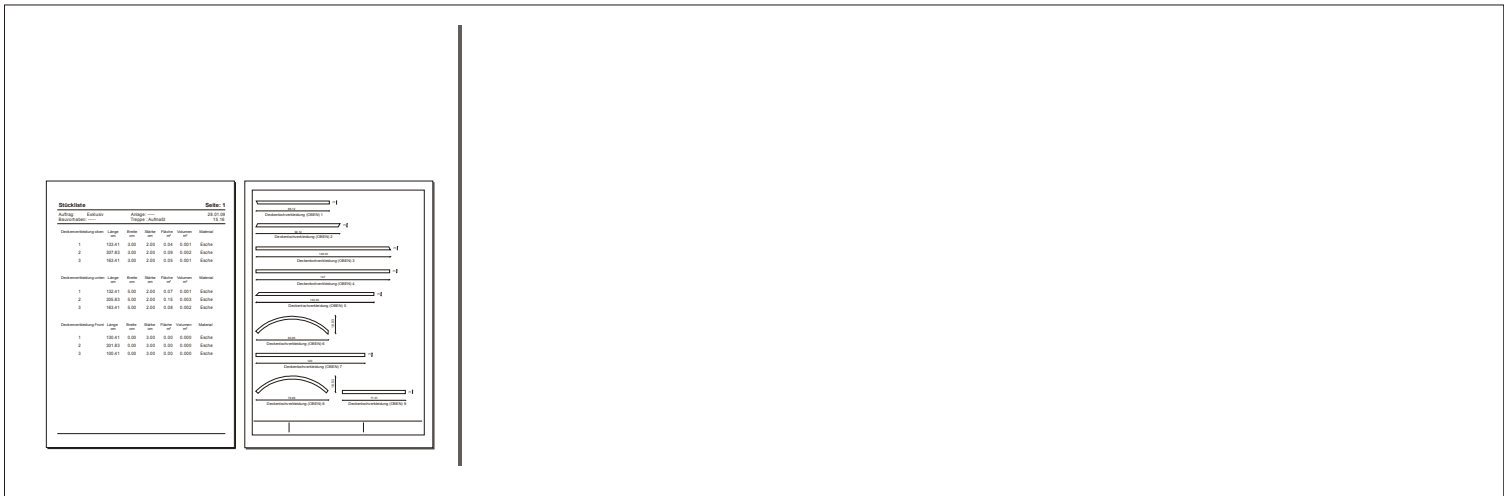


Version CAD-ND

Facia / Details



Facia / Output





Compass Software

Software for staircase manufacturing

Version CAD-ND

CAD ND **- TVU-No. ND0510 -**

Important!

The 3D pictures shown on several pages are only given for clarity. The 3D is not part of the standard construction program and only possible with the option 3D-Plus.

Reprinting, copying or storing of this program description or parts of it on electronic data-processing devices is not allowed. A translation, however, is allowed, but only with the explicit permission of CS.

Patented names or product names in this program description may be subject to legal protection of copyright and trademarks.

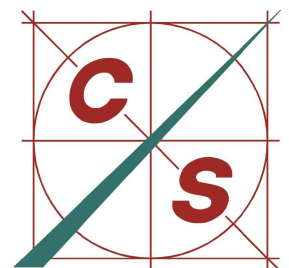
Compass Software GmbH

Steinhammerstr. 140 a
44379 Dortmund

Tel.: +49 (0) 2 31 98 12 90-0
Fax: +49 (0) 2 31 98 12 90-10

Web: www.compass-software.de
Mail: mail@compass-software.de

© Compass Software GmbH 2009
All rights reserved



Compass Software