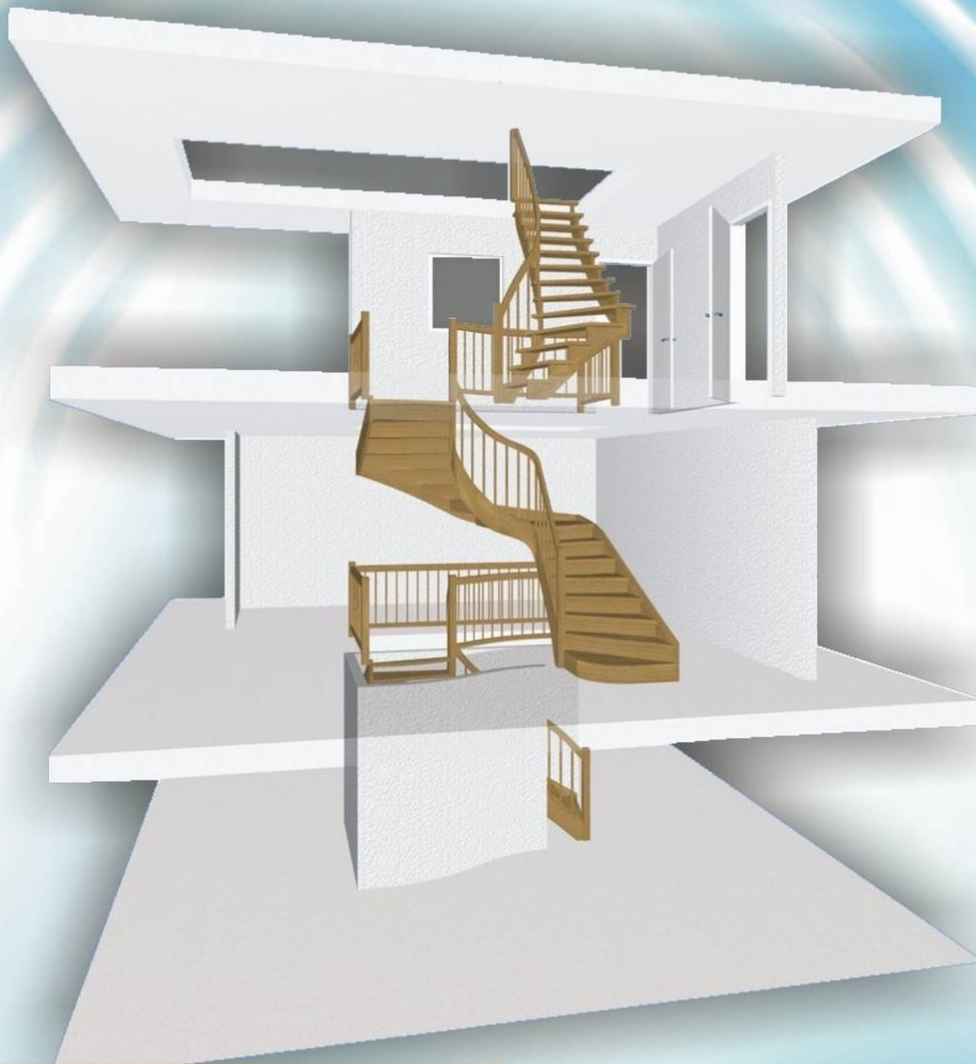


New Dimension



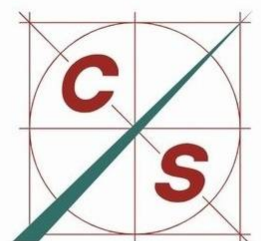
Staircase-Software Programs

Version CAD-ND-Plus

Article no. 00119501



constructing/presenting

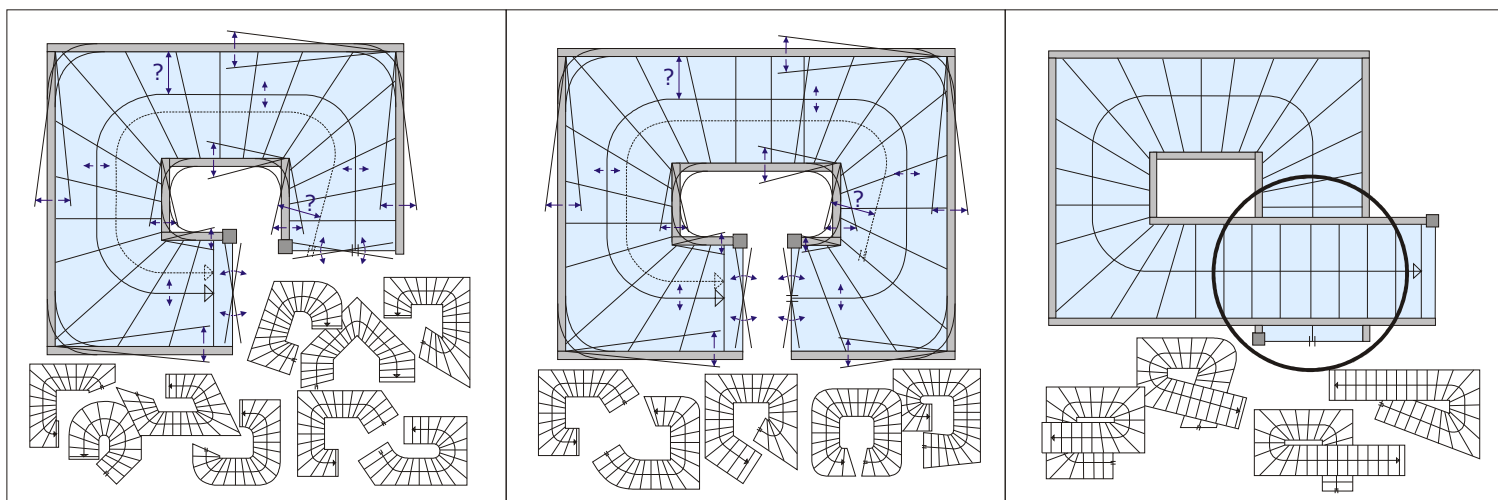
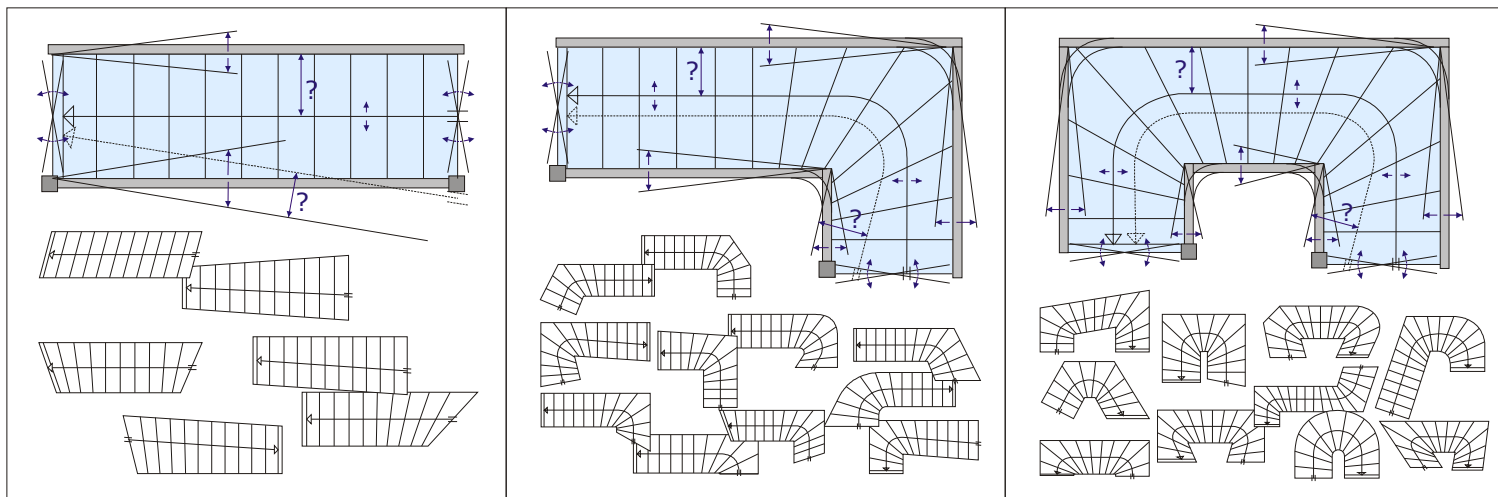


Compass Software

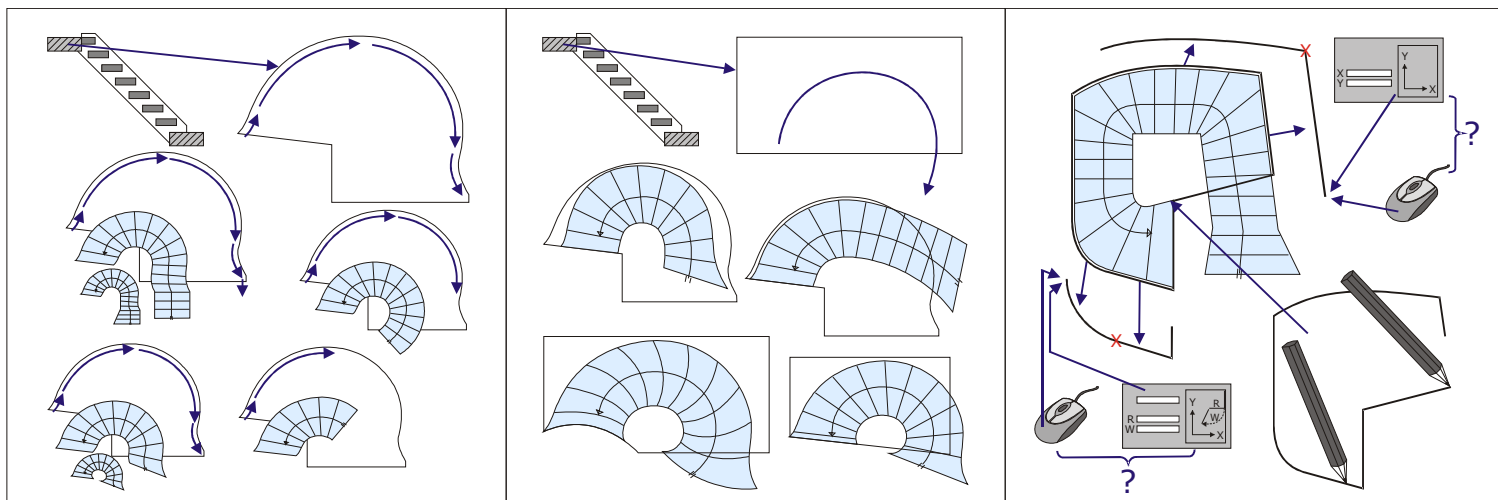
Software for staircase manufacturing

Version CAD-ND-Plus

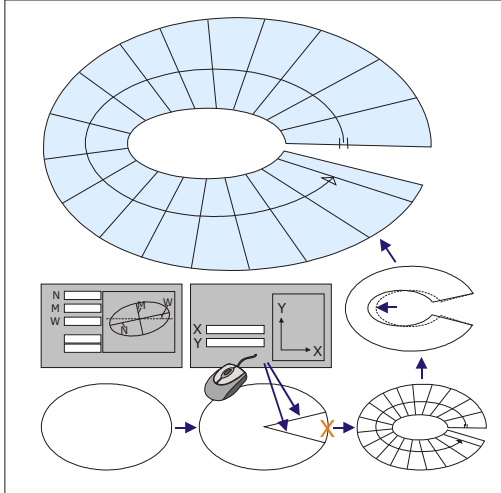
Ground plan / Ground plan standard



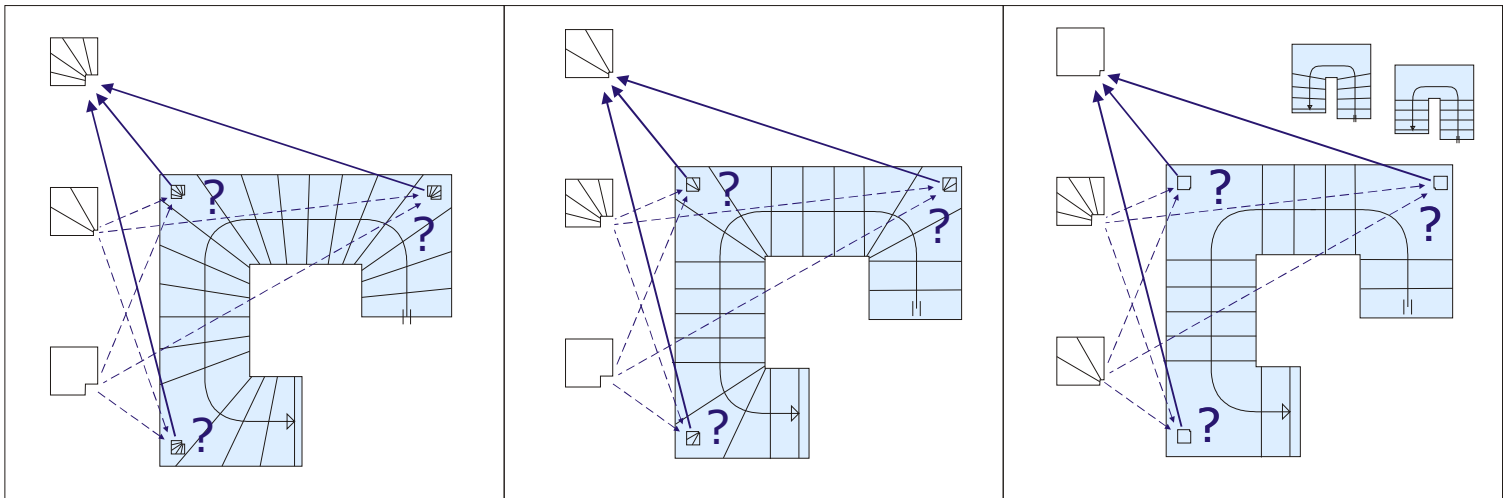
Ground plan / Ground plan freeform



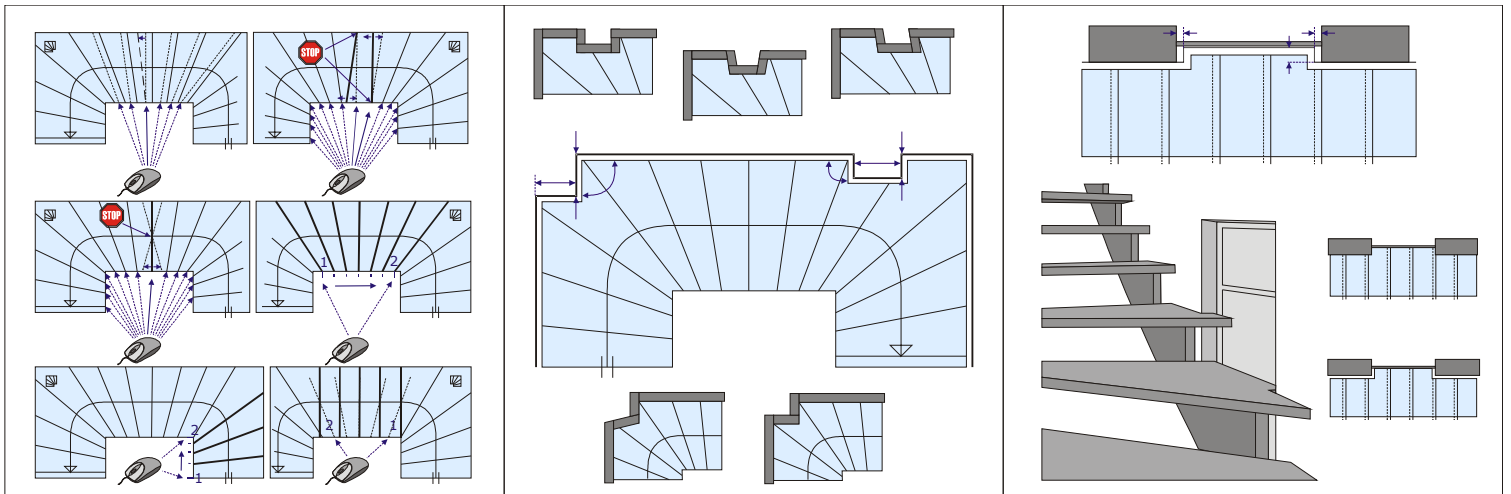
Version CAD-ND-Plus



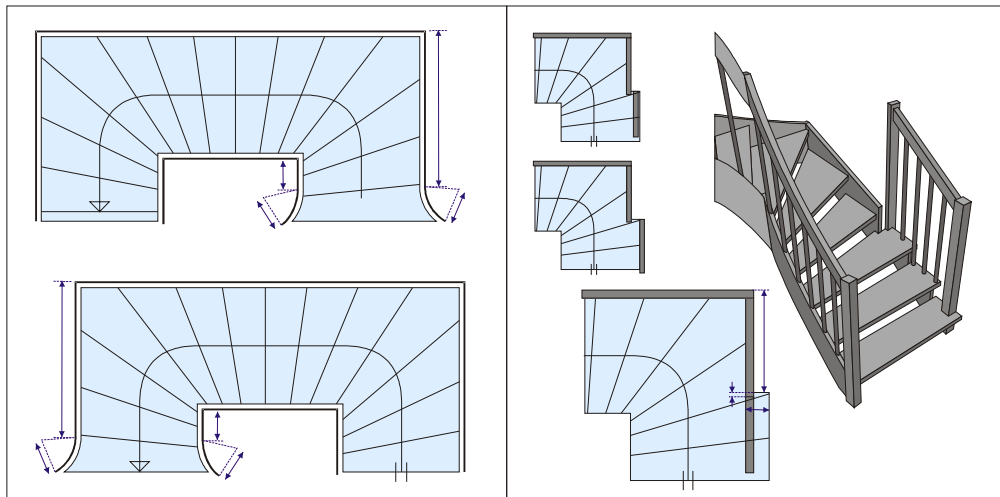
Ground plan / Type in corner



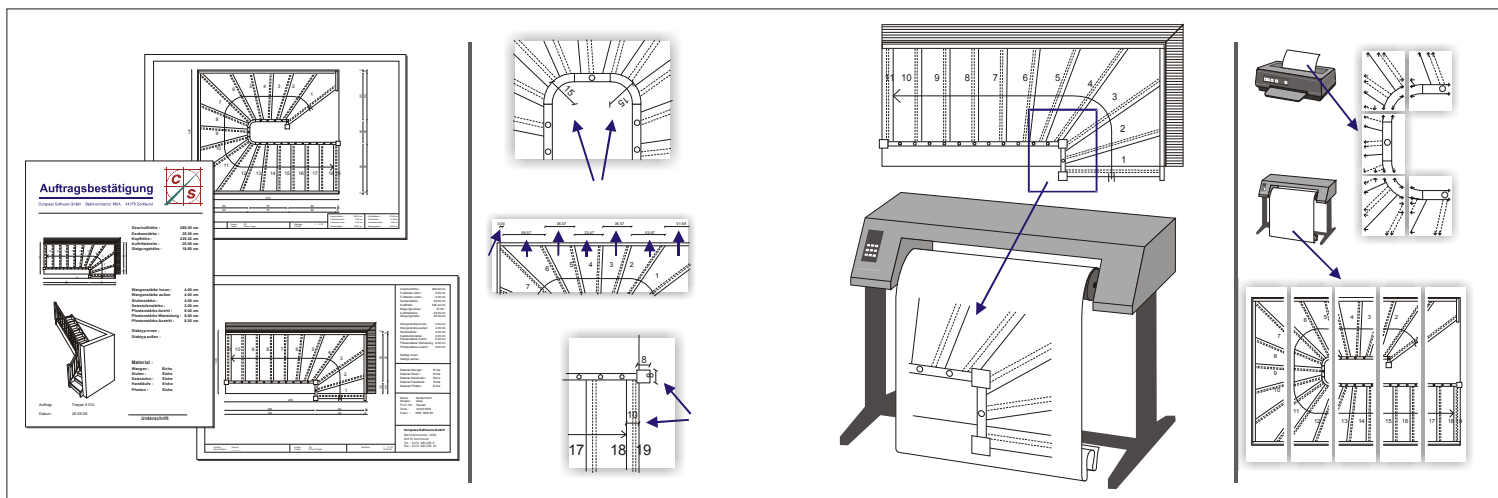
Ground plan / Details



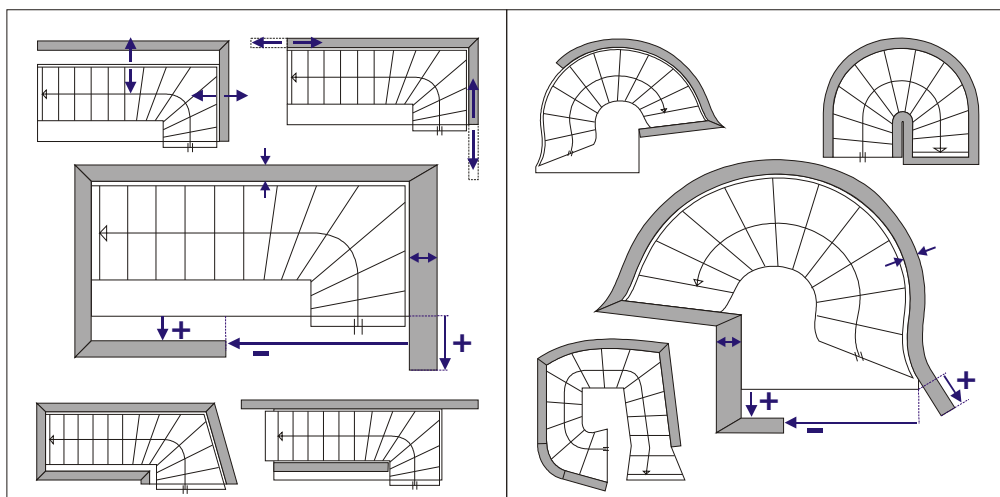
Version CAD-ND-Plus



Ground plan / Output

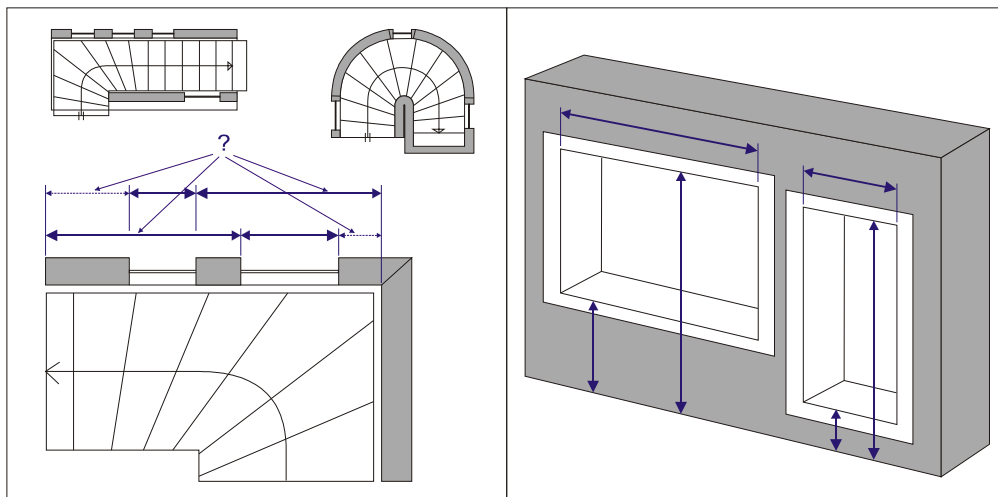


Walls / Walls

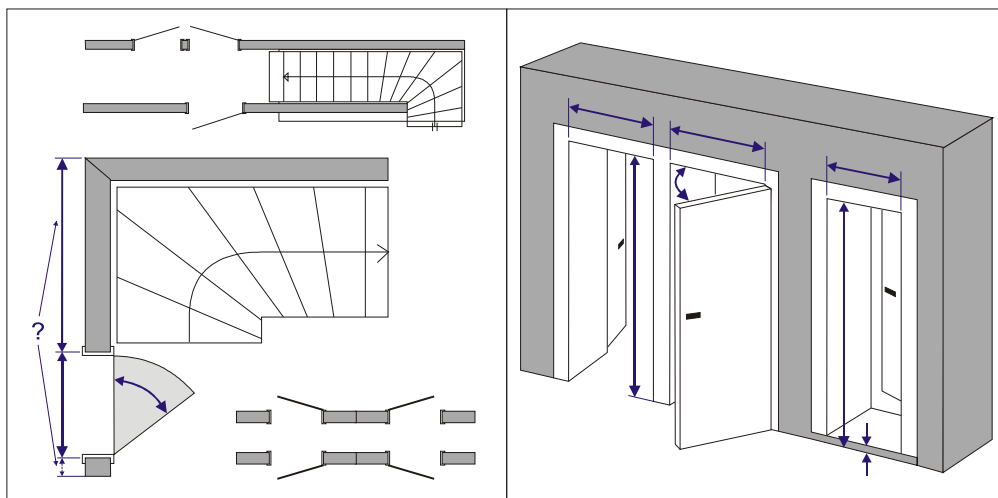


Version CAD-ND-Plus

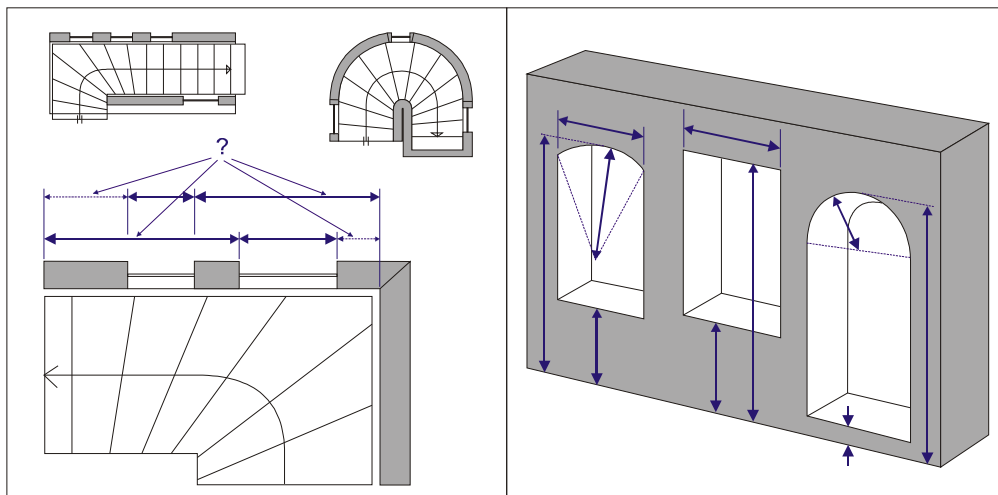
Walls / Windows



Walls / Doors

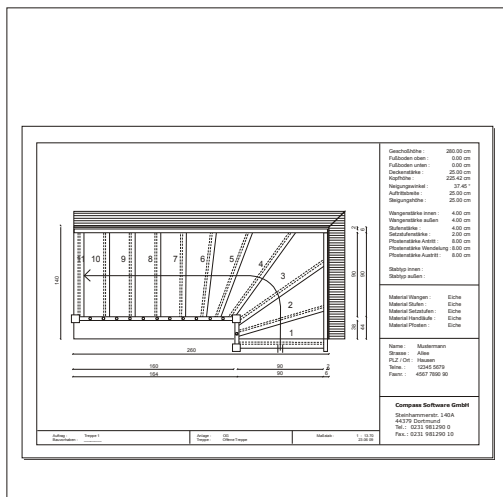


Walls / Wall opening

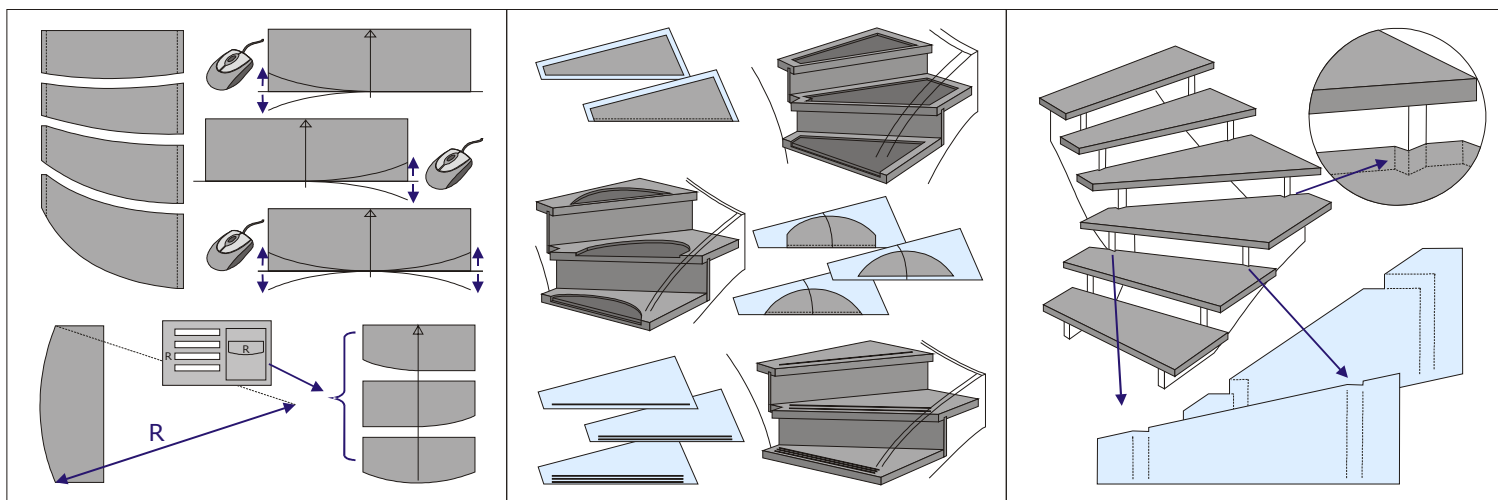
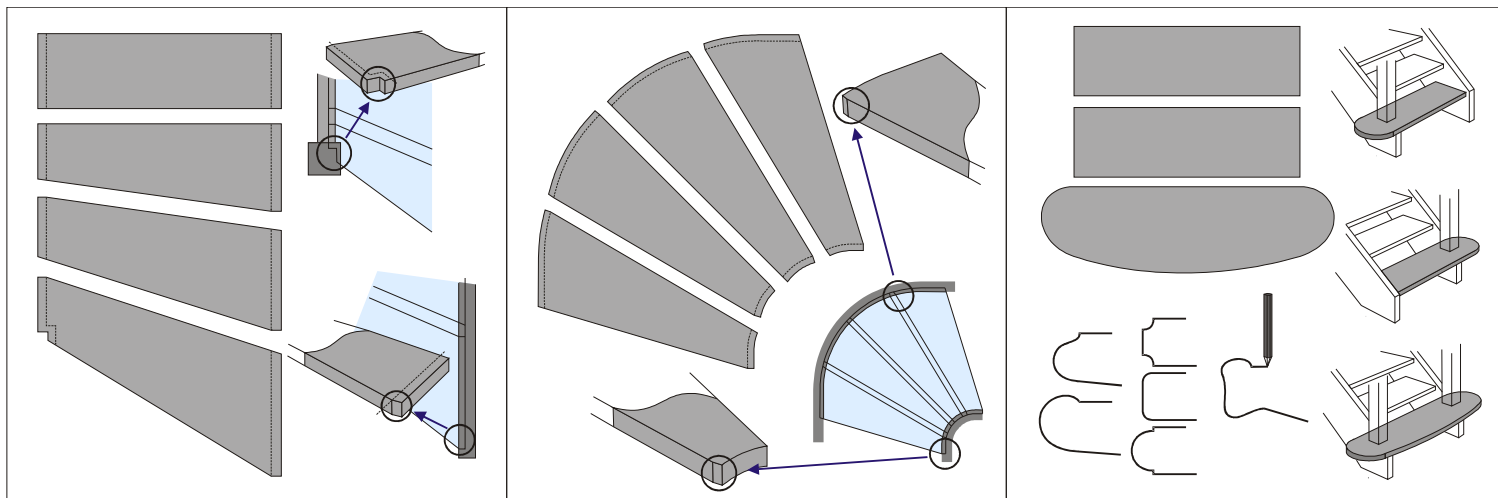


Version CAD-ND-Plus

Walls / Output

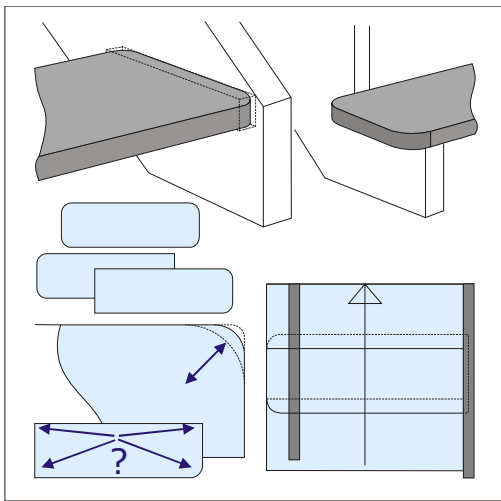
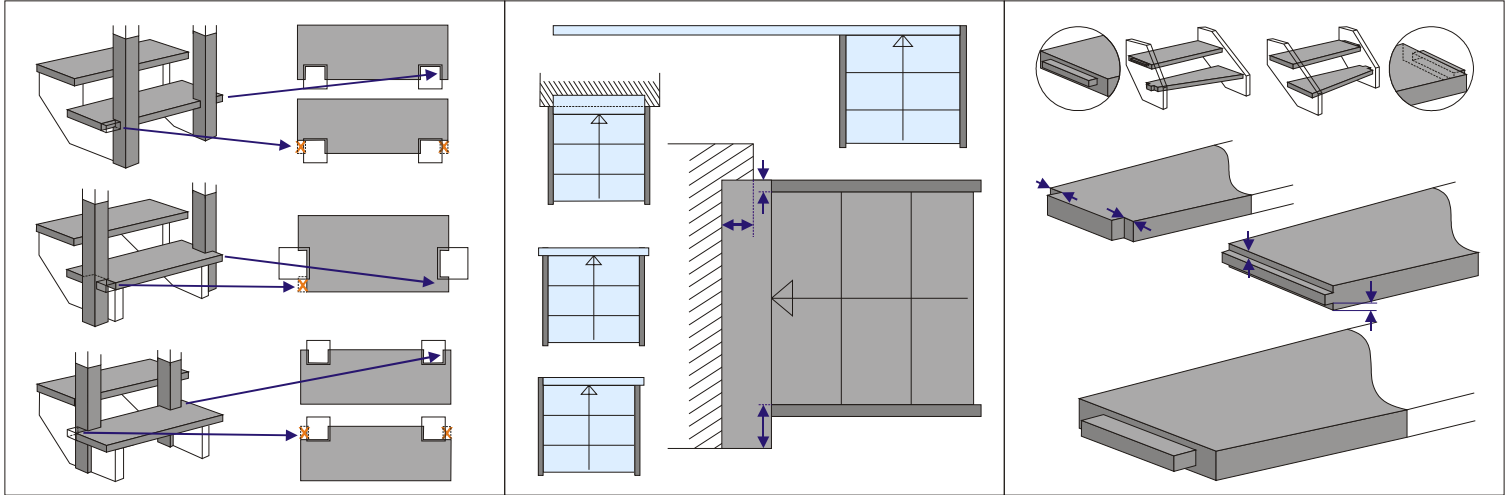


Treads / Type

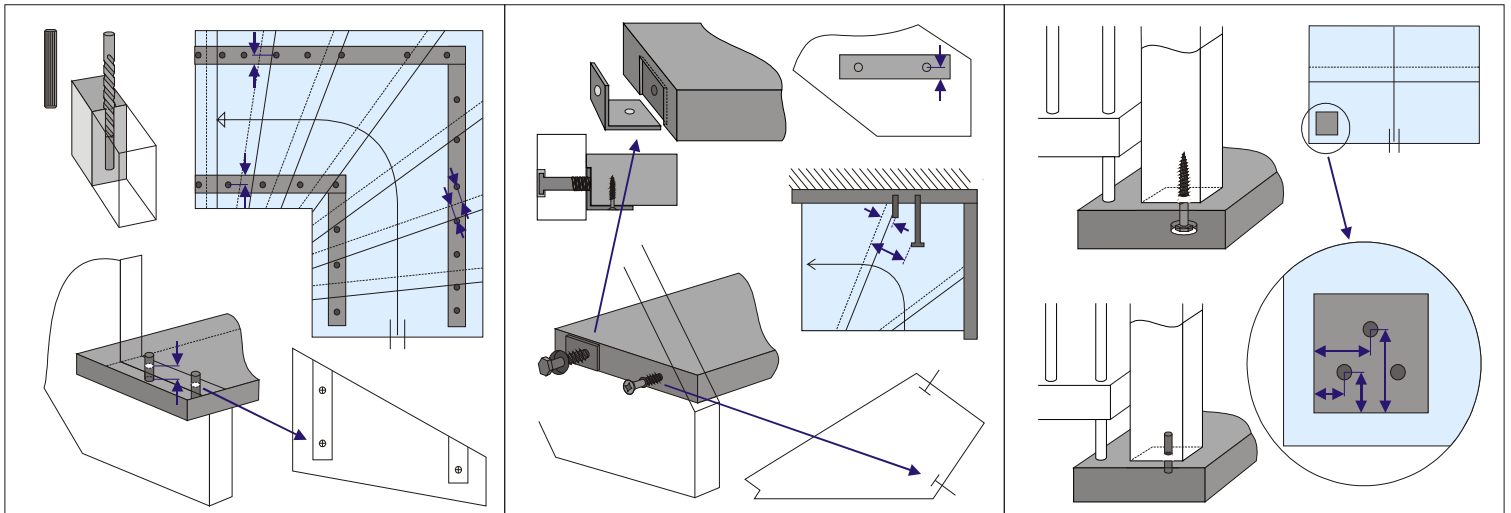


Version CAD-ND-Plus

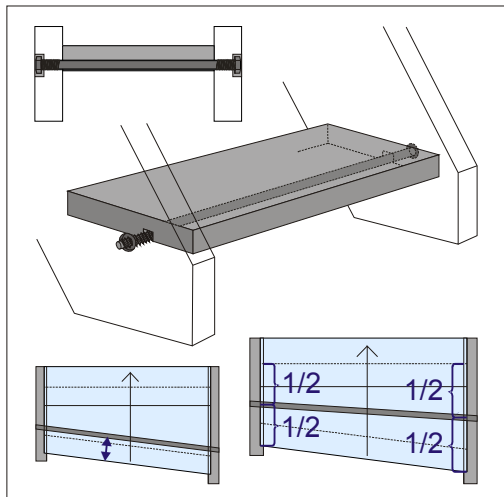
Treads / Details



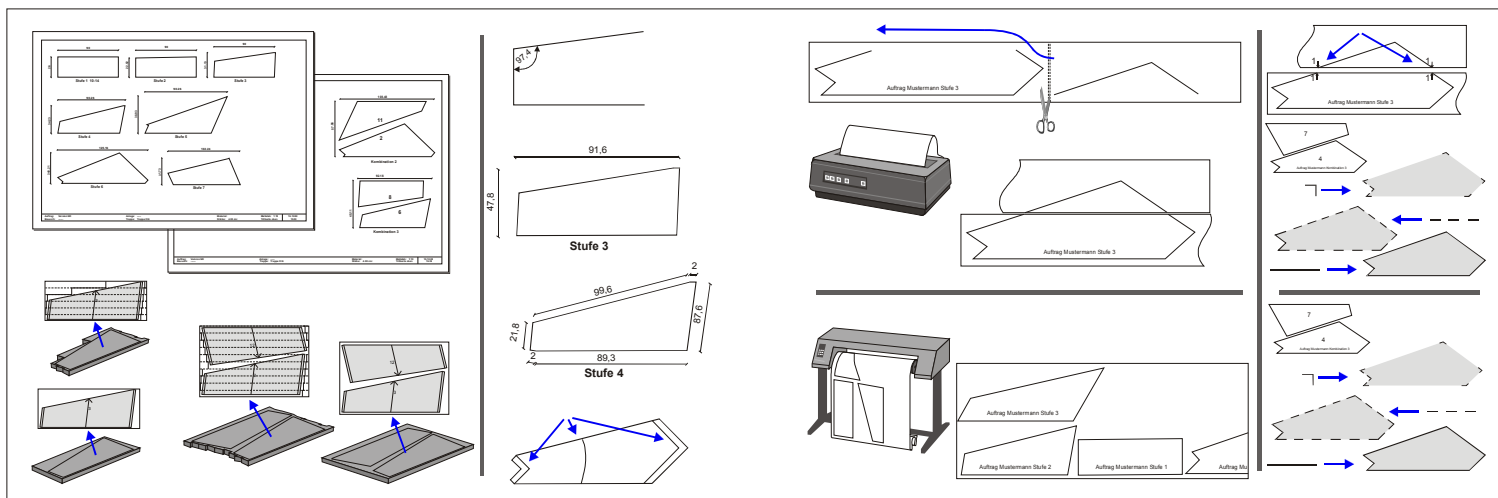
Treads / Drillings



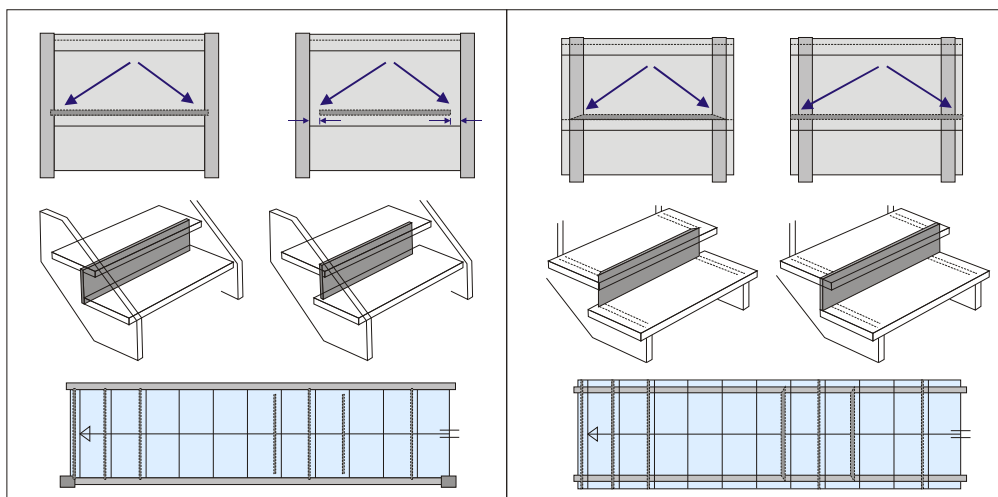
Version CAD-ND-Plus



Treads / Output

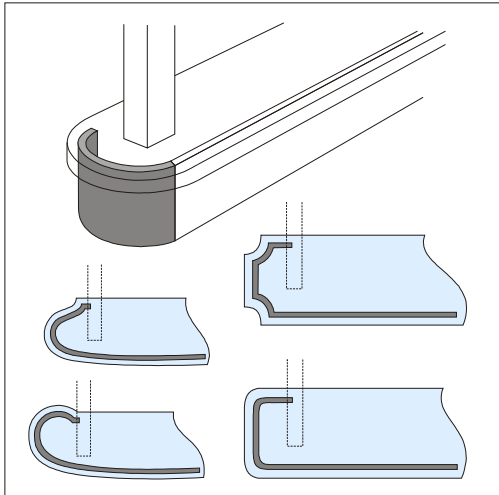


Risers / Type

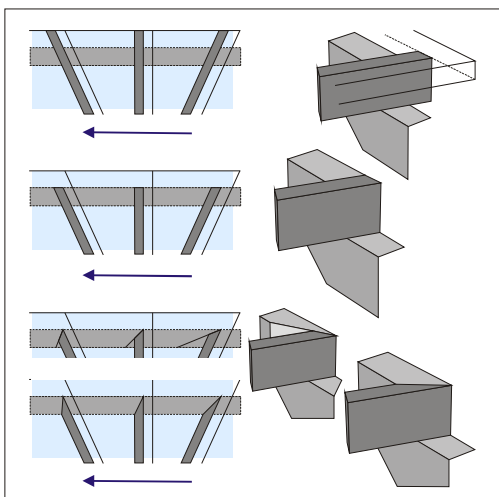
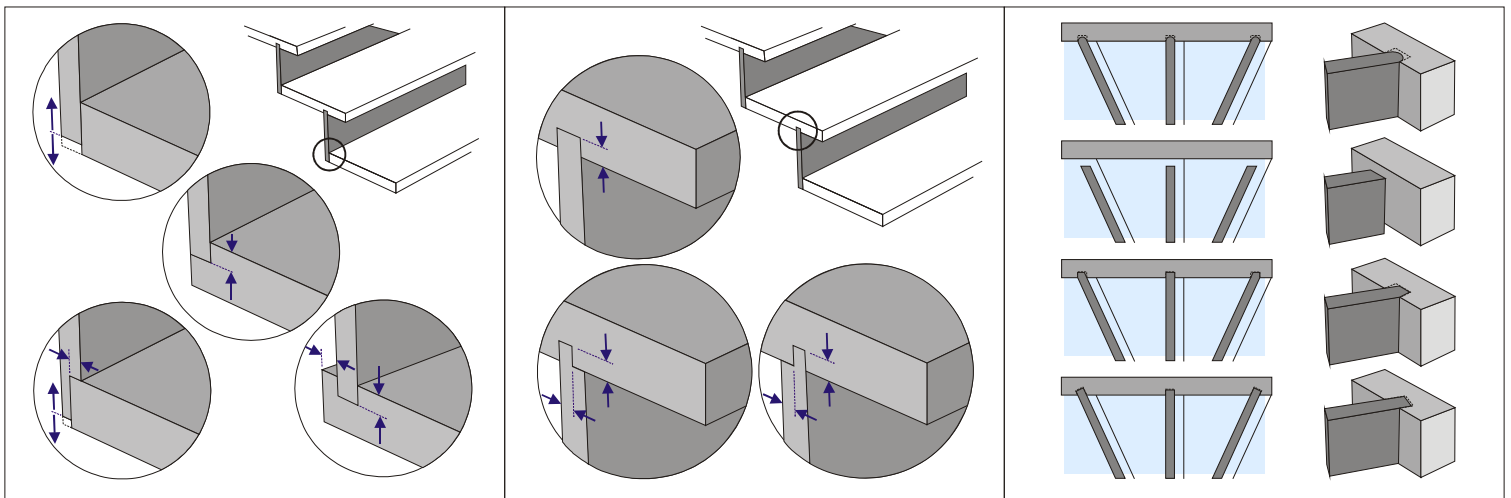


Version CAD-ND-Plus

Risers / Details

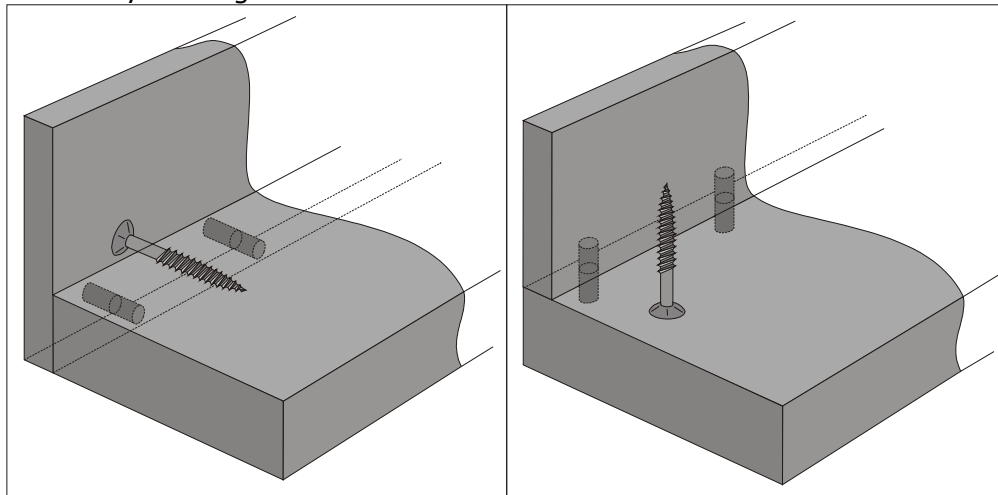


Risers / Connection

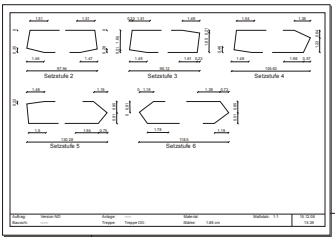


Version CAD-ND-Plus

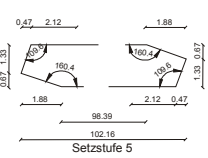
Risers / Drillings



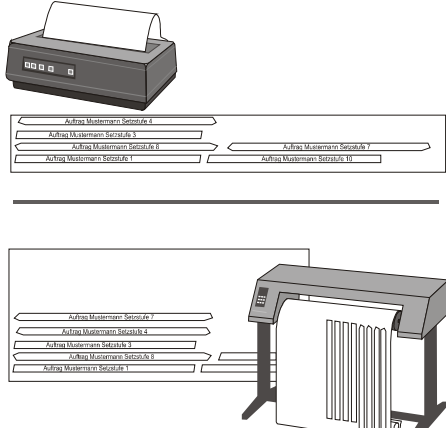
Risers / Output



Setzstufe	Länge	Breite	Stärke	Material
1	96,00	14,67	2,00	Esche
2	96,00	18,67	2,00	Esche
3	96,02	18,67	2,00	Esche
4	96,00	18,67	2,00	Esche
5	102,45	18,67	2,00	Esche
6	118,13	18,67	2,00	Esche
7	118,47	18,67	2,00	Esche
8	95,00	18,67	2,00	Esche
9	116,90	18,67	2,00	Esche
10	144,20	18,67	2,00	Esche
11	117,84	18,67	2,00	Esche
12	102,07	18,67	2,00	Esche
13	95,00	18,67	2,00	Esche
14	95,00	18,67	2,00	Esche

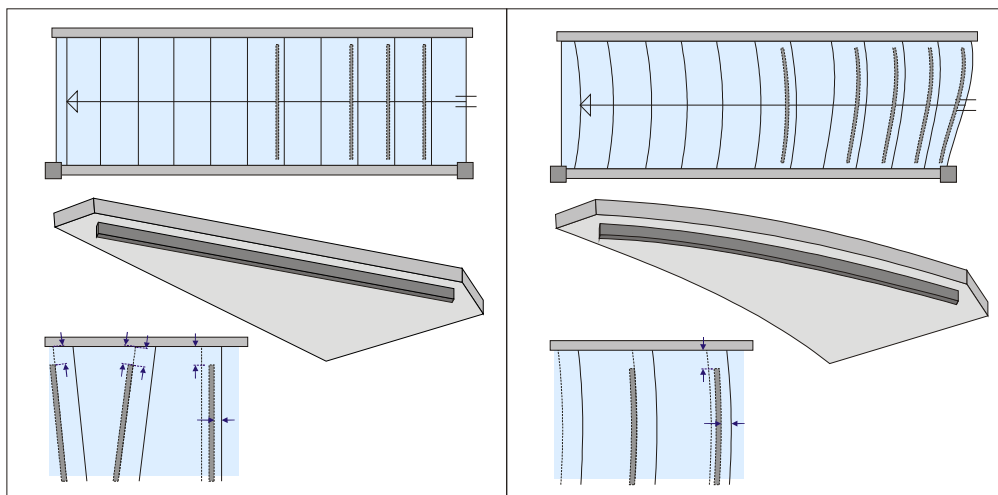


Setzstufe 5



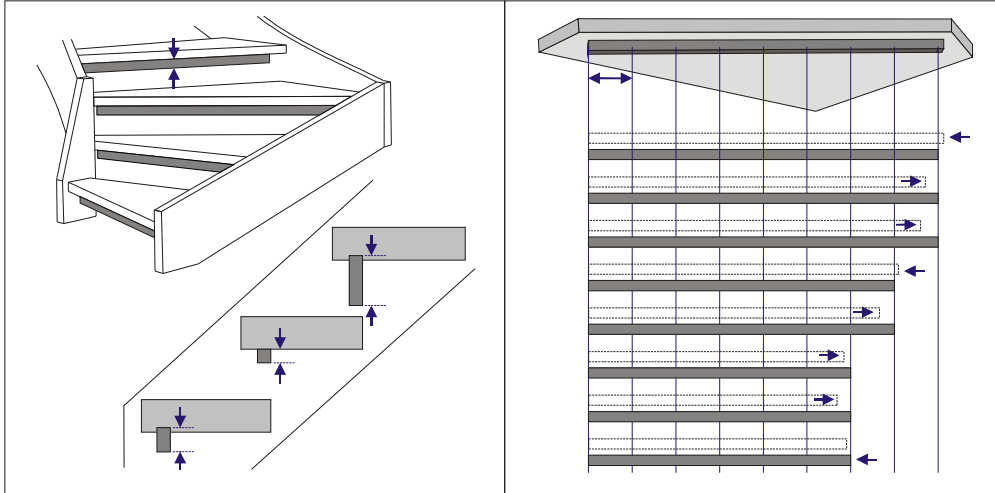
Auftrag Mustermann Setzstufe 2
Auftrag Mustermann Setzstufe 3
Auftrag Mustermann Setzstufe 4
Auftrag Mustermann Setzstufe 5
Auftrag Mustermann Setzstufe 6
Auftrag Mustermann Setzstufe 7
Auftrag Mustermann Setzstufe 8
Auftrag Mustermann Setzstufe 9
Auftrag Mustermann Setzstufe 10

Child protection lists / Type

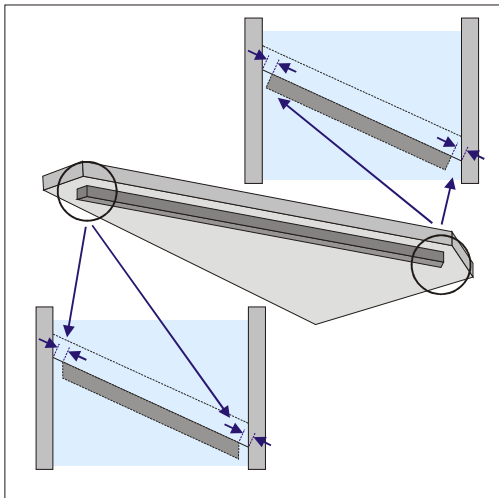


Version CAD-ND-Plus

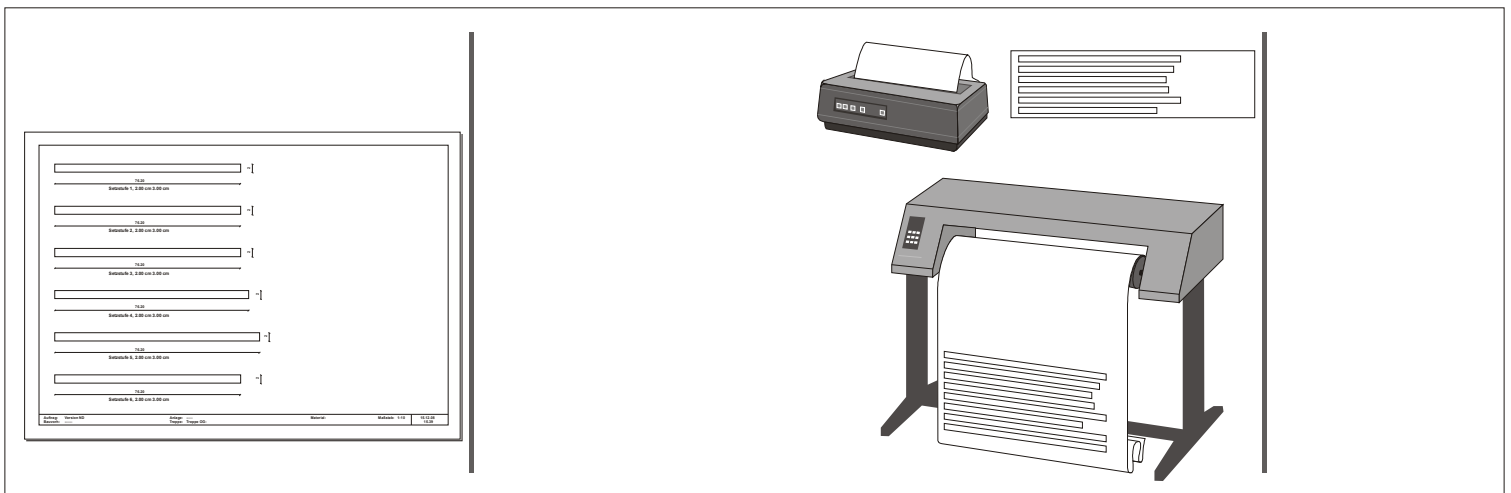
Child protection lists / Details



Child protection lists / Connection

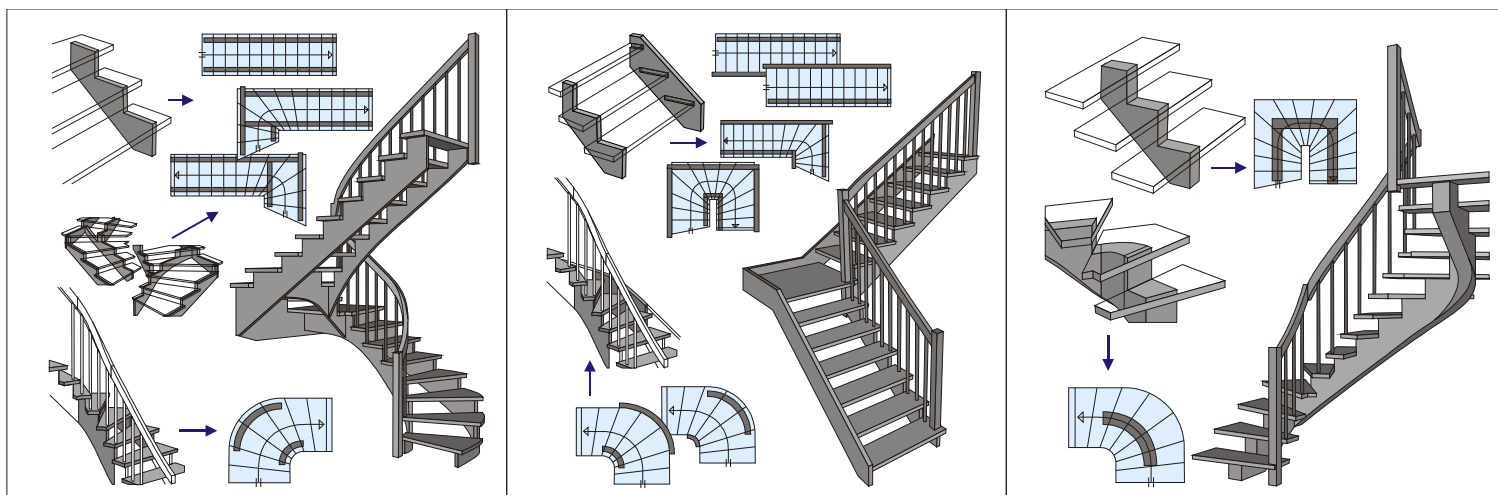
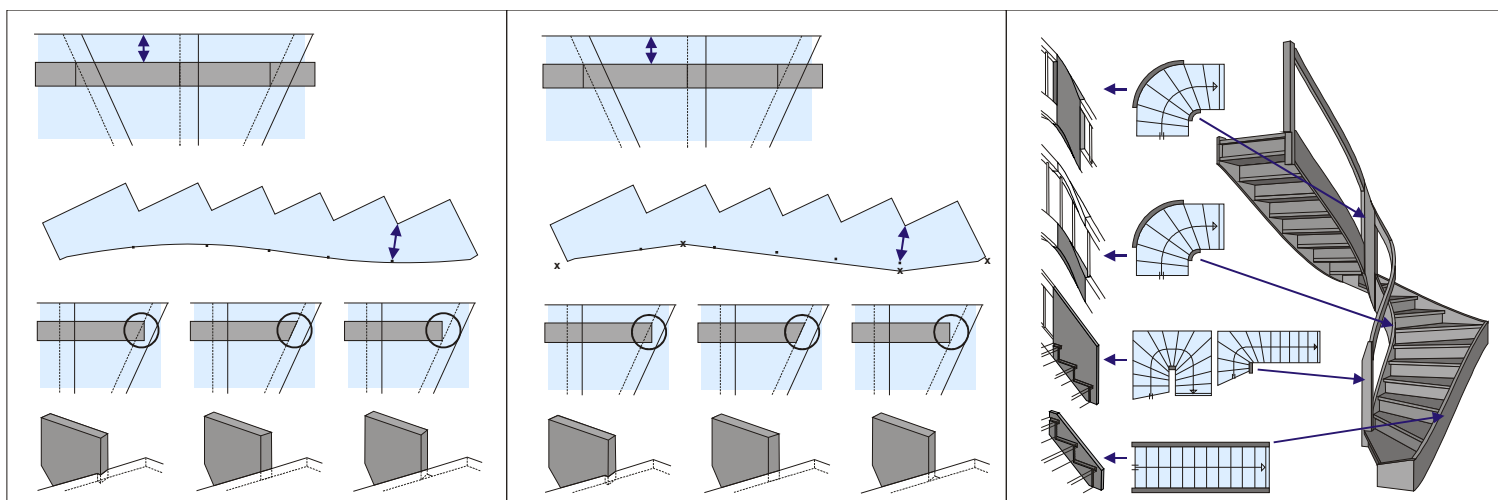
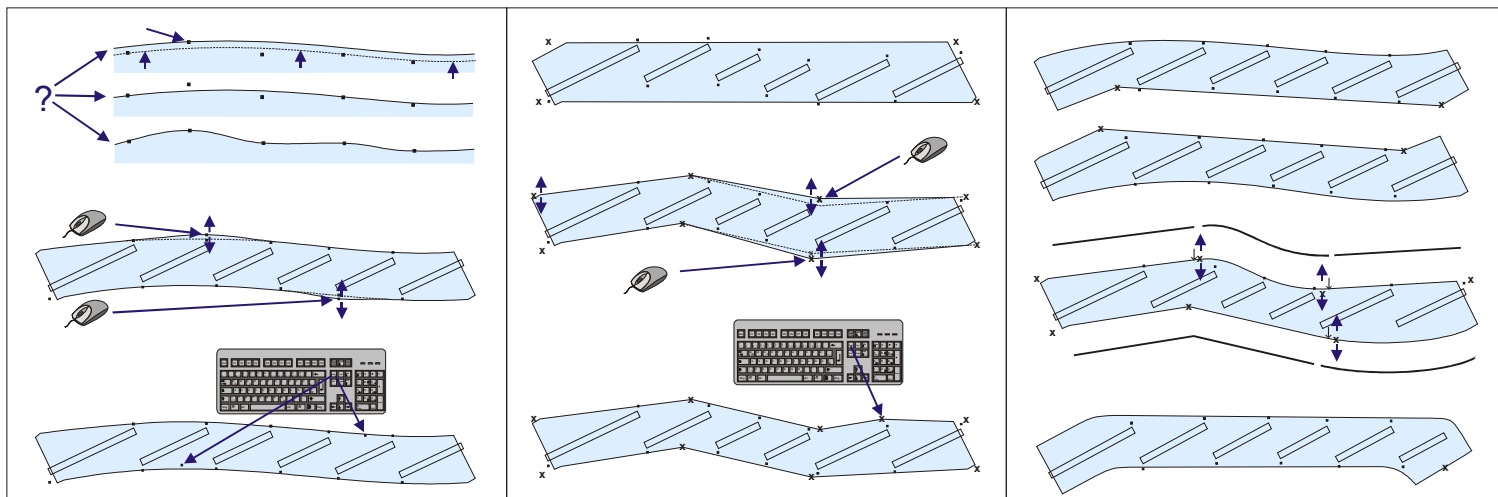


Child protection lists / Output



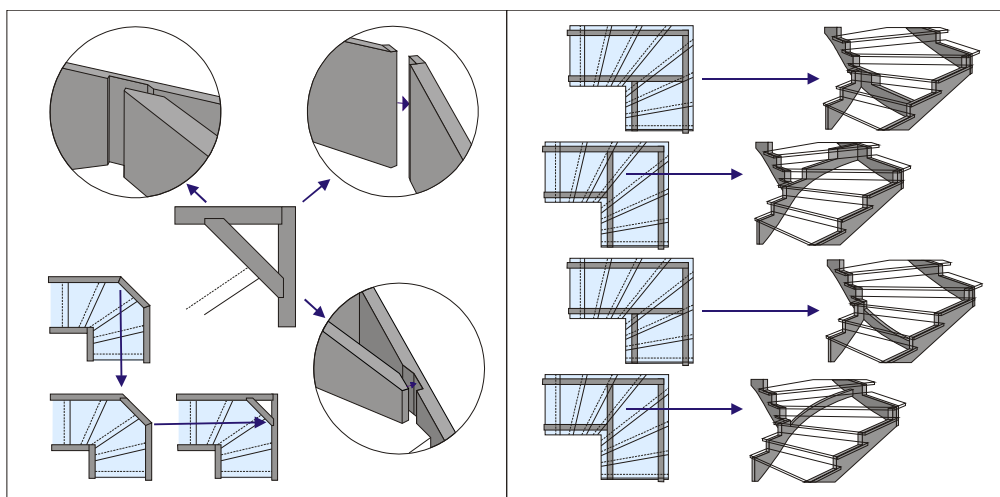
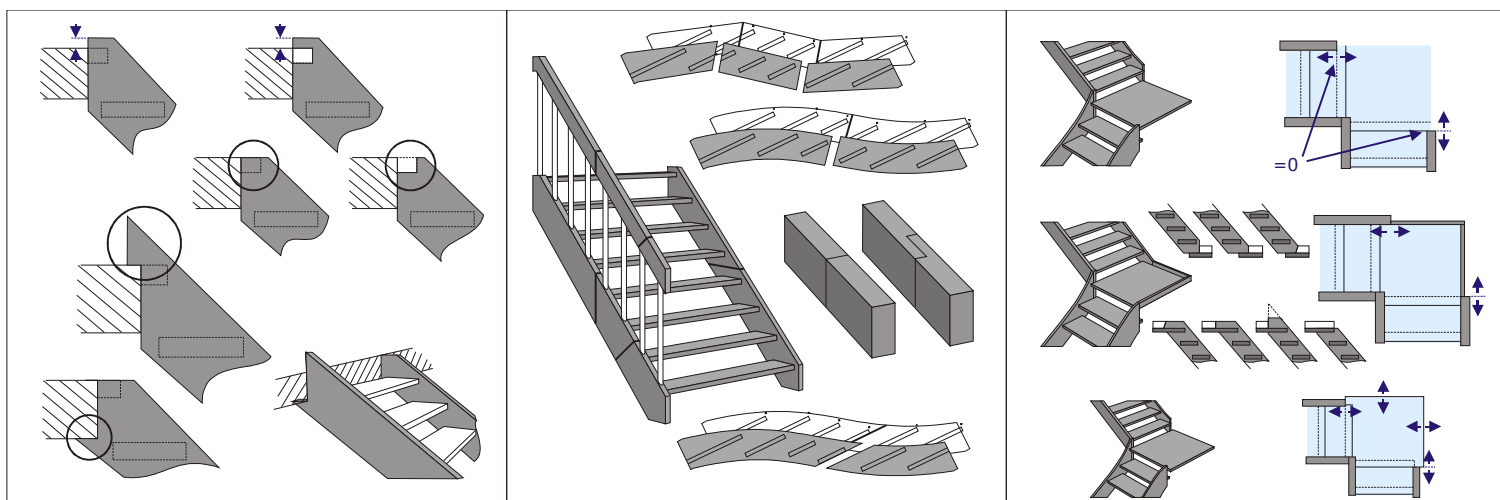
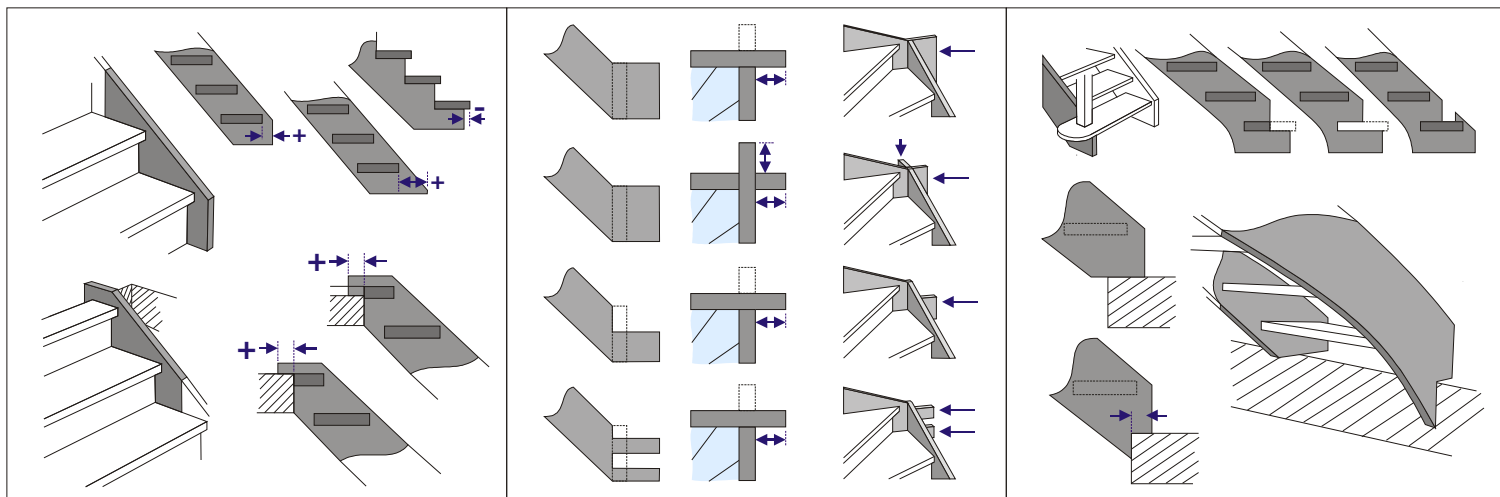
Version CAD-ND-Plus

Stringers / Type



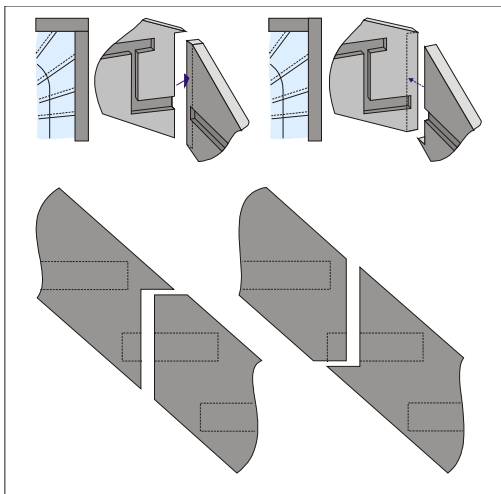
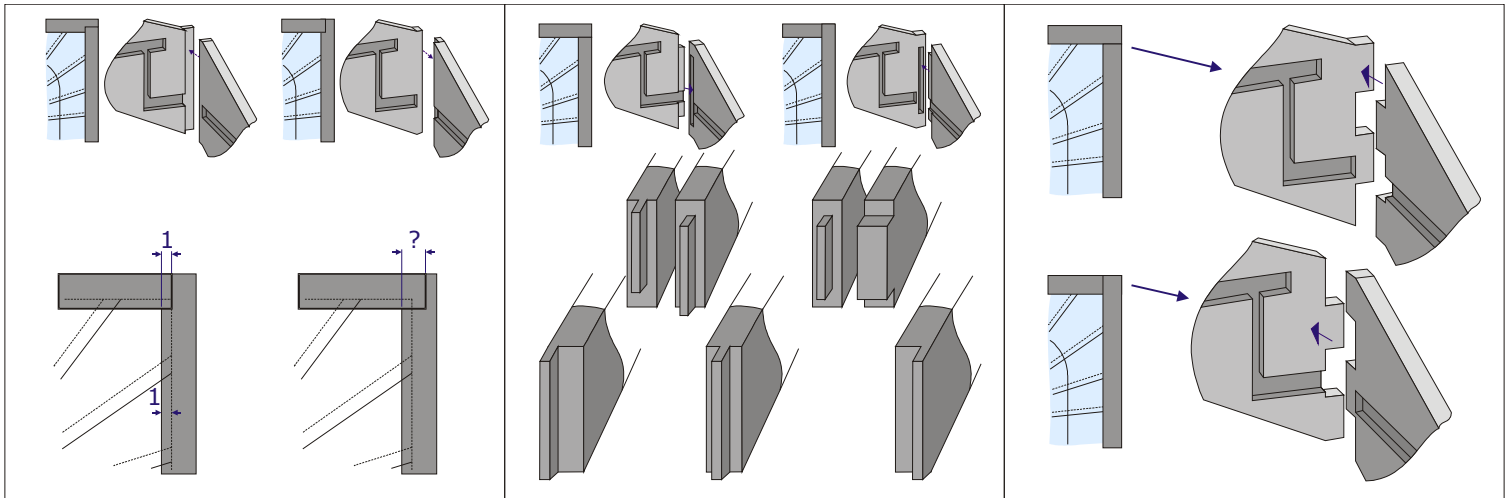
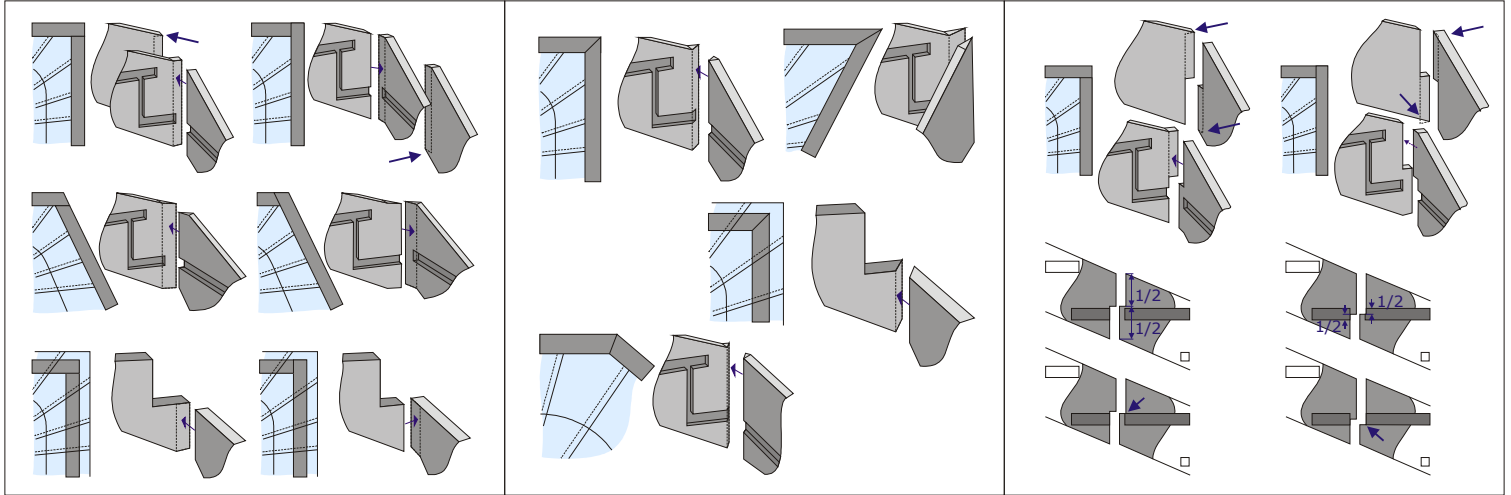
Version CAD-ND-Plus

Stringers / Details



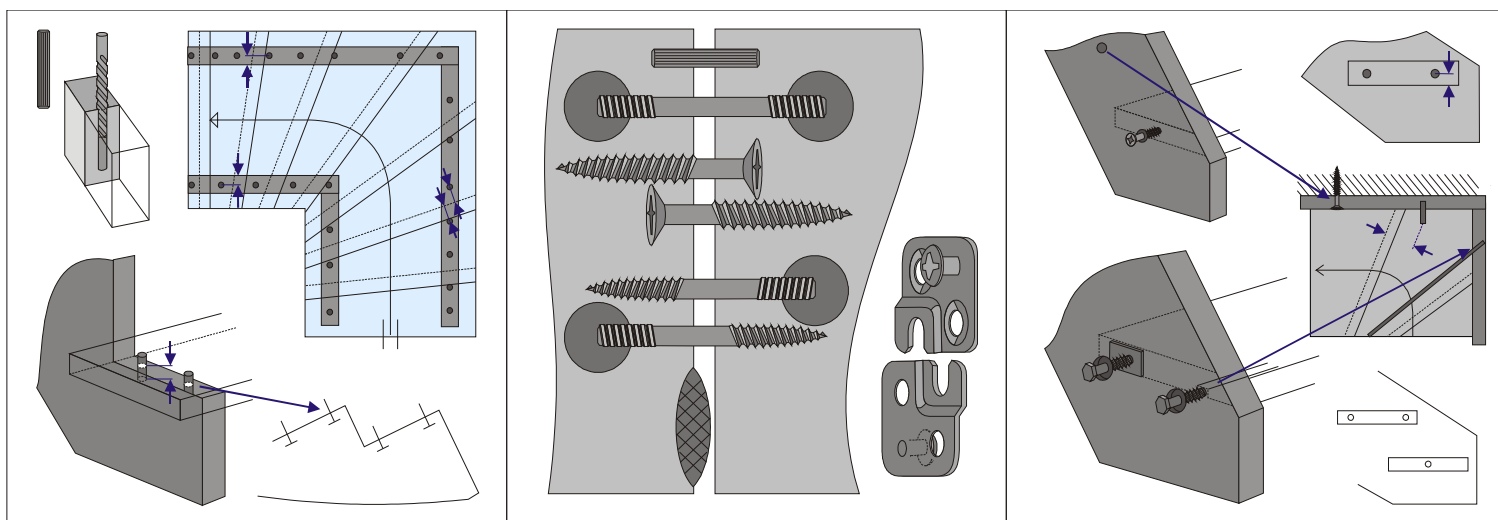
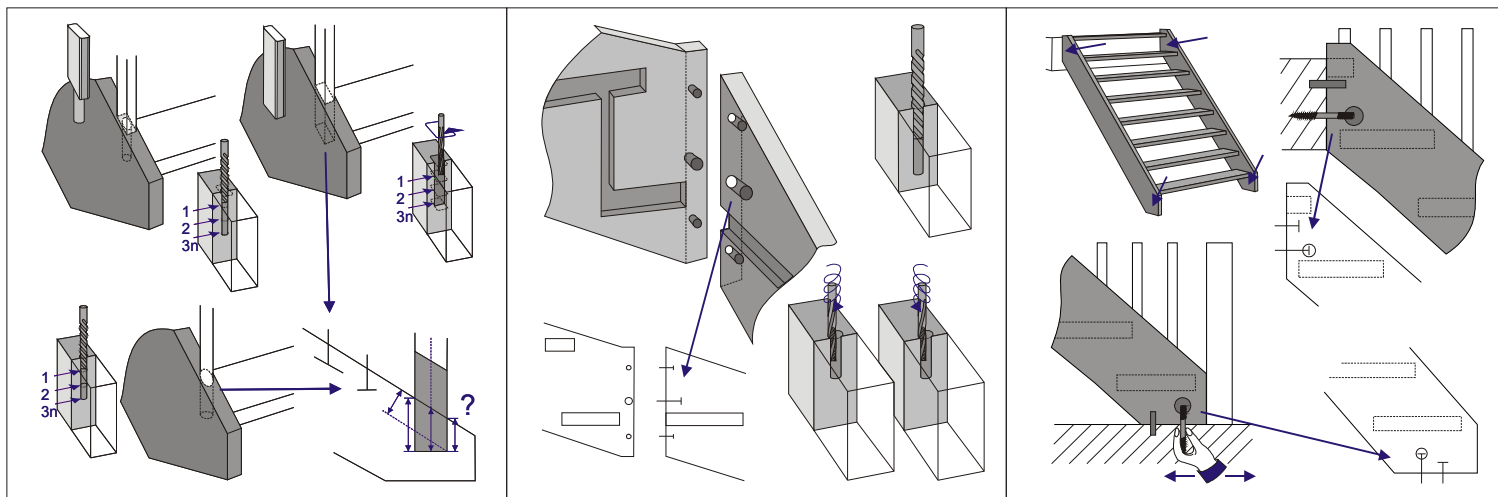
Version CAD-ND-Plus

Stringers / Connection

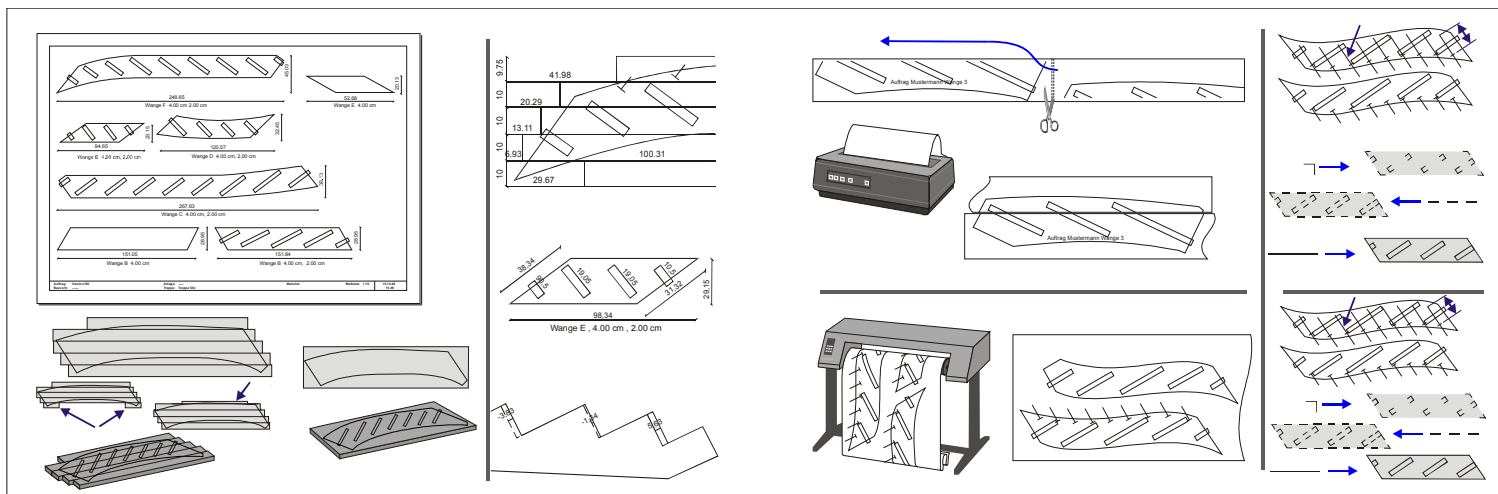


Version CAD-ND-Plus

Stringers / Drillings

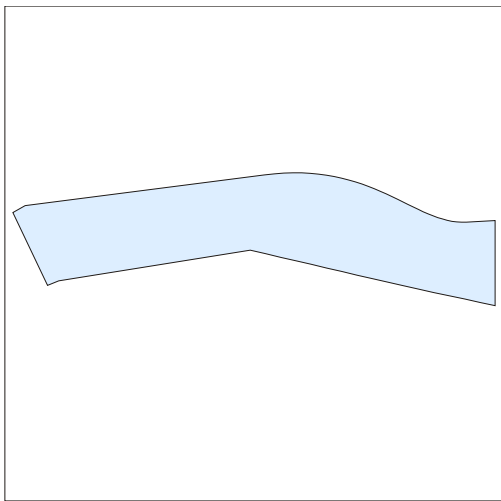
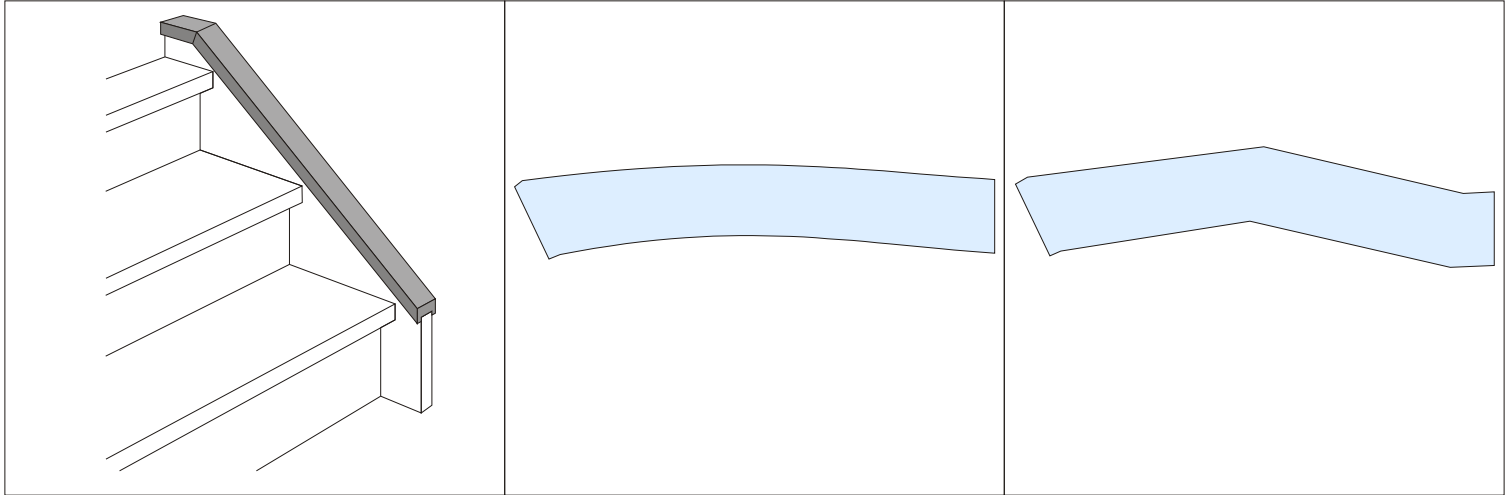


Stringers / Output

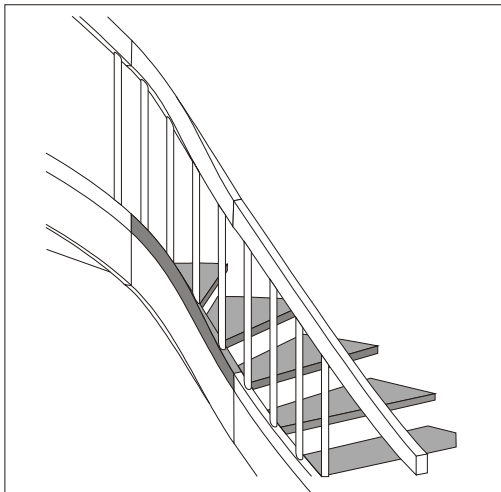


Version CAD-ND-Plus

Stringer lists / Type

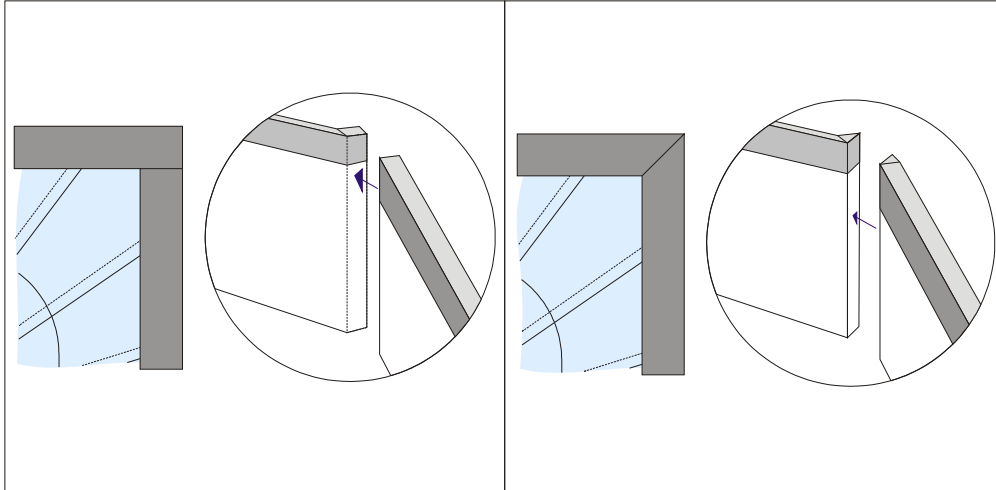


Stringer lists / Details

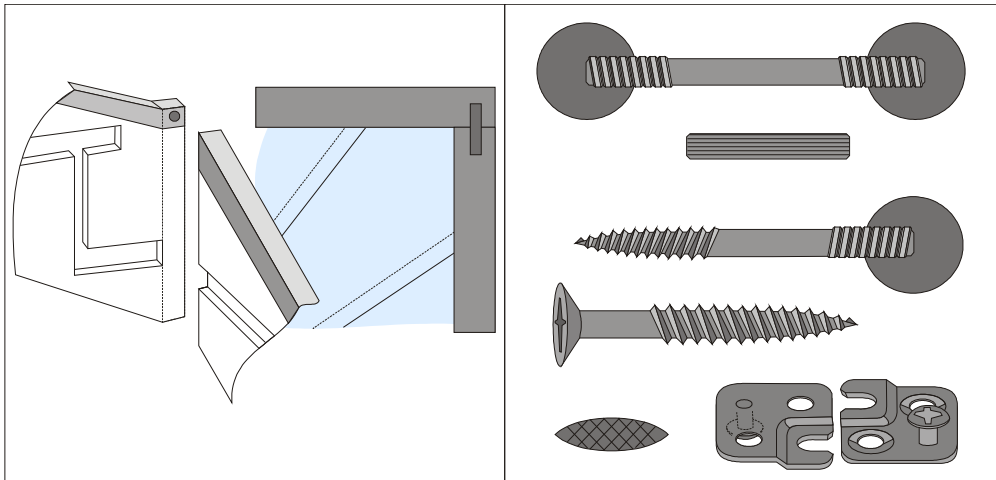


Version CAD-ND-Plus

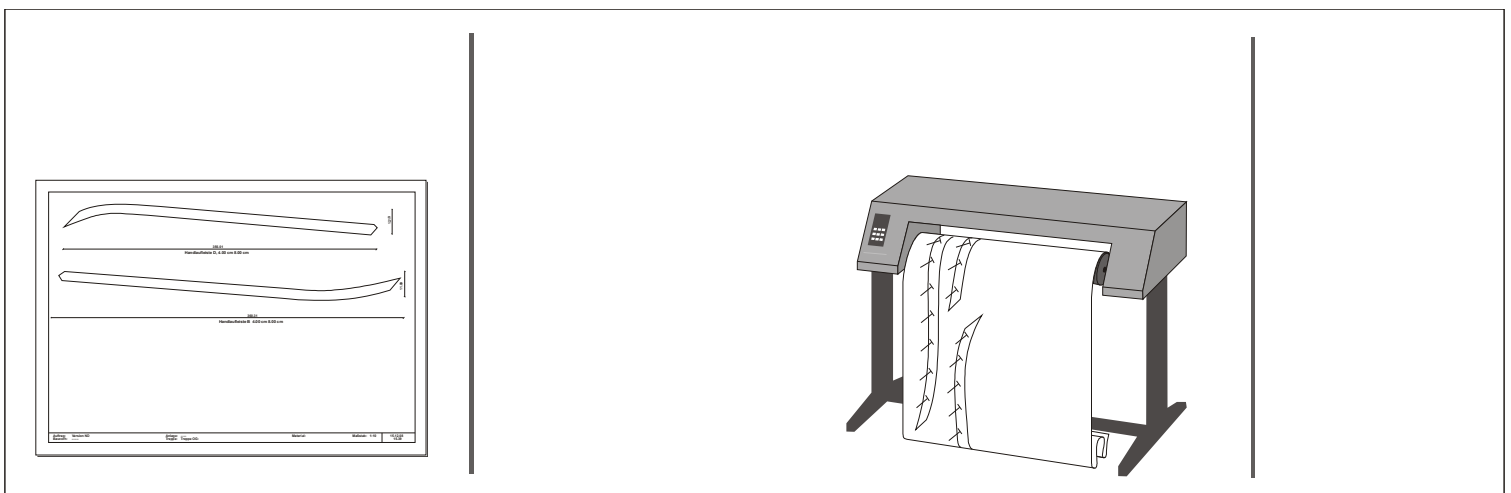
Stringer lists / Connection



Stringer lists / Drillings

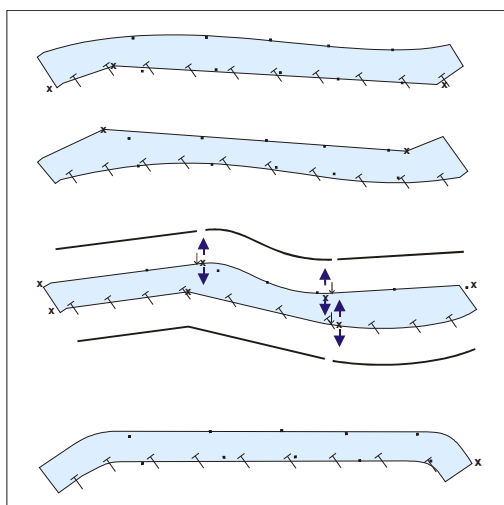
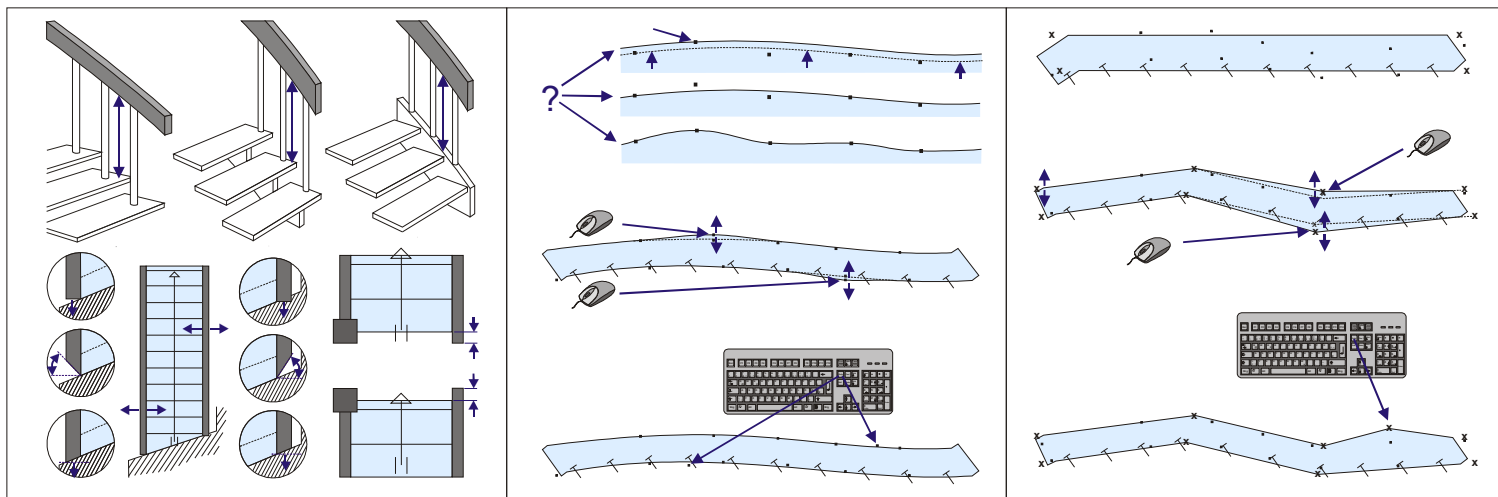


Stringer lists / Output

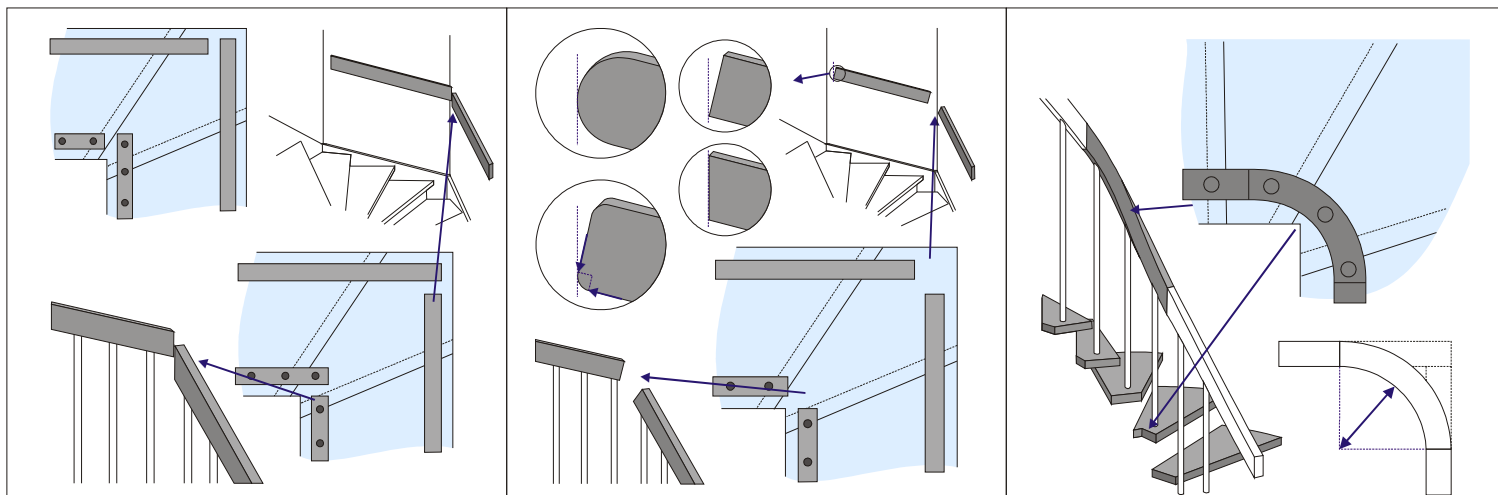


Version CAD-ND-Plus

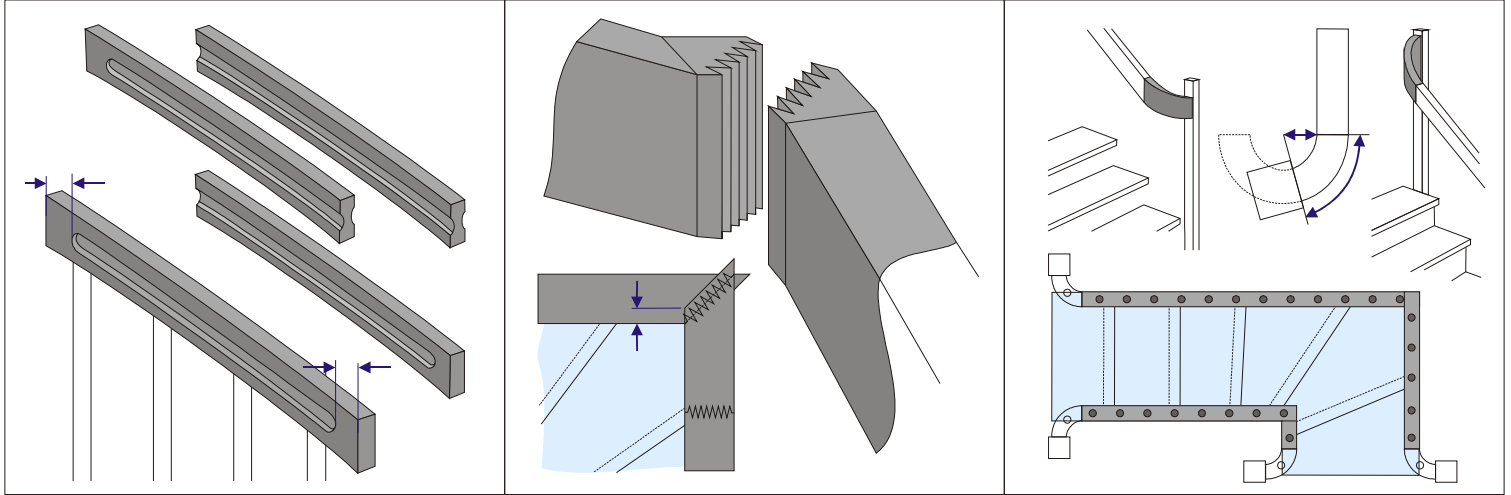
Handrails / Type



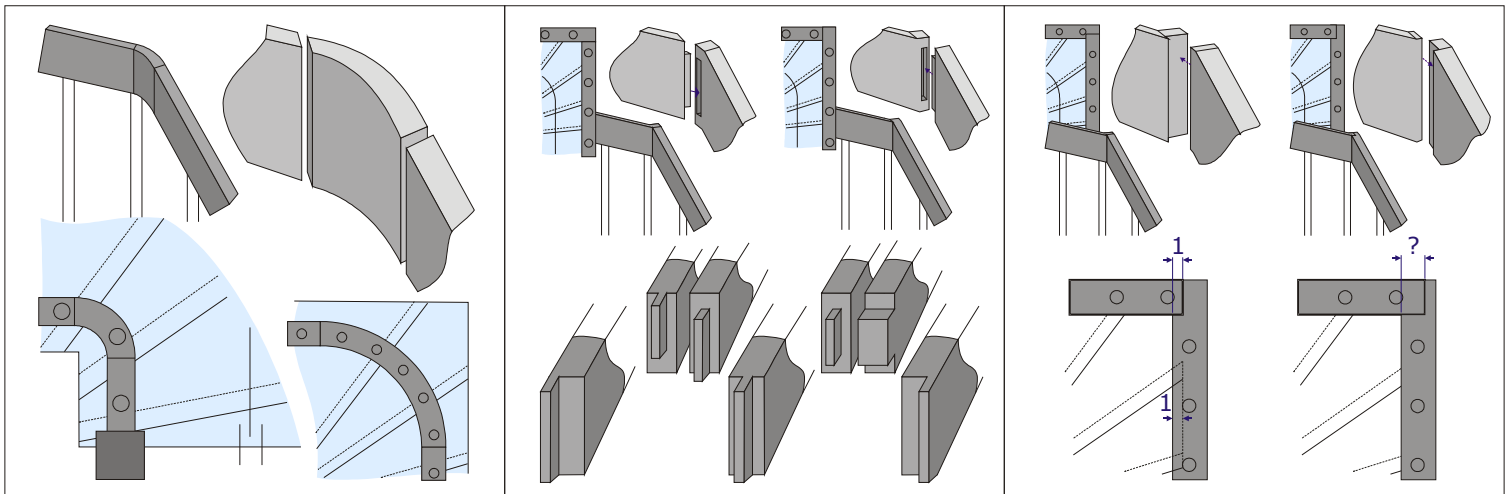
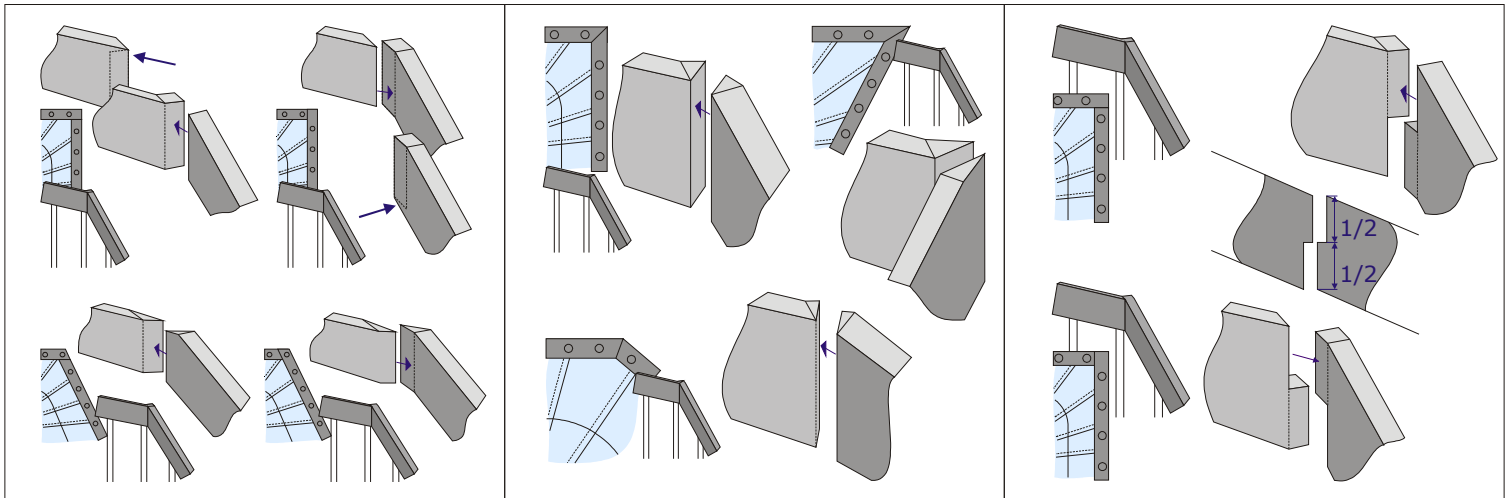
Handrails / Details



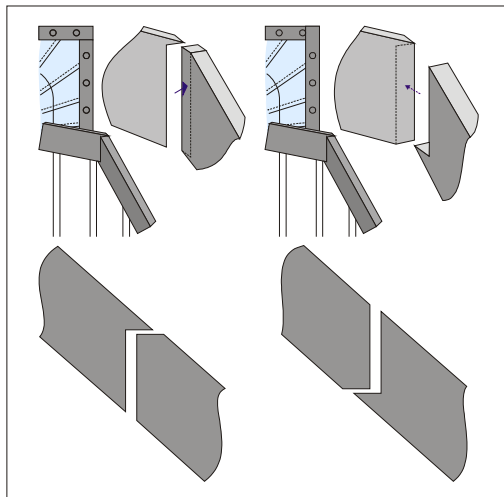
Version CAD-ND-Plus



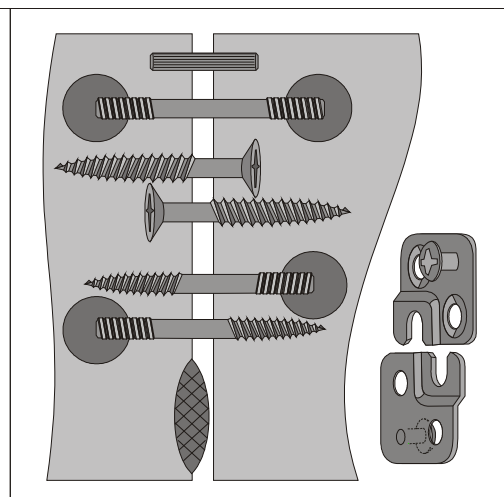
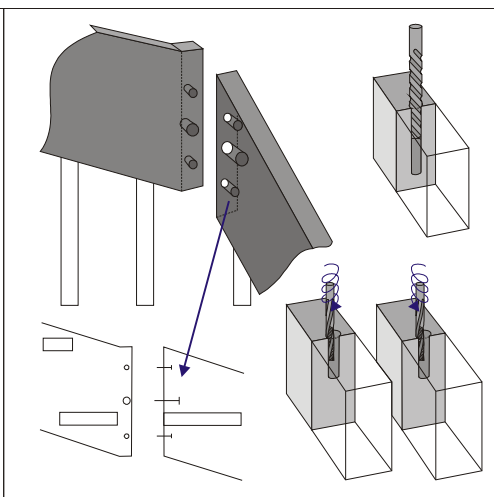
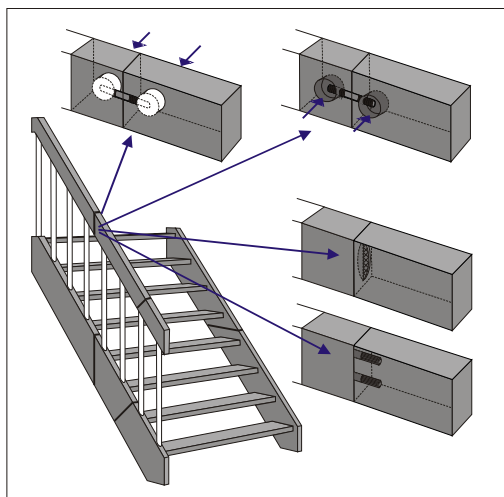
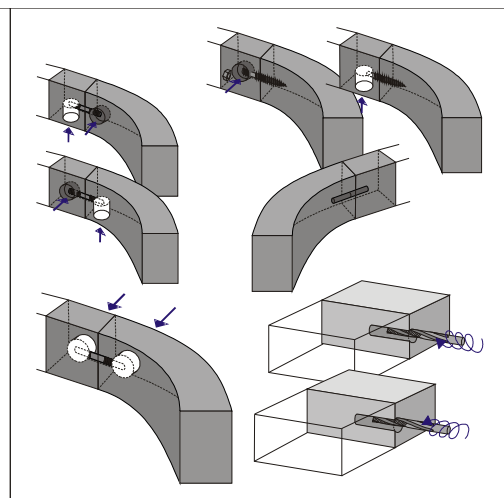
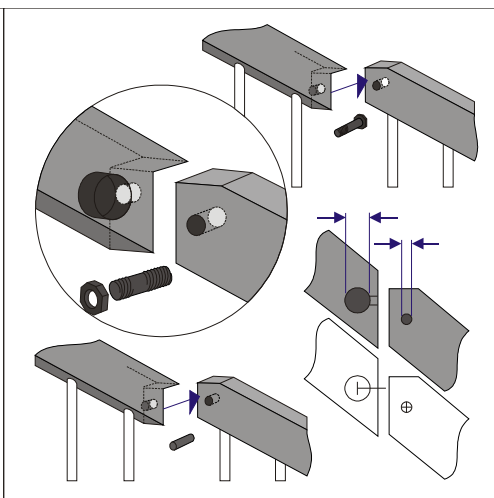
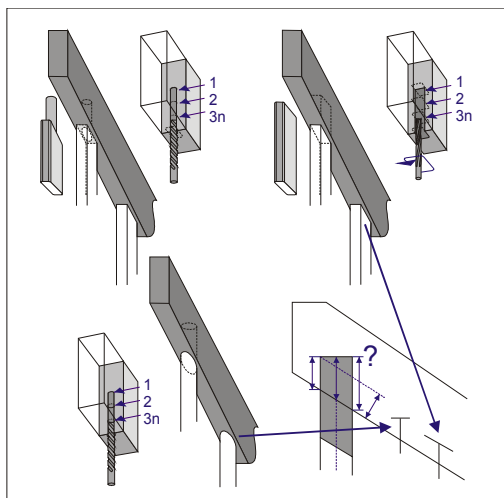
Handrails / Connection



Version CAD-ND-Plus

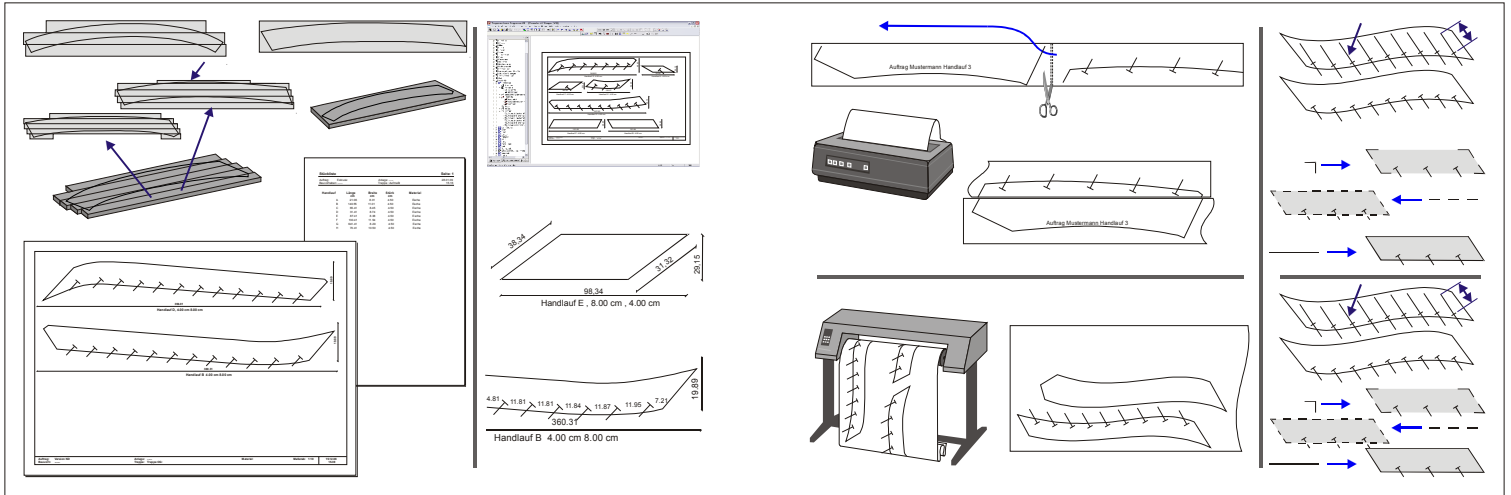


Handrails / Drillings

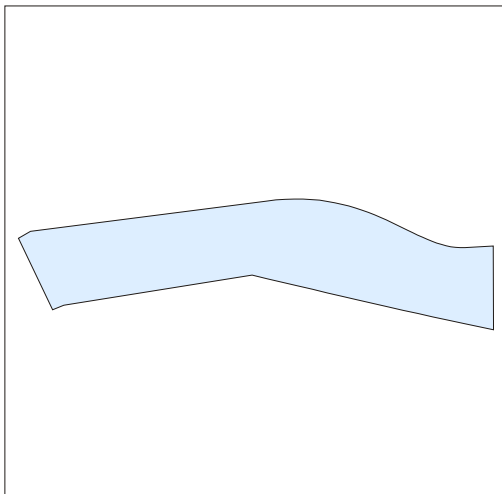
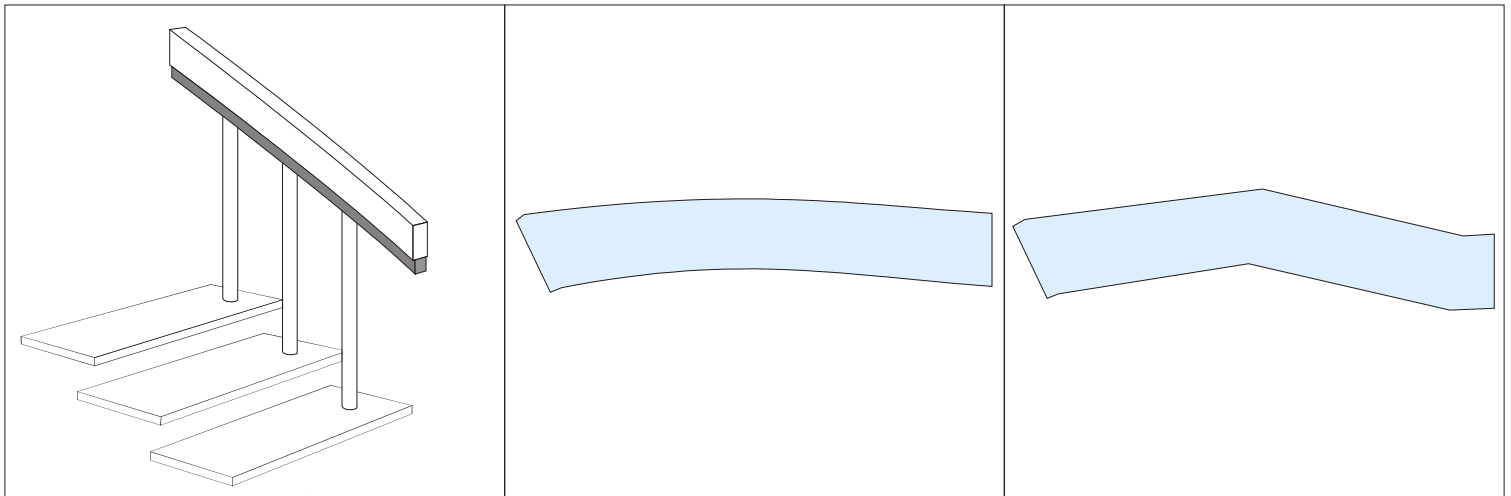


Version CAD-ND-Plus

Handrails / Output

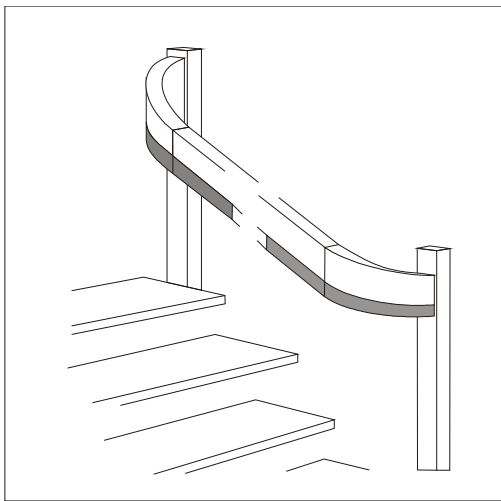
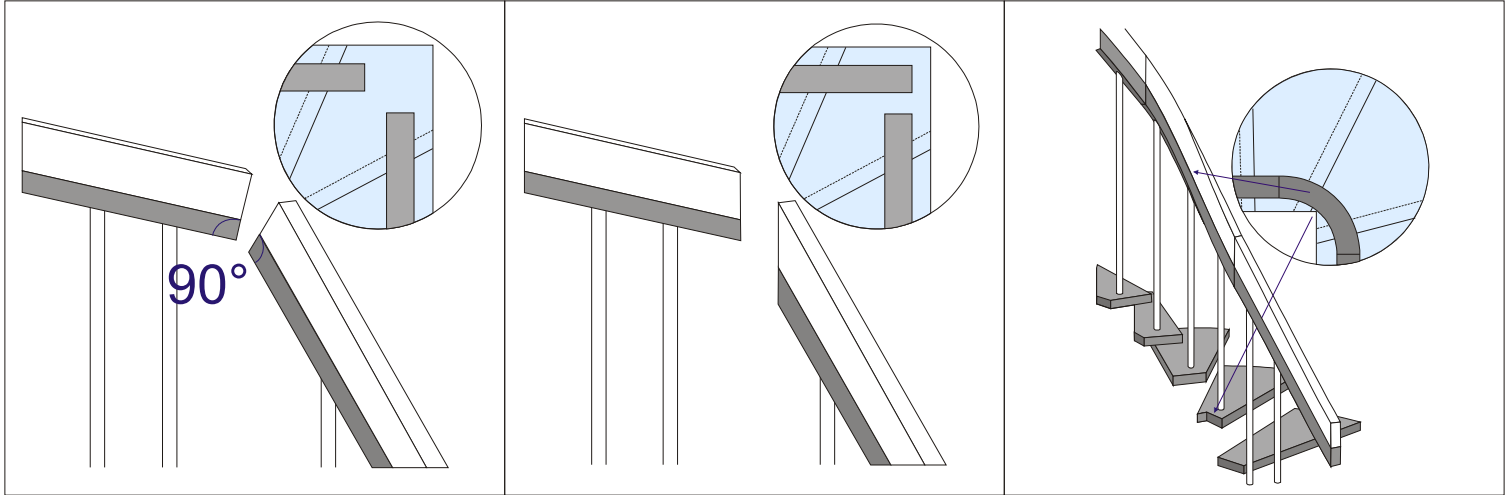


Handrail lists / Type

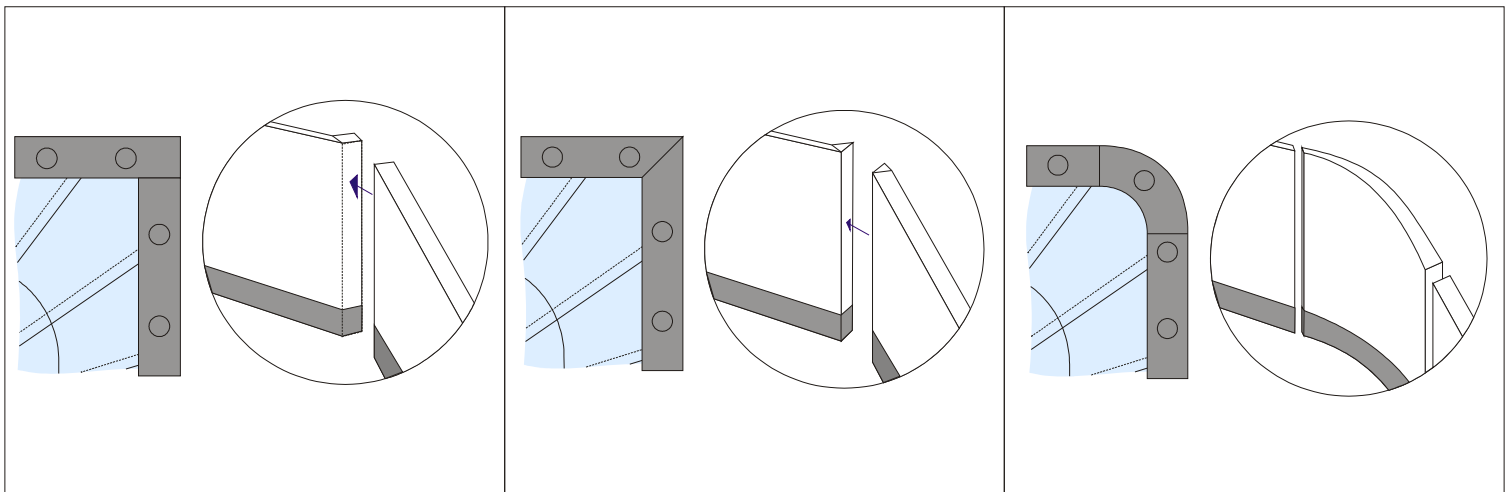


Version CAD-ND-Plus

Handrail lists / Details

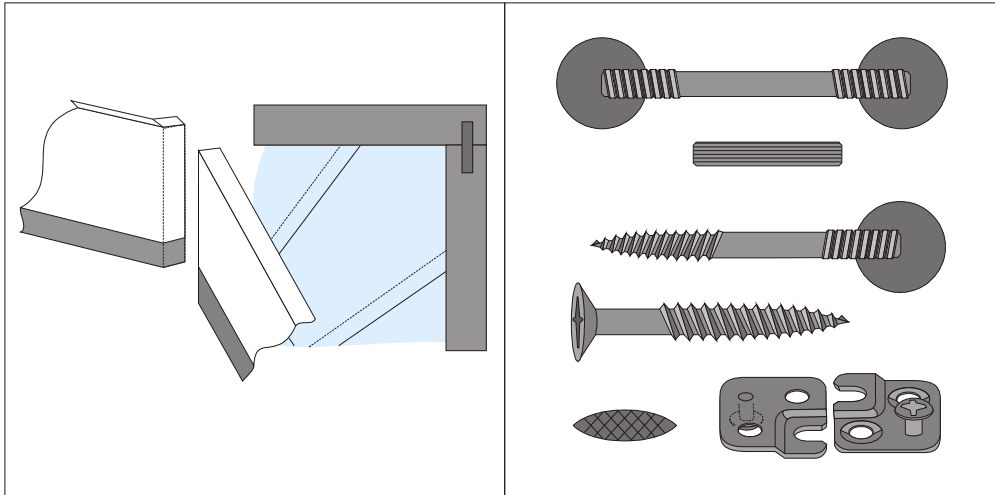


Handrail lists / Connection

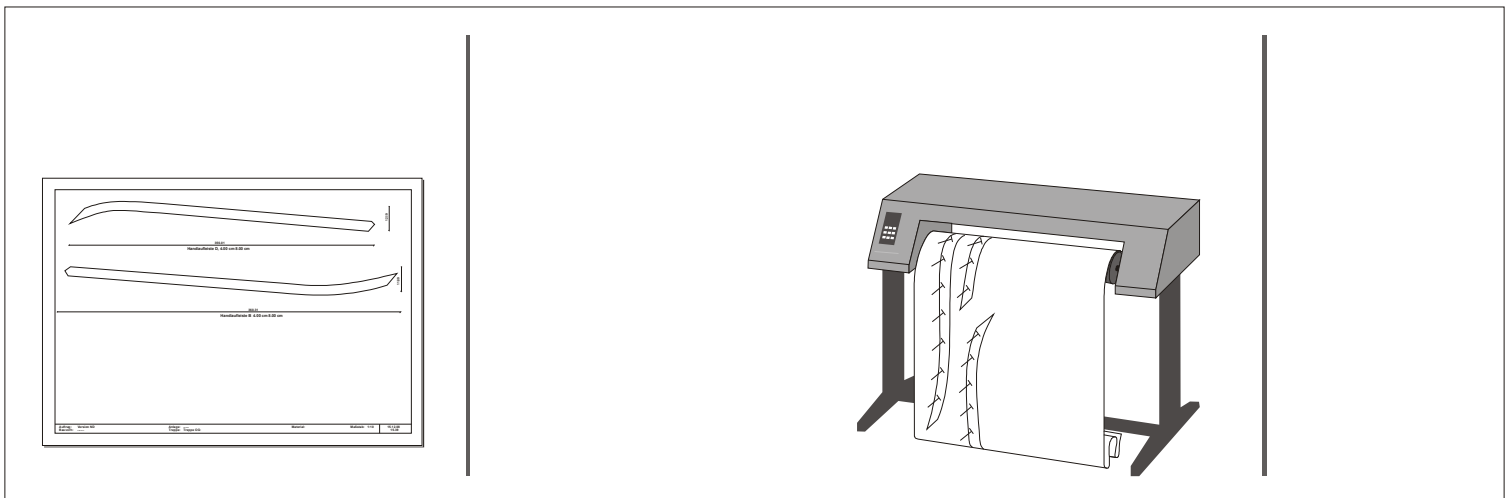


Version CAD-ND-Plus

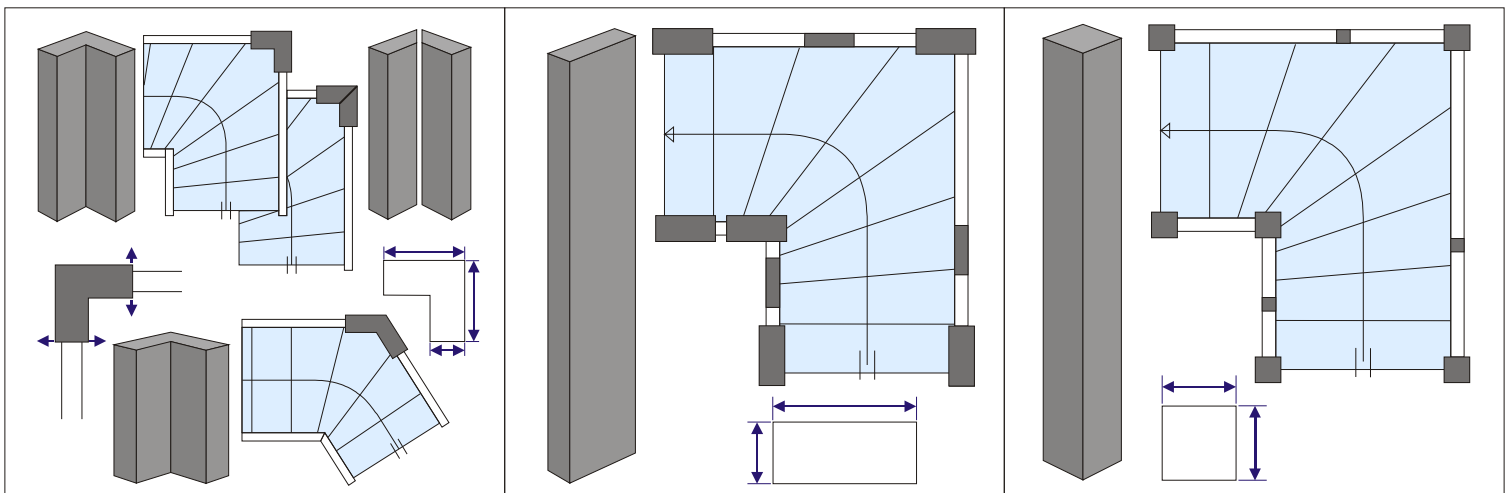
Handrail lists / Drillings



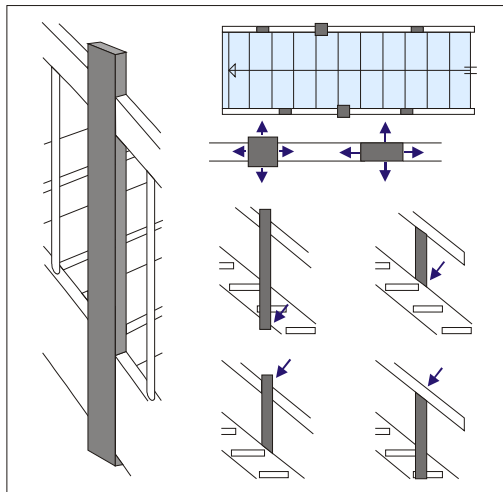
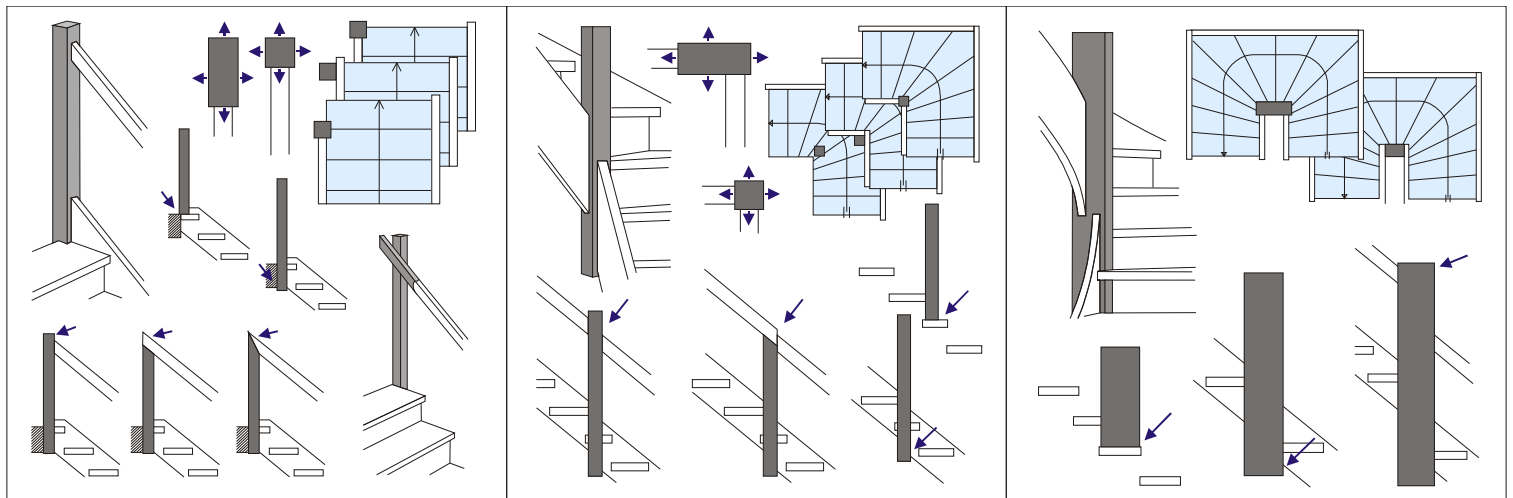
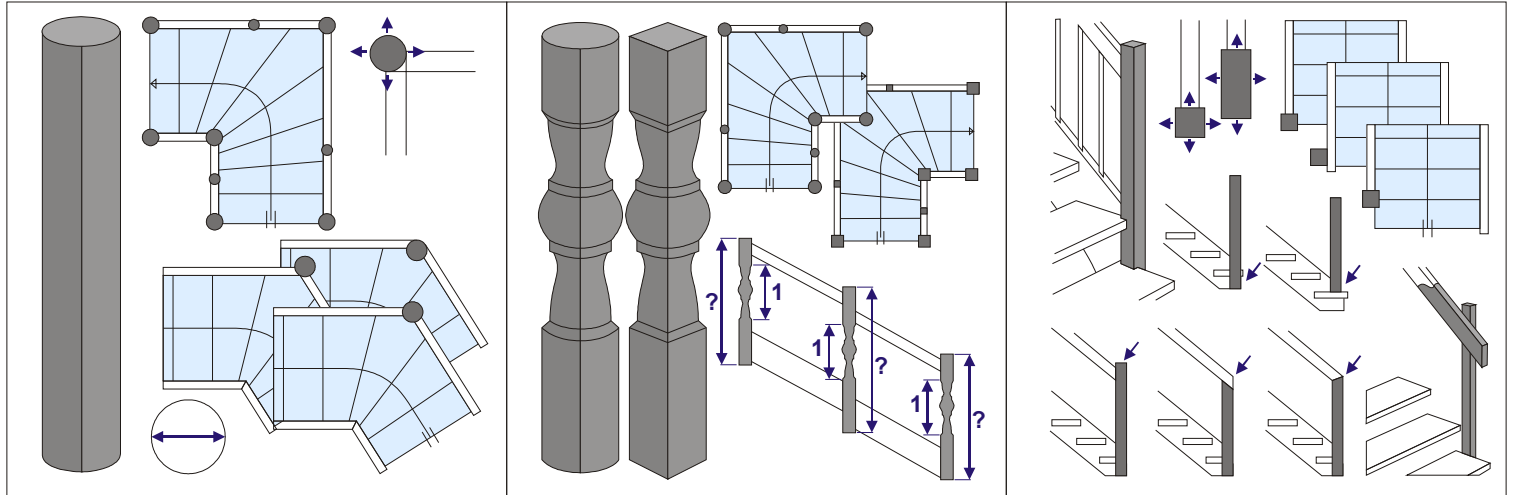
Handrail lists / Output



Posts / Type

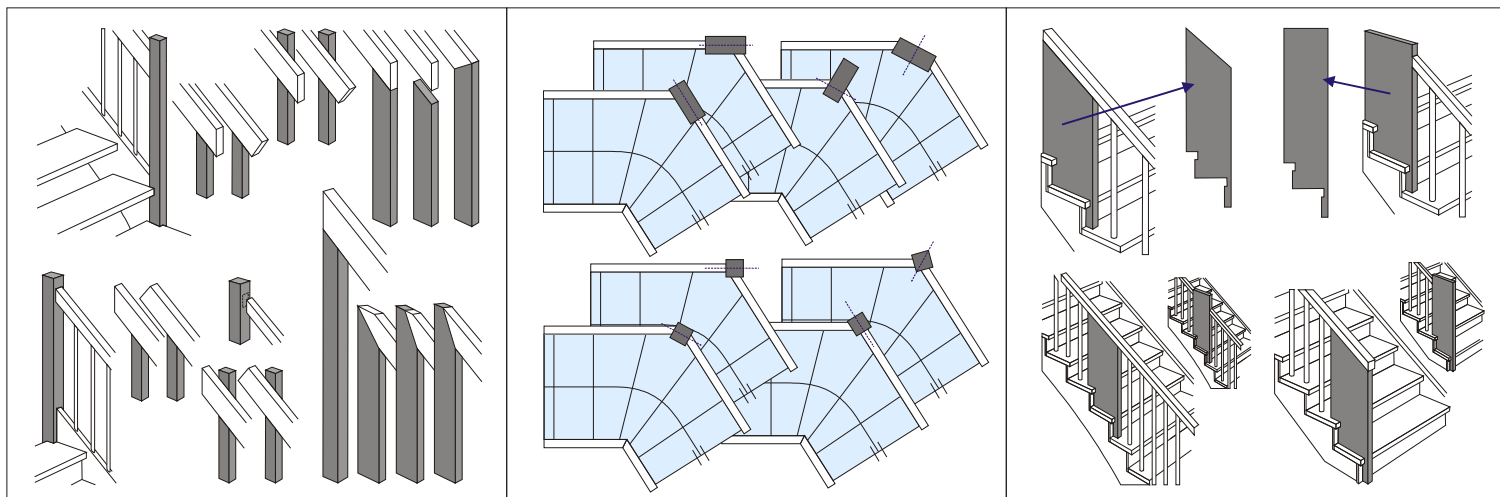


Version CAD-ND-Plus

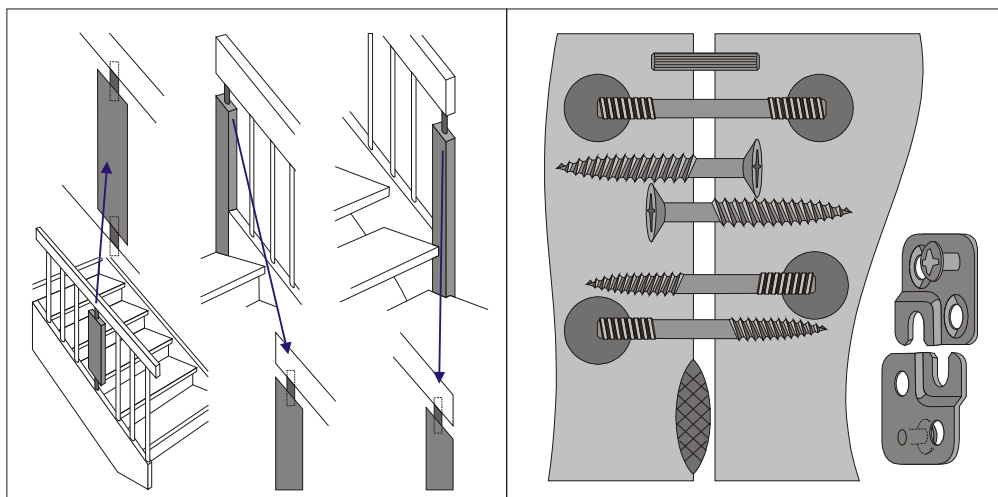
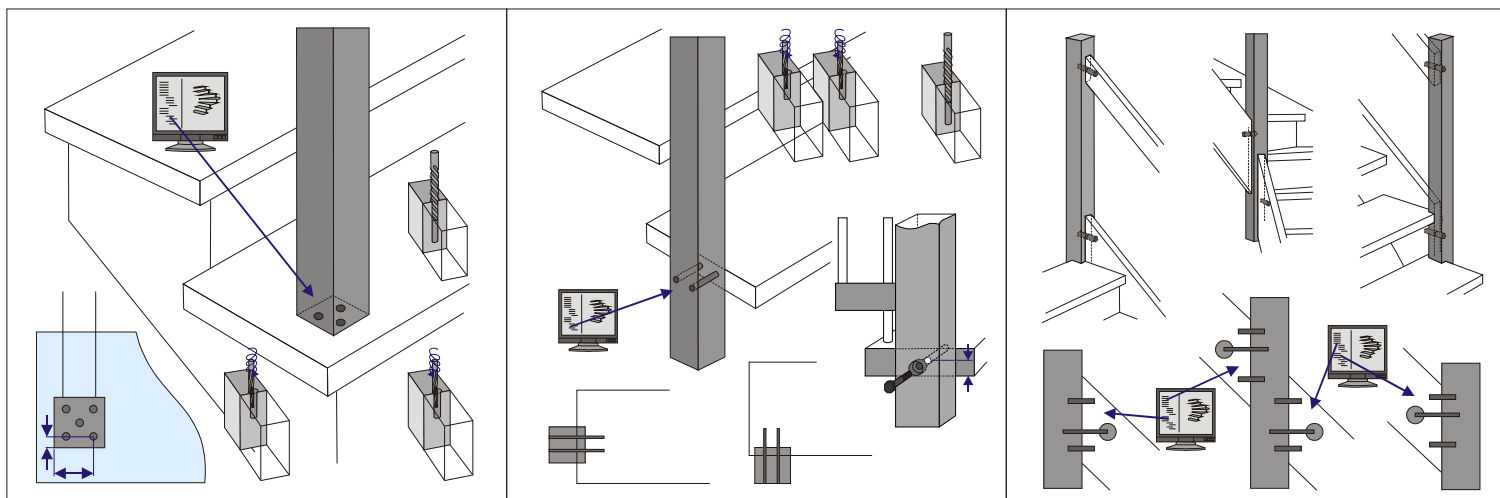


Version CAD-ND-Plus

Posts / Details

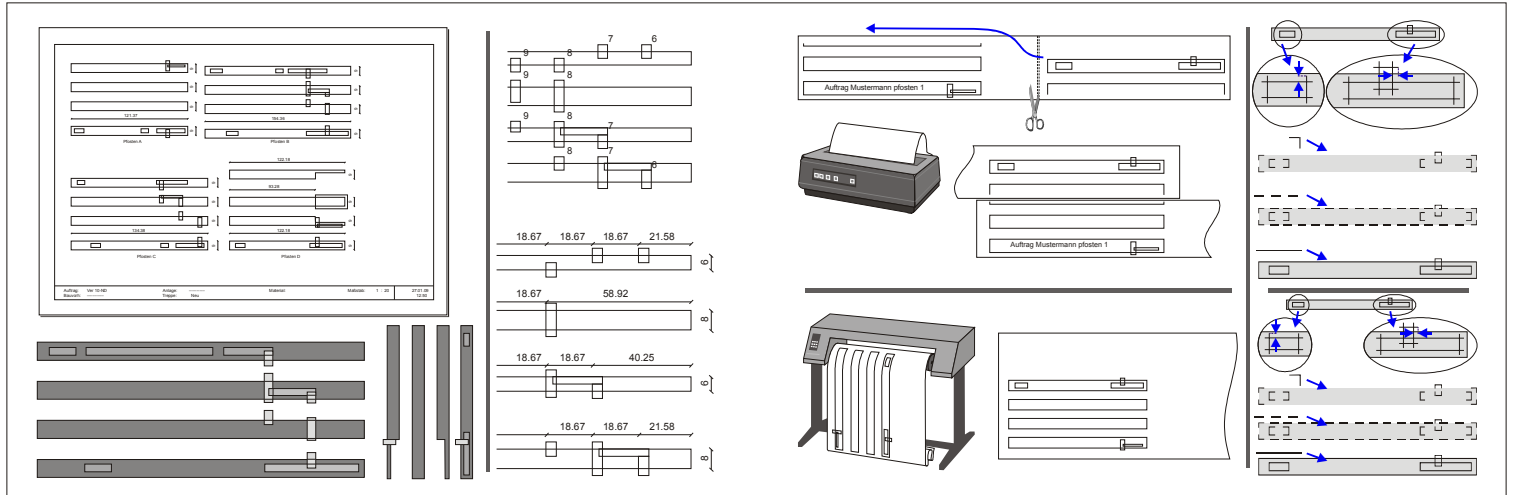


Posts / Drillings

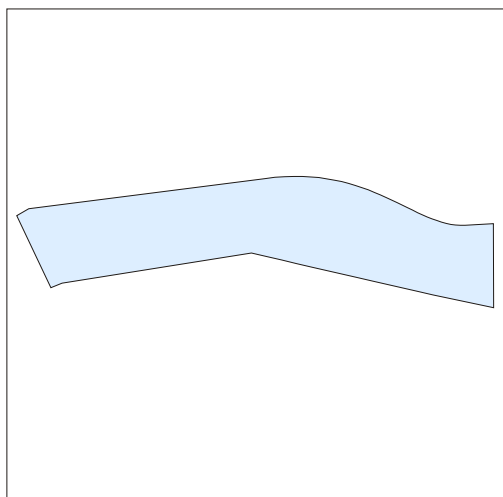
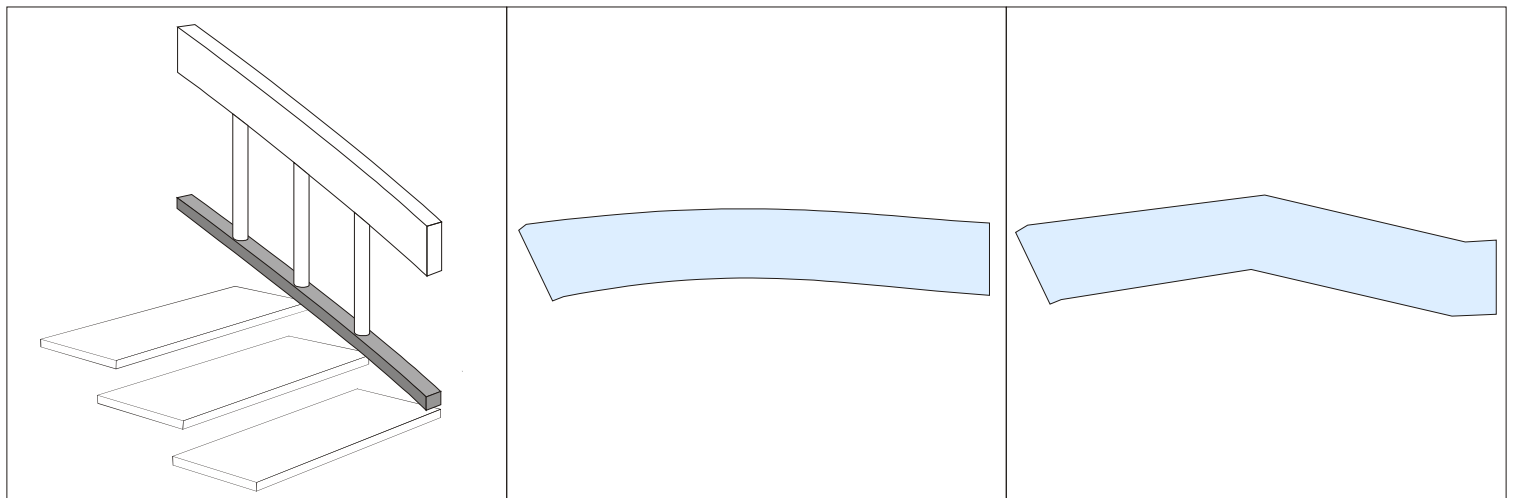


Version CAD-ND-Plus

Posts / Output

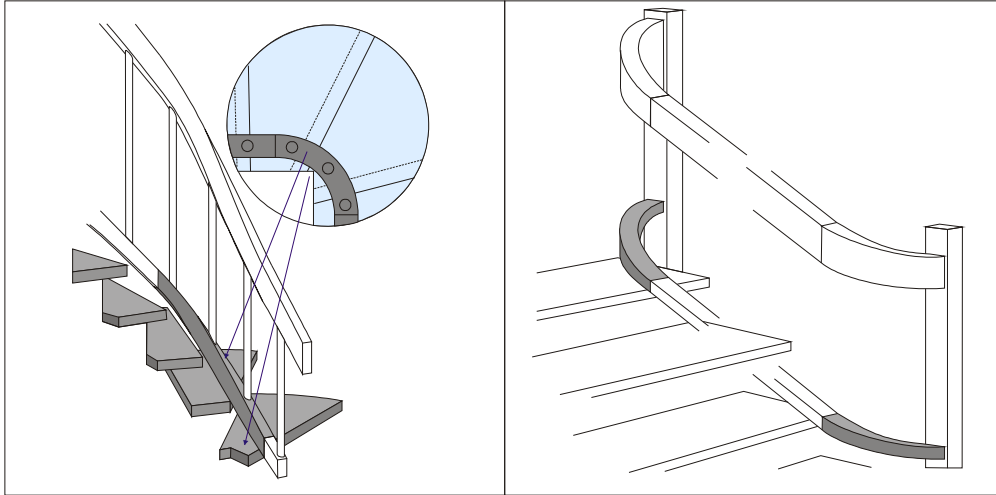


Bottom rails / Type

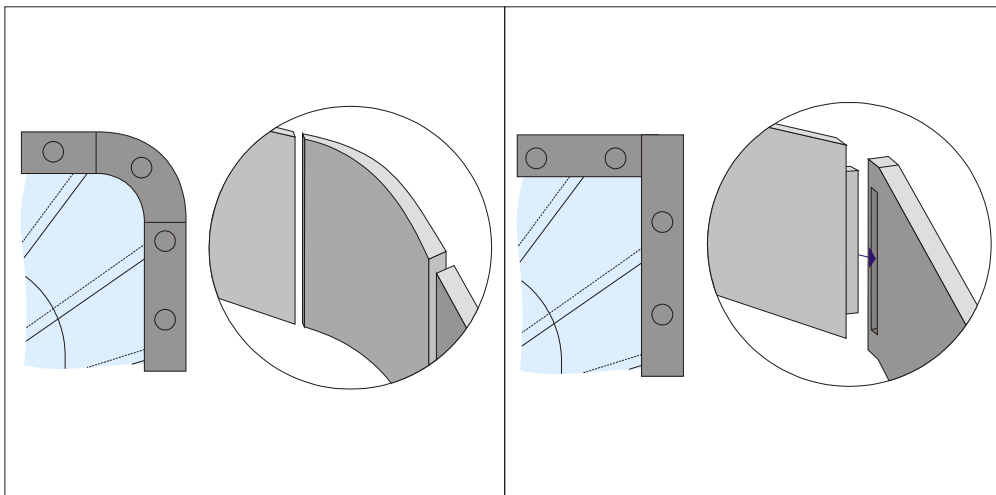
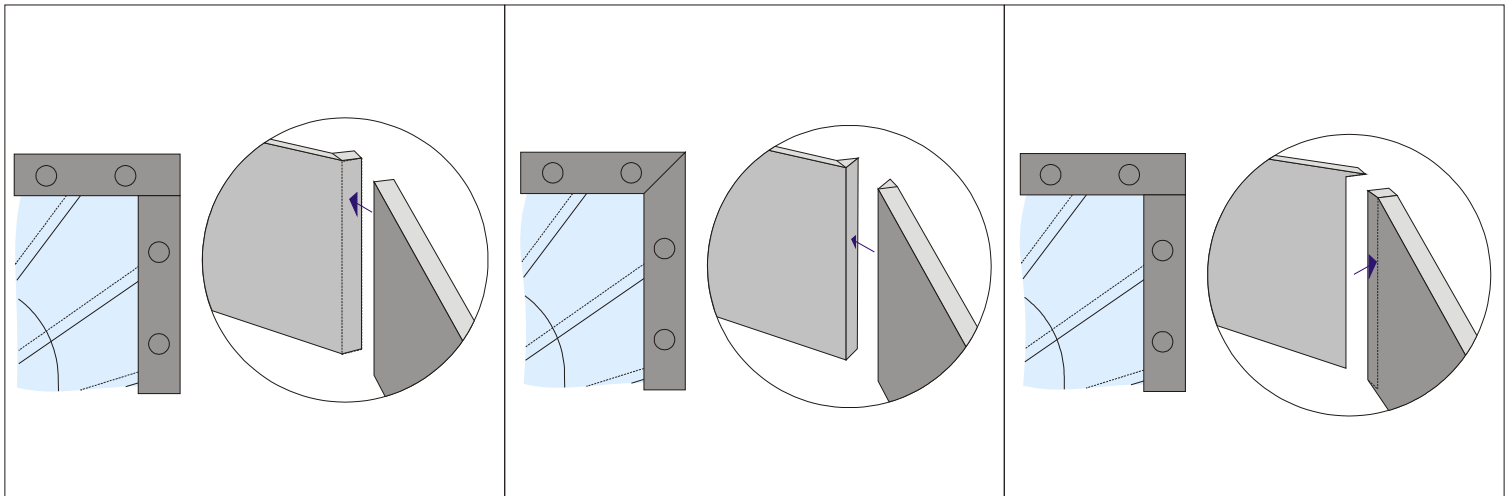


Version CAD-ND-Plus

Bottom rails / Details

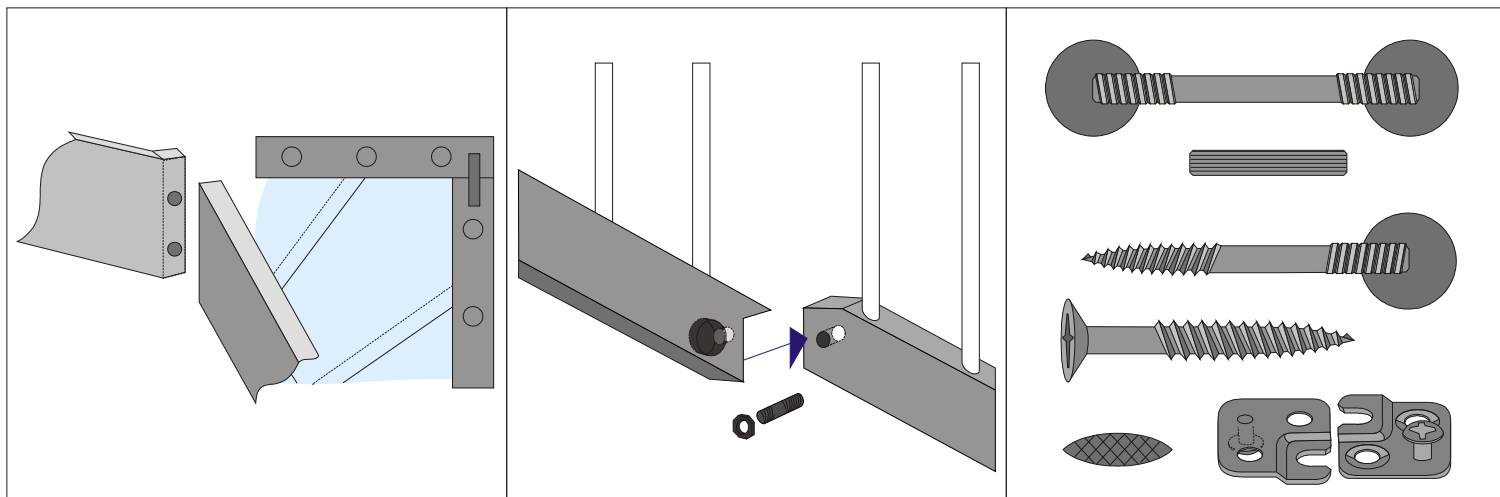


Bottom rails / Connection

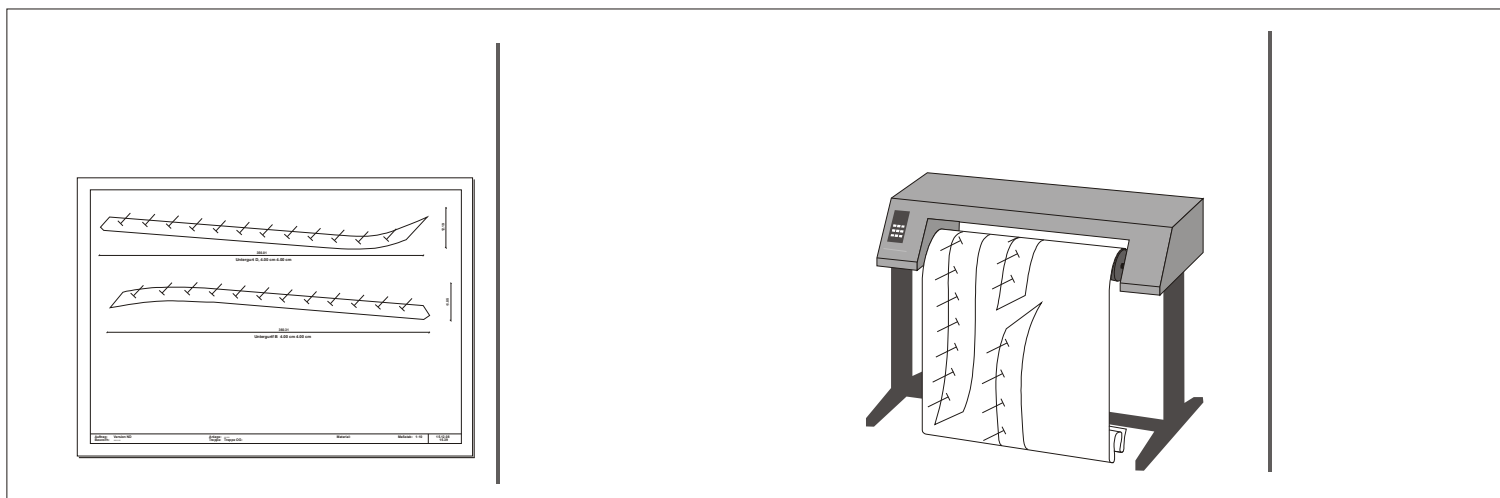


Version CAD-ND-Plus

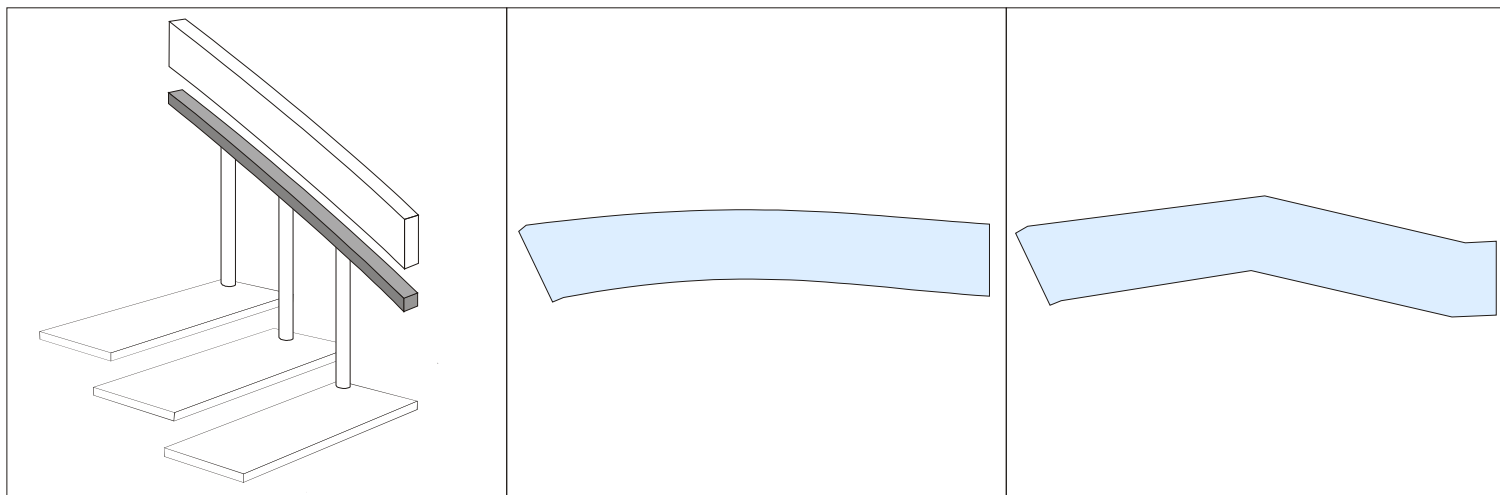
Bottom rails / Drillings



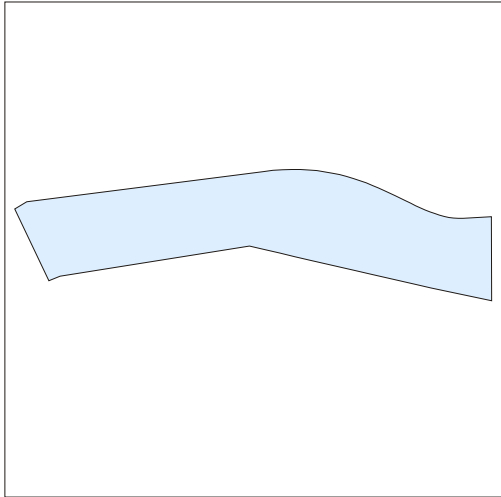
Bottom rails / Output



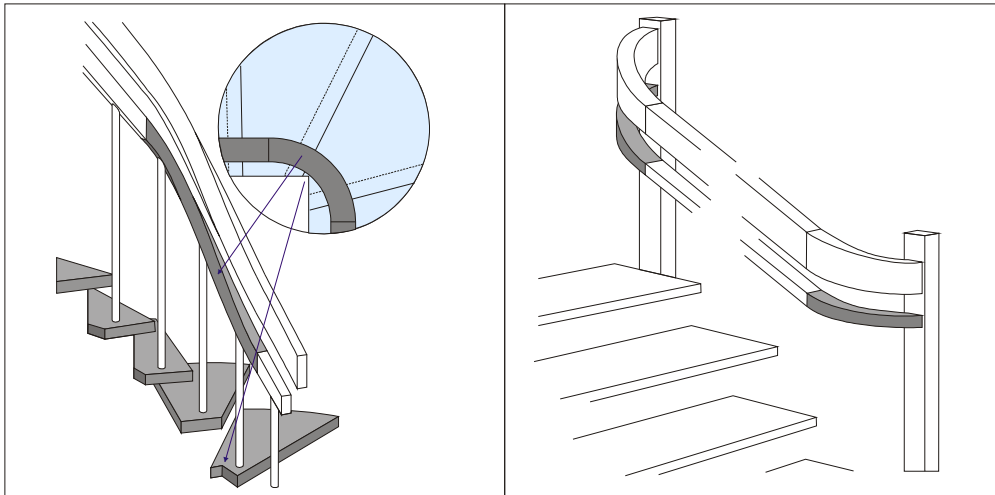
Top rails / Type



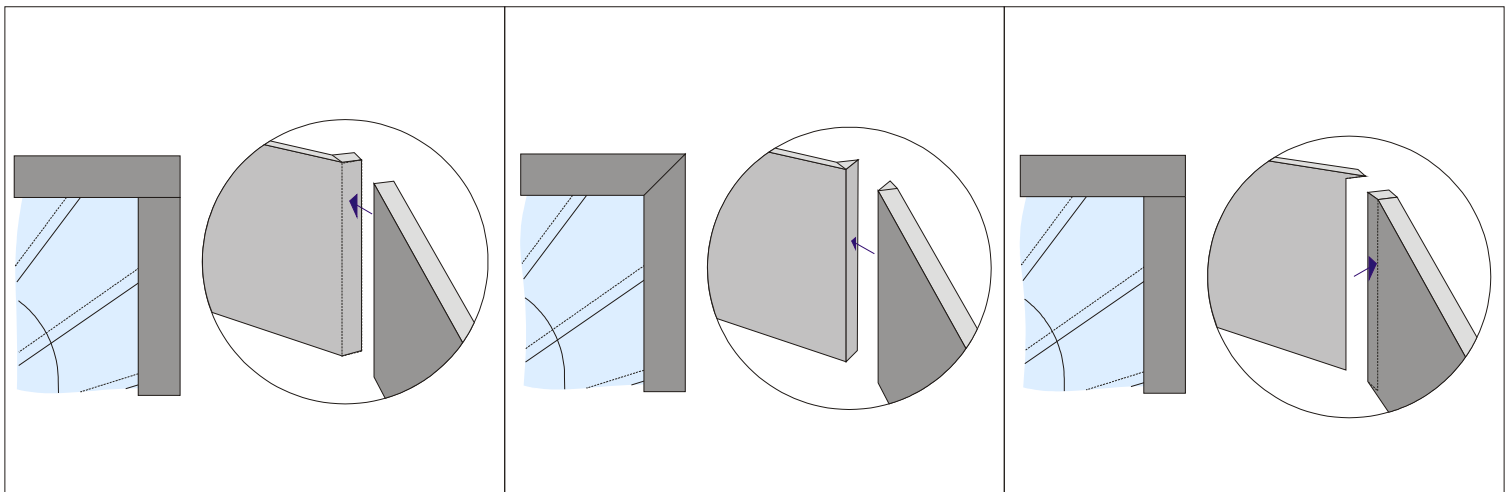
Version CAD-ND-Plus



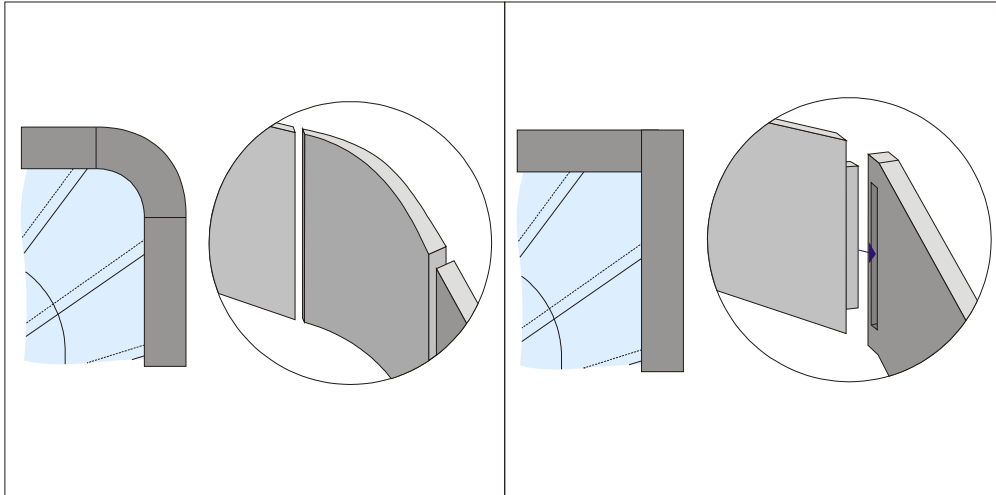
Top rails / Details



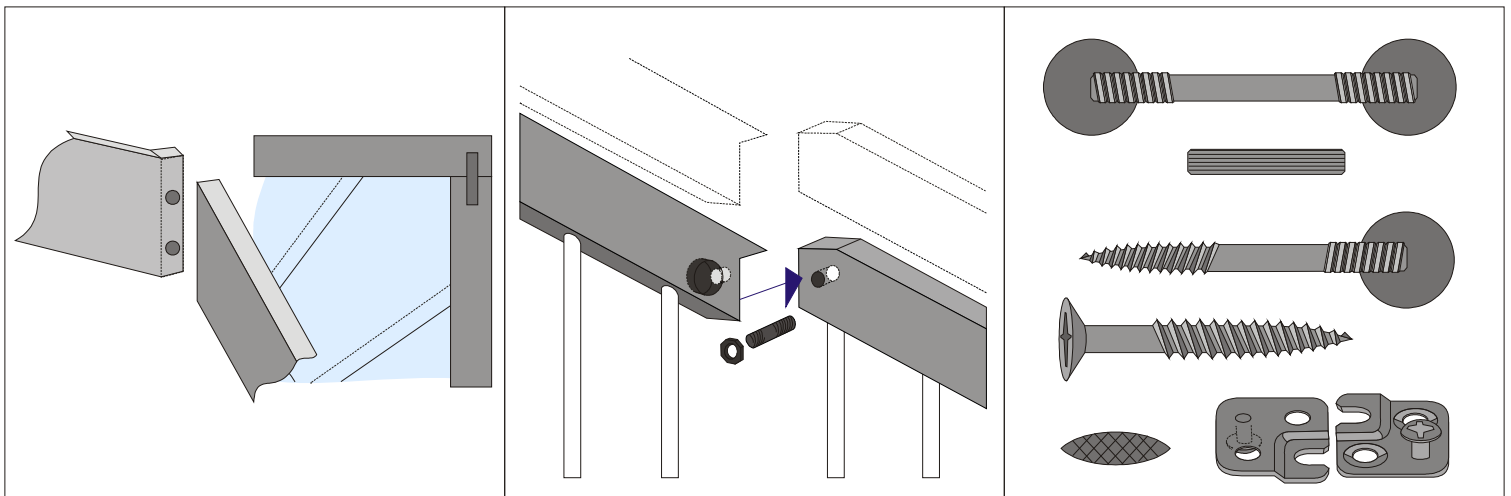
Top rails / Connection



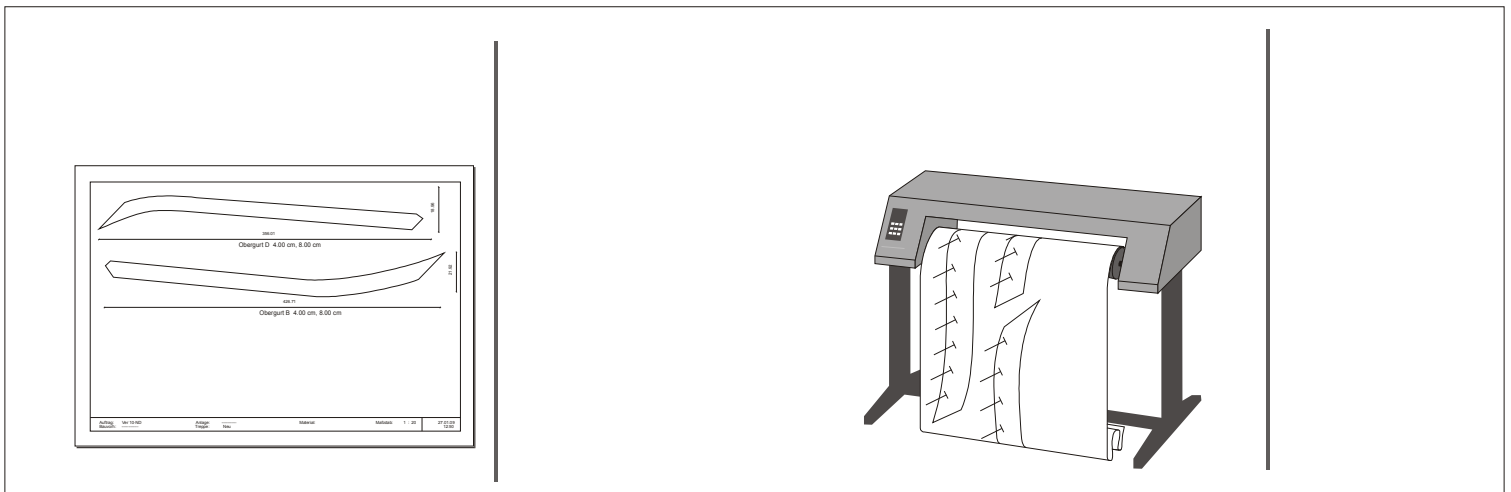
Version CAD-ND-Plus



Top rails / Drillings

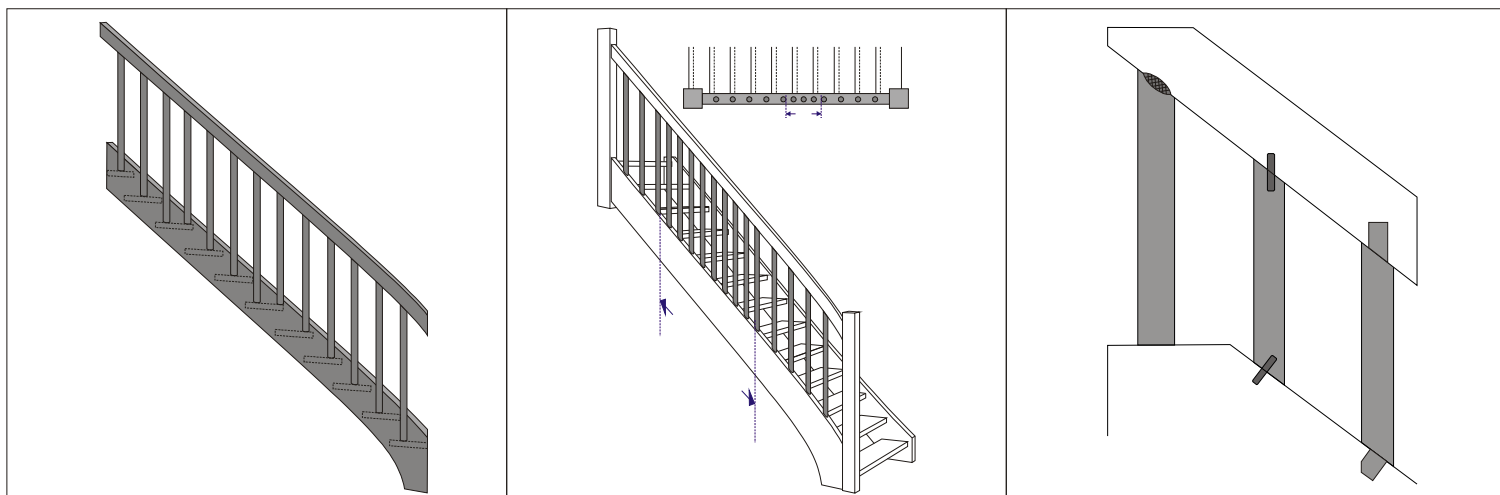
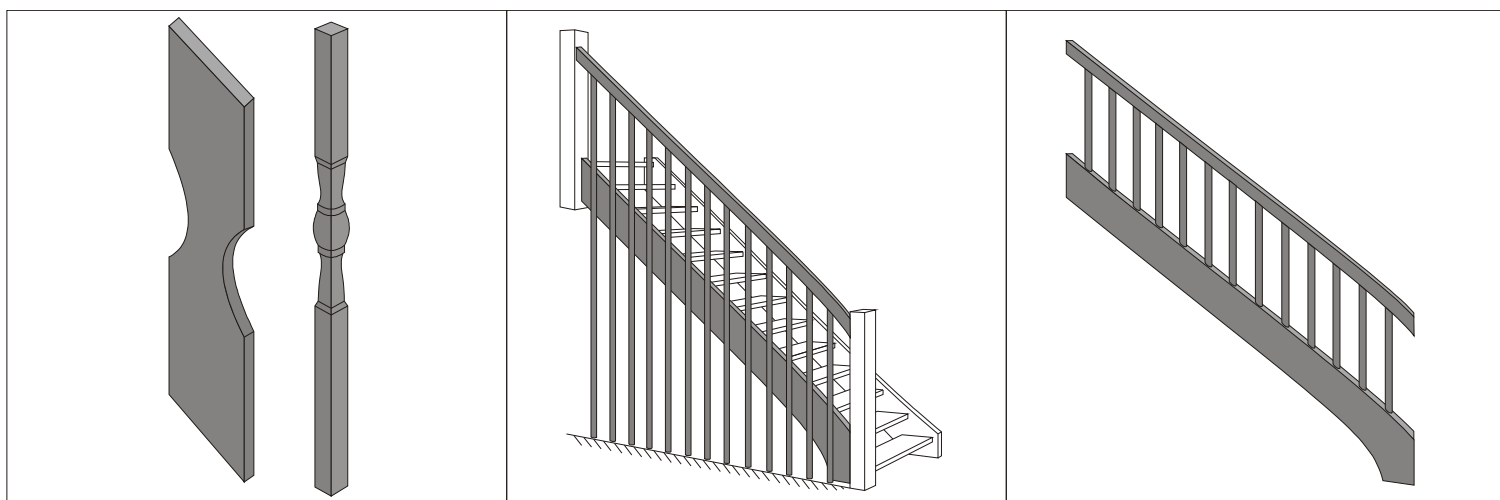
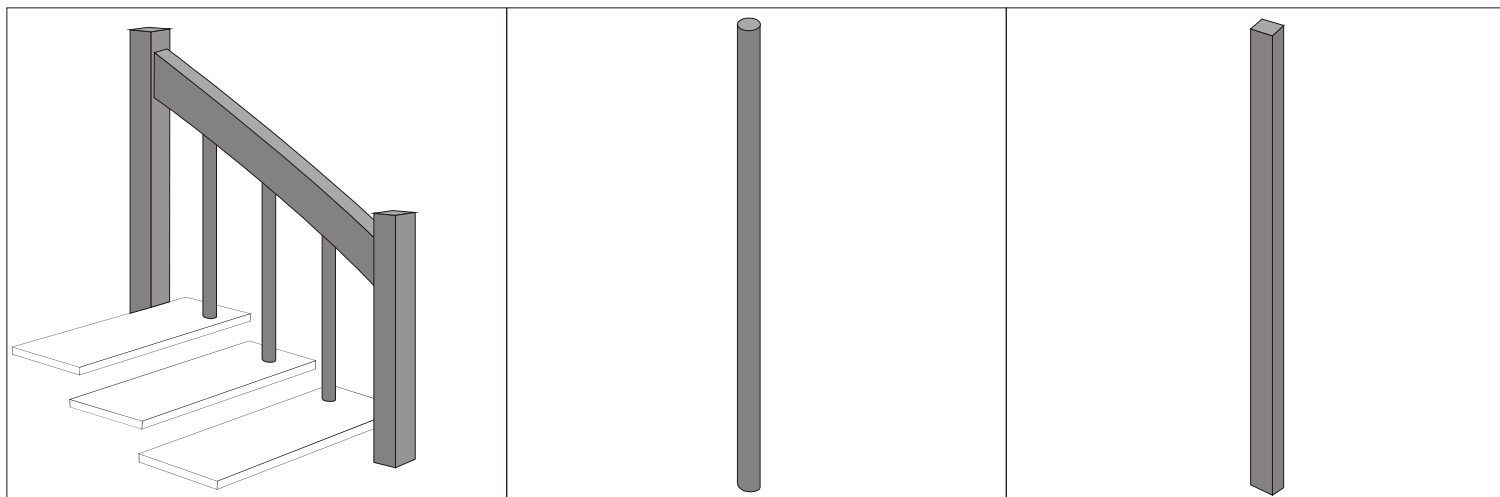


Top rails / Output



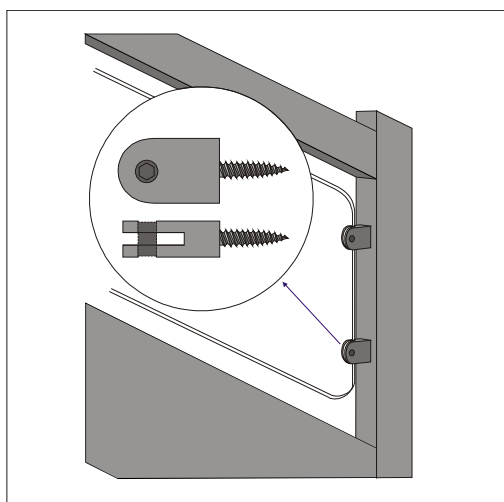
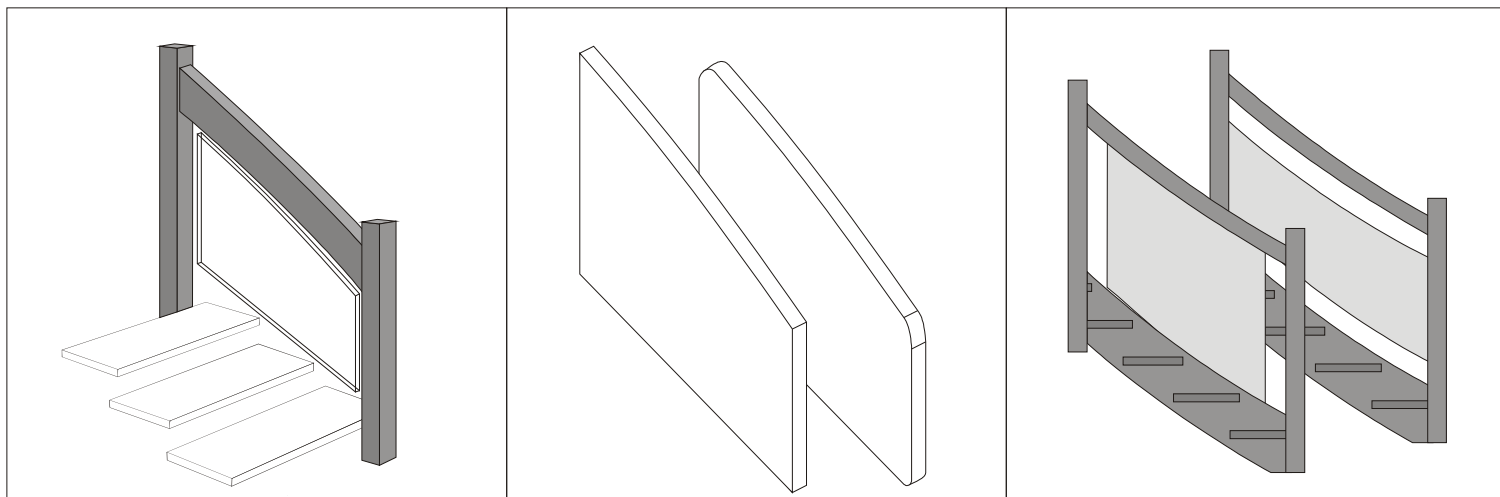
Version CAD-ND-Plus

Infills / Balusters

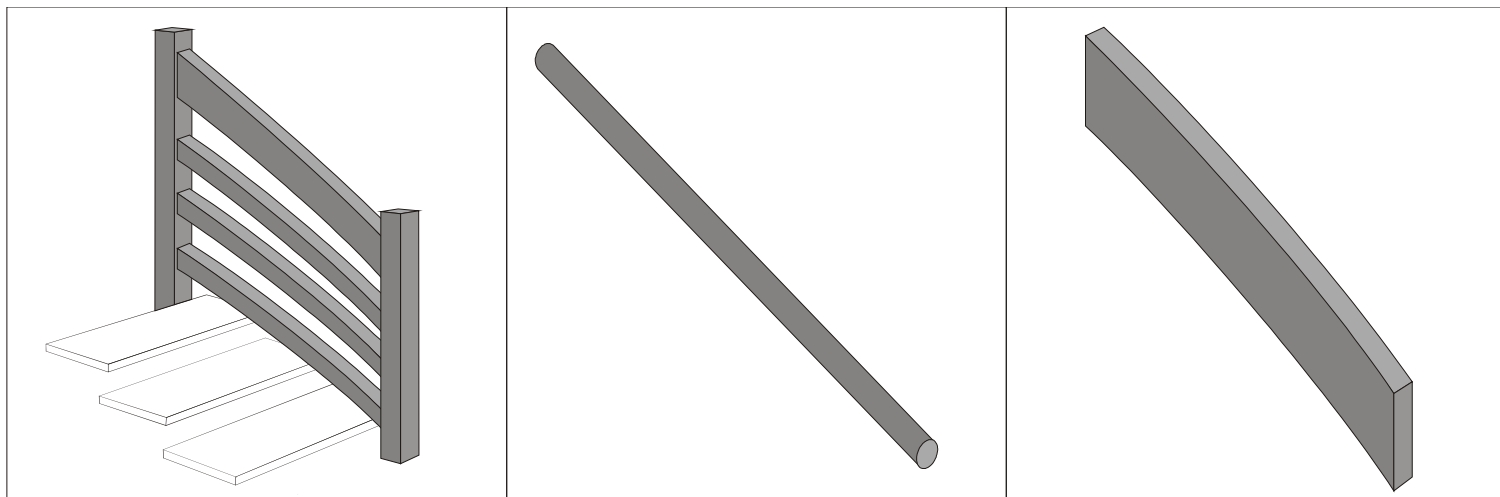


Version CAD-ND-Plus

Infills / Glass

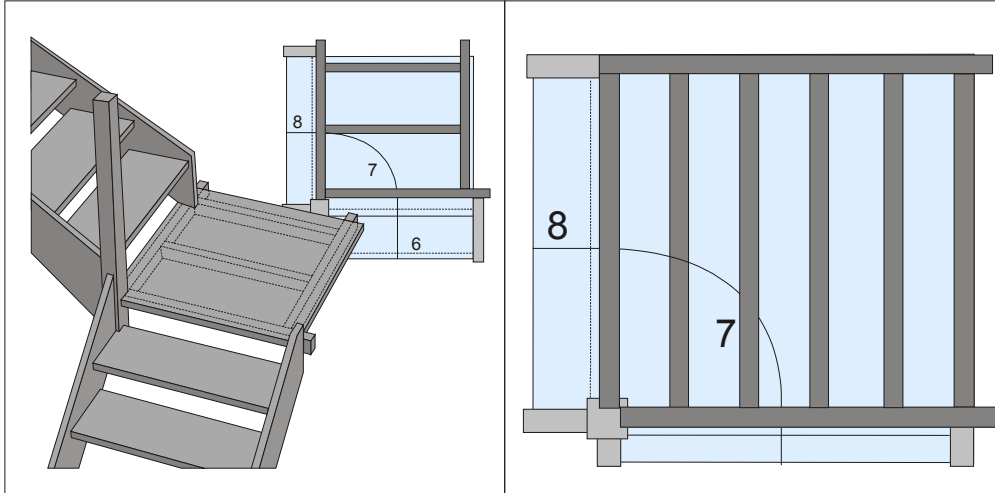


Infills / Ranch railings

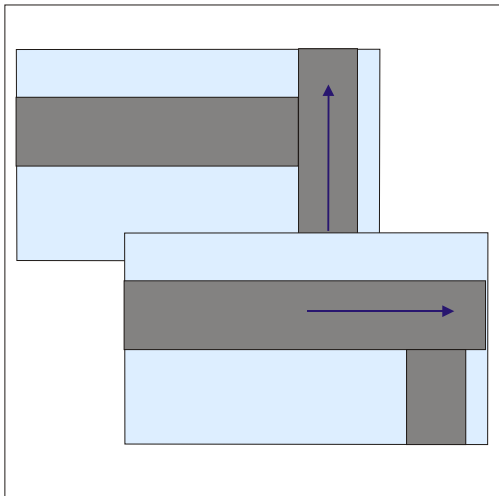


Version CAD-ND-Plus

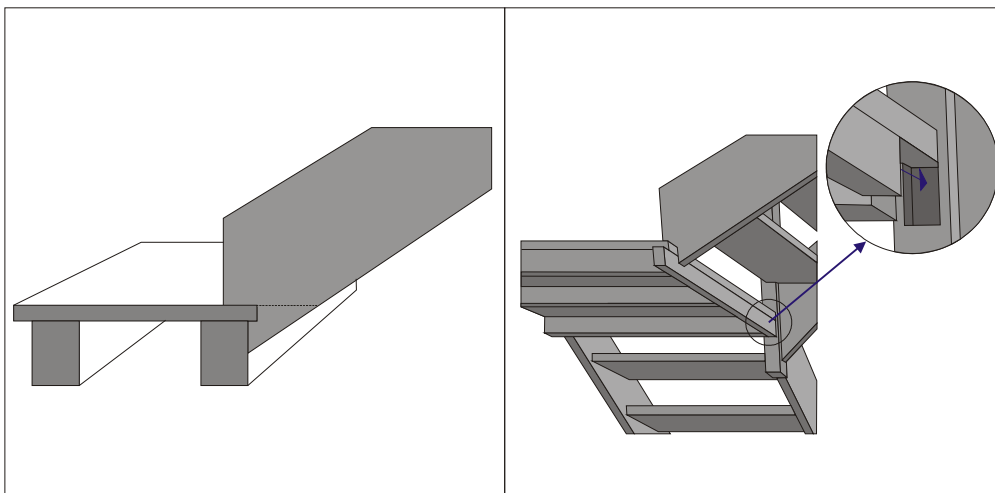
Landing bar / Type



Landing bar / Connection



Landing bar / Details

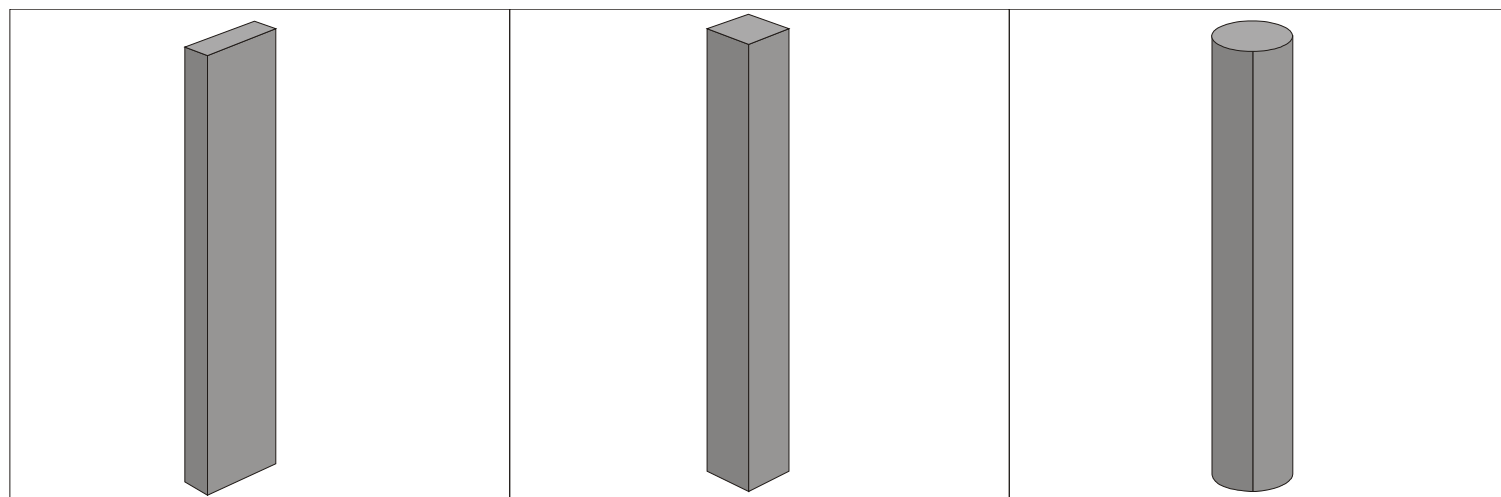
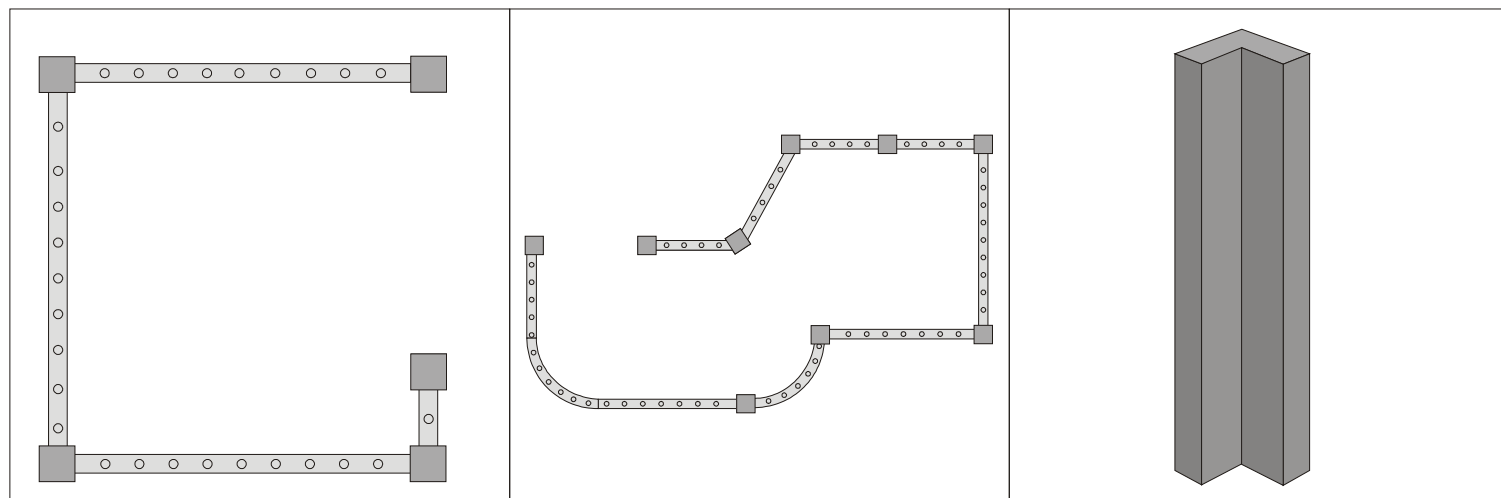


Version CAD-ND-Plus

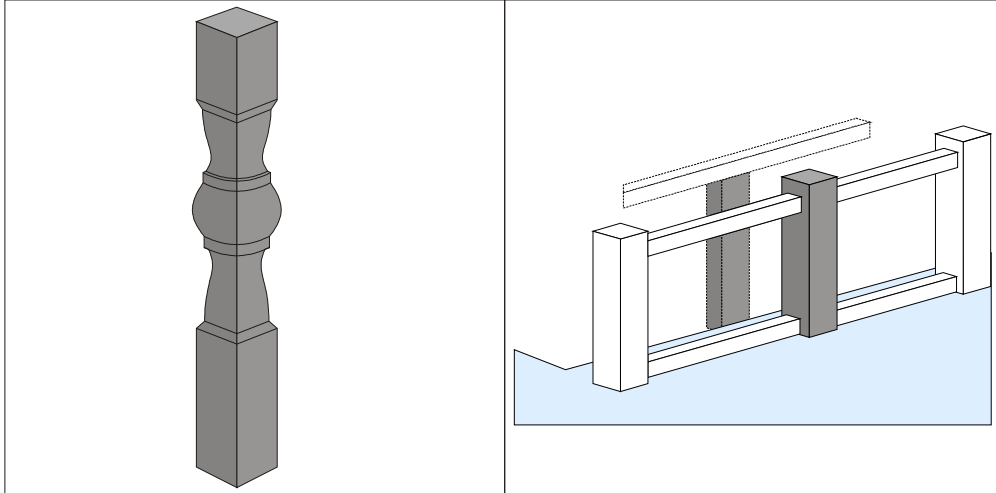
Landing bar / Output

Stückliste						Seite: 1
Auftrag	Exklusiv	Anlage	Treppe		28.01.99	
Bauvorhaben		Aufmaß			15.11	
Podestbalken	Länge	Breite	Stärke	Fläche	Volumen	
	cm	cm	cm	m ²	m ³	
1	98,00	5,00	8,00	0,05	0,004	
2	97,00	5,00	8,00	0,05	0,004	
3	97,00	5,00	8,00	0,05	0,004	
4	77,00	5,00	8,00	0,04	0,003	
5	77,00	5,00	8,00	0,04	0,003	

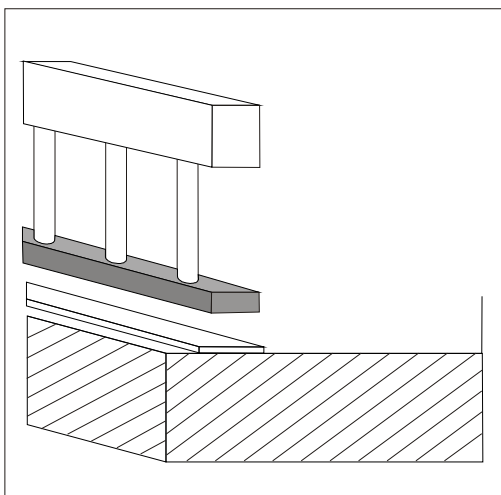
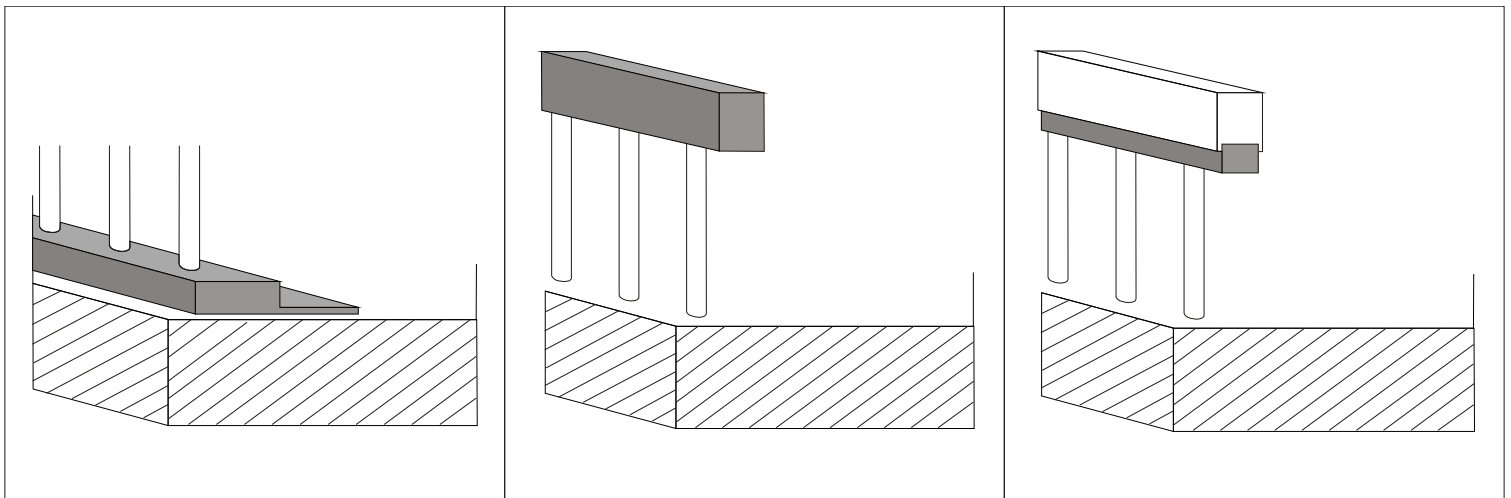
Balcony / Posts



Version CAD-ND-Plus

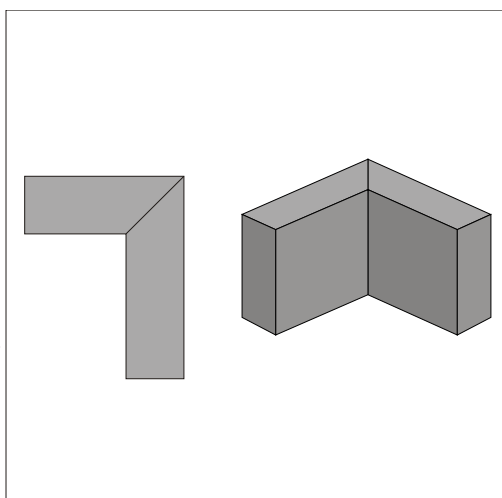
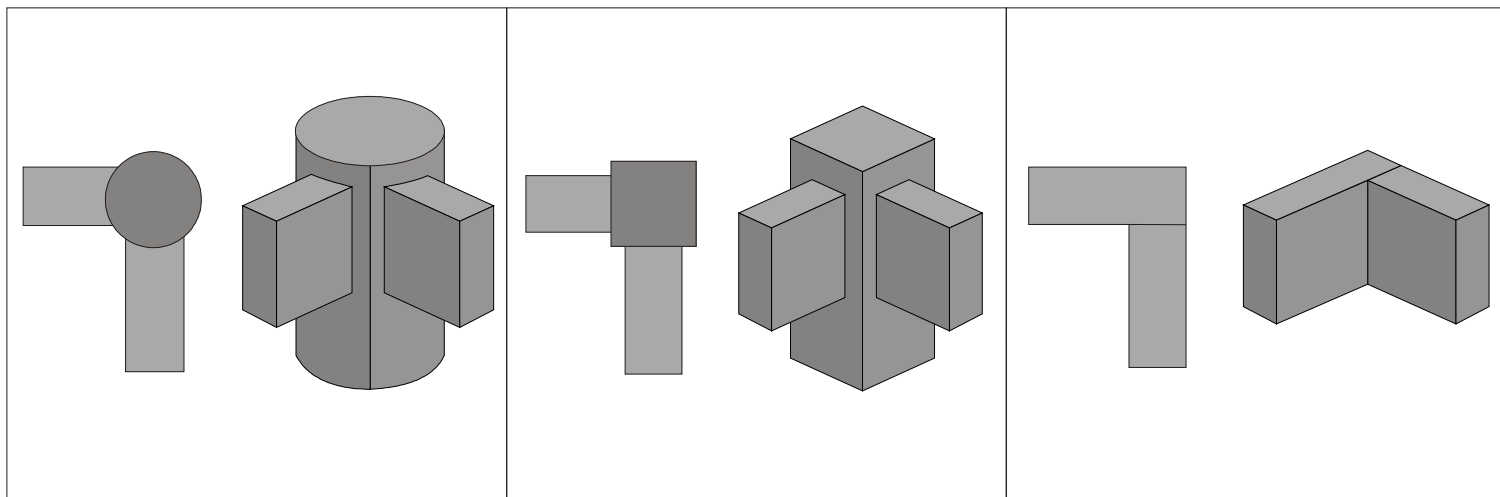


Balcony / Railing

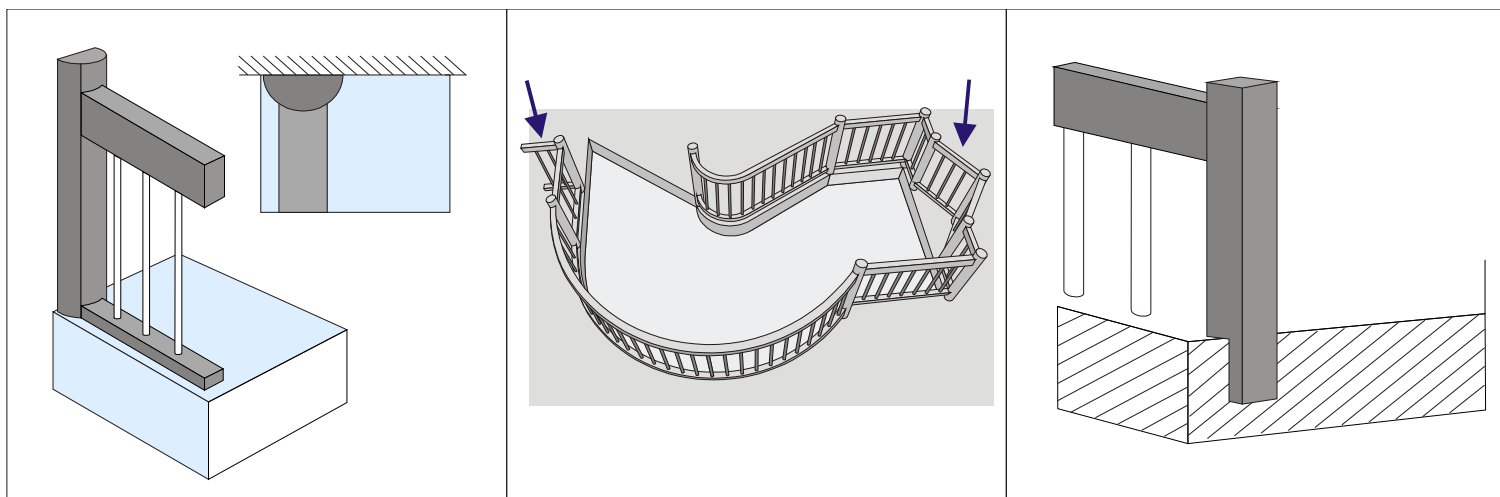


Version CAD-ND-Plus

Balcony / Connection

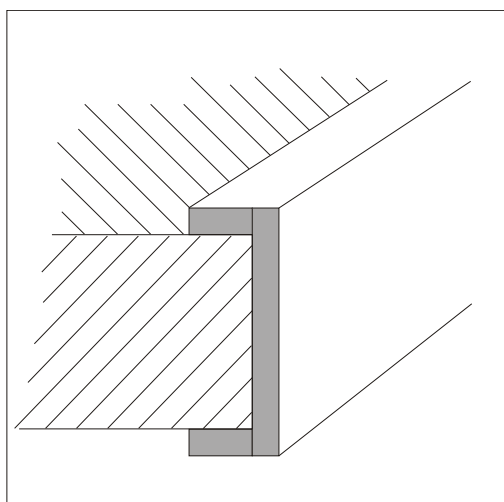
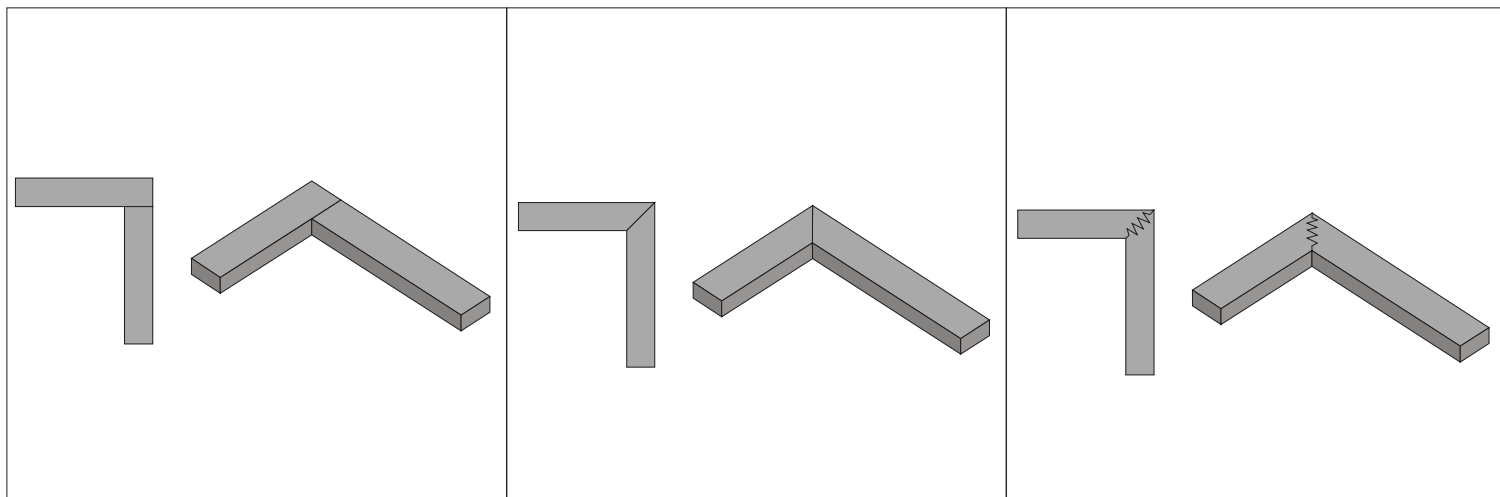


Balcony / Details

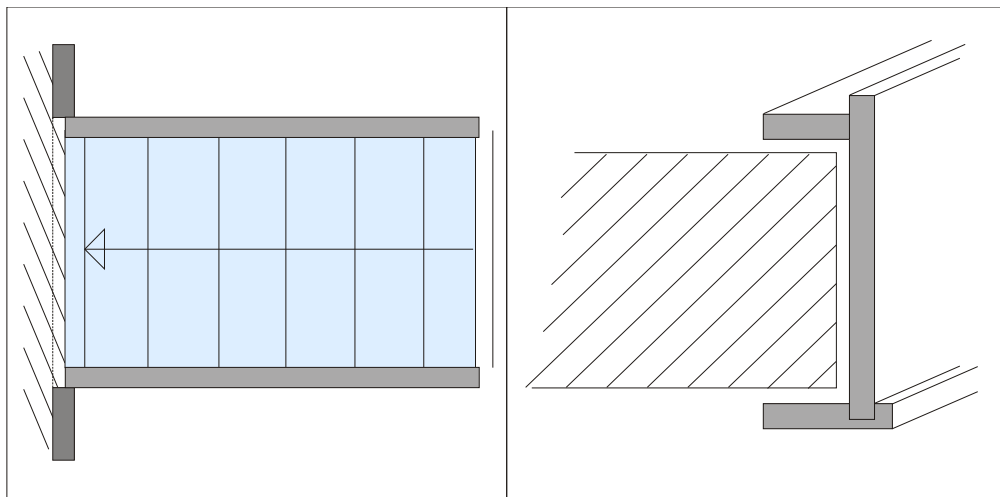


Version CAD-ND-Plus

Facia / Connection



Facia / Details





Compass Software

Software for staircase manufacturing

Version CAD-ND-Plus

CAD ND Plus **- TVU-No. ND0510 -**

Important!

The 3D pictures shown on several pages are only given for clarity. The 3D is not part of the standard construction program and only possible with the option 3D-Plus.

Reprinting, copying or storing of this program description or parts of it on electronic data-processing devices is not allowed. A translation, however, is allowed, but only with the explicit permission of CS.

Patented names or product names in this program description may be subject to legal protection of copyright and trademarks.

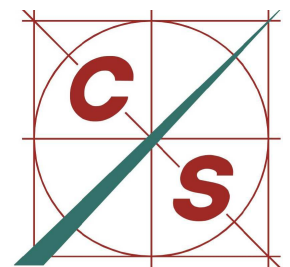
Compass Software GmbH

Steinhammerstr. 140 a
44379 Dortmund

Tel.: +49 (0) 2 31 98 12 90-0
Fax: +49 (0) 2 31 98 12 90-10

Web: www.compass-software.de
Mail: mail@compass-software.de

© Compass Software GmbH 2009
All rights reserved



Compass Software